

1

2

3

4

A

A

B

B

C

C

D

D

U_part1
part1.SchDoc



U_part2
part2.SchDoc



zhaoliang0801@gmail.com

Title			Periphery for EP2C5		
Size	Number	Revision			
A4	DB zliang				
Date:	2008-4-26	Sheet	of		
File:	C:\Documents and Settings\...\Periphery.SchDoc				
Drawn By:					

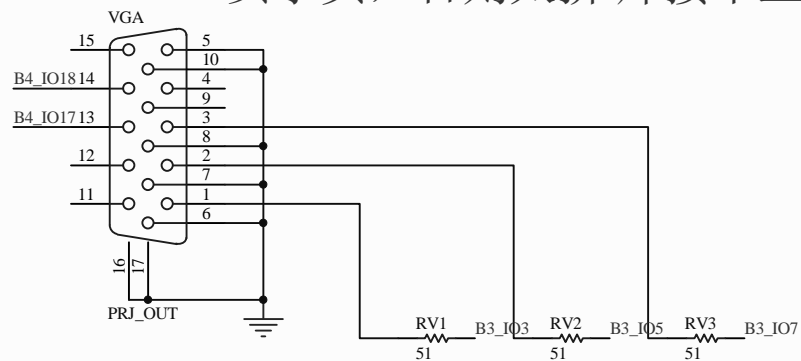
1

2

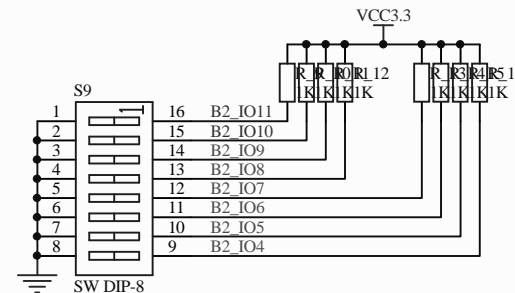
3

4

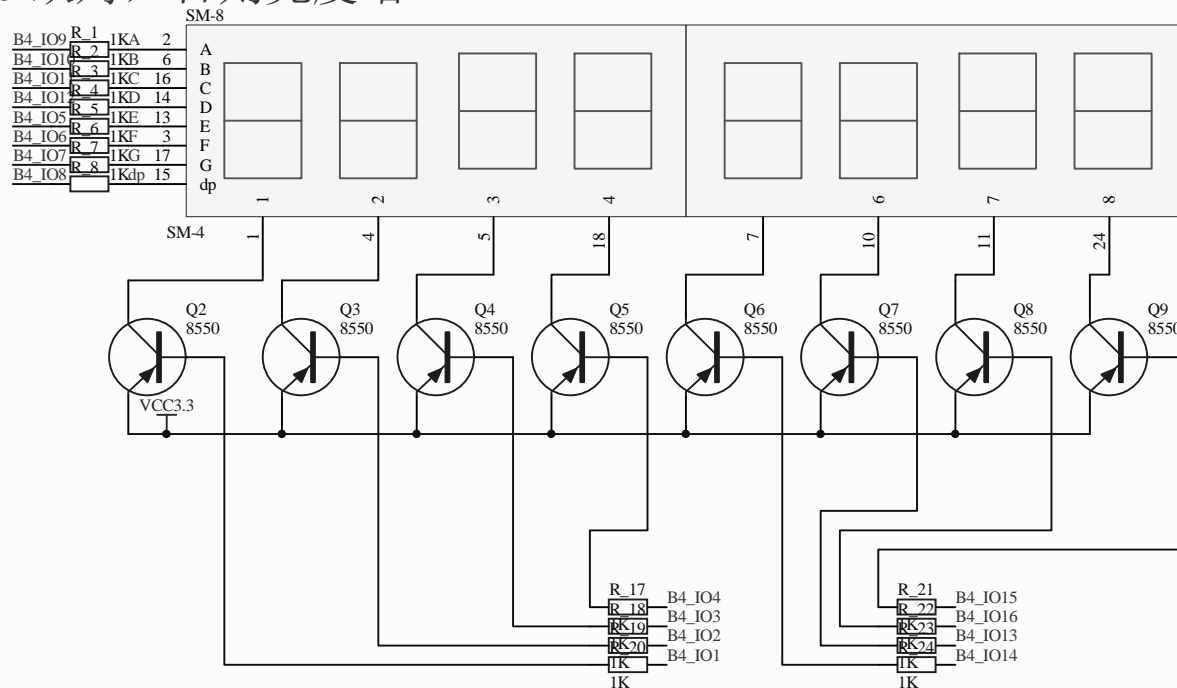
买小头，否则太挤 焊接不上



上拉电阻 10k

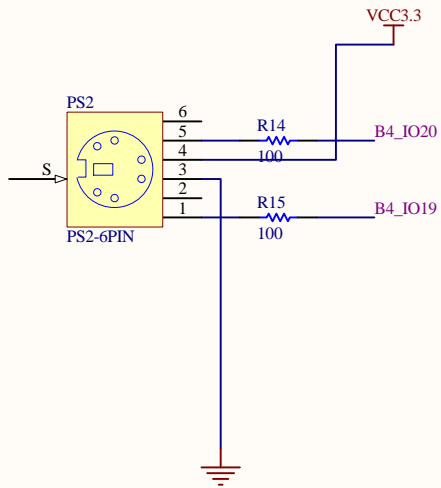
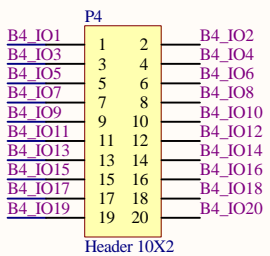
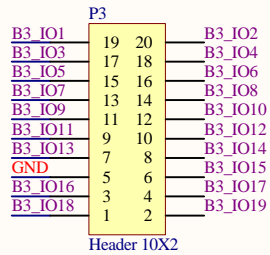
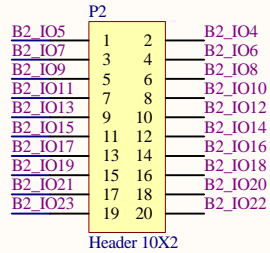
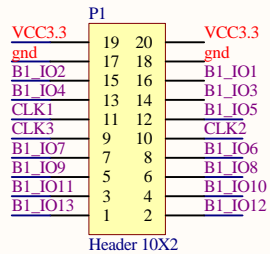


限流电阻 100 欧姆，否则亮度暗

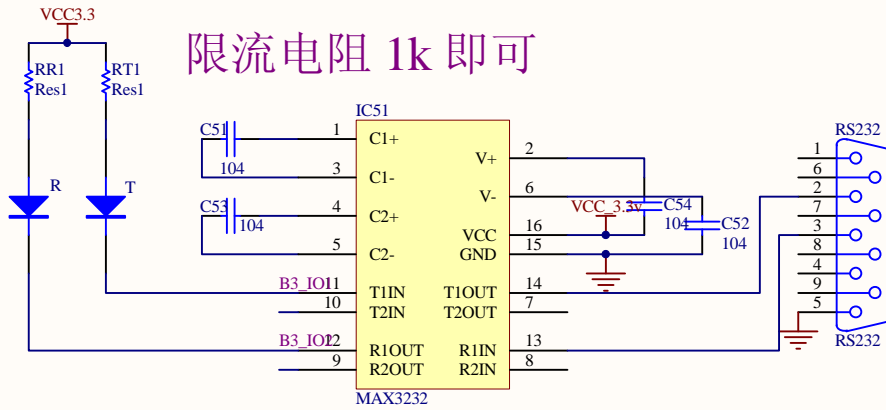


基极电阻 10k

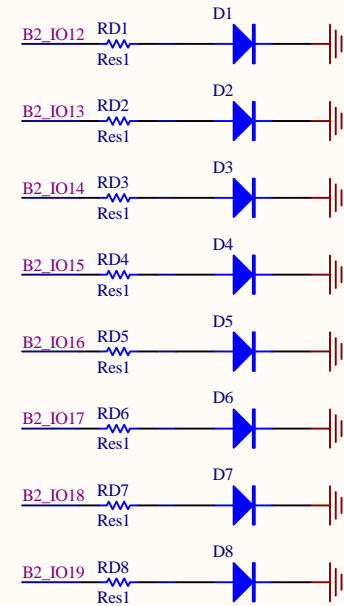
Title			Part2 of Periphery
Size	Number	Revision	
A4	DB zliang		
Date:	2008-4-26	Sheet of	
File:	C:\Documents and Settings\...\part2.SchDoc	Drawn By:	



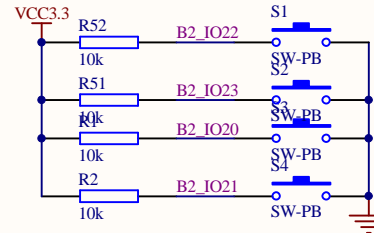
限流电阻 1k 即可



限流电阻 1k 即可



上拉电阻 10k



Title			Part1 of Periphery
Size	Number	Revision	
A4	DB zliang		
Date:	2008-4-26	Sheet of	
File:	C:\Documents and Settings\...\part1.SchDoc	Drawn By:	