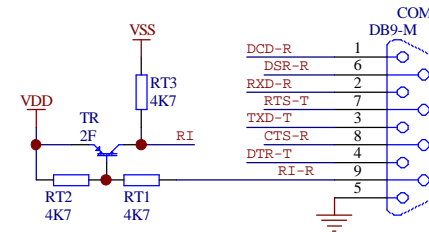
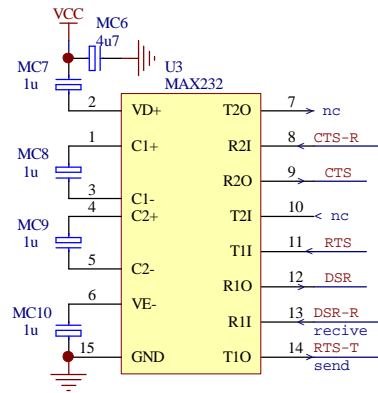
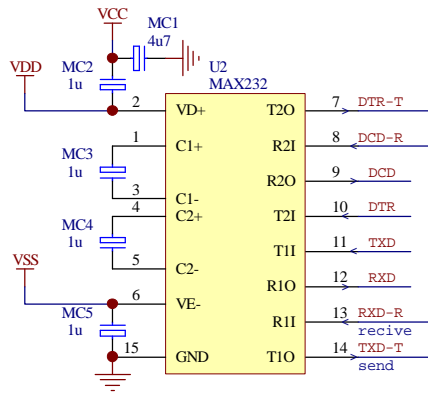


对于MAX232, The point is MCU -- PL2303



Title		
PL2303:USBto232ALL		
Size	Number	Revision
A4	PL2303-UART.sch	20080317_new 20070420
Date:	17-Mar-2008	Sheet of
File:	E:\PT\Temp\2303UARTsch.DDB	Drawn By: fhw

RC=0603