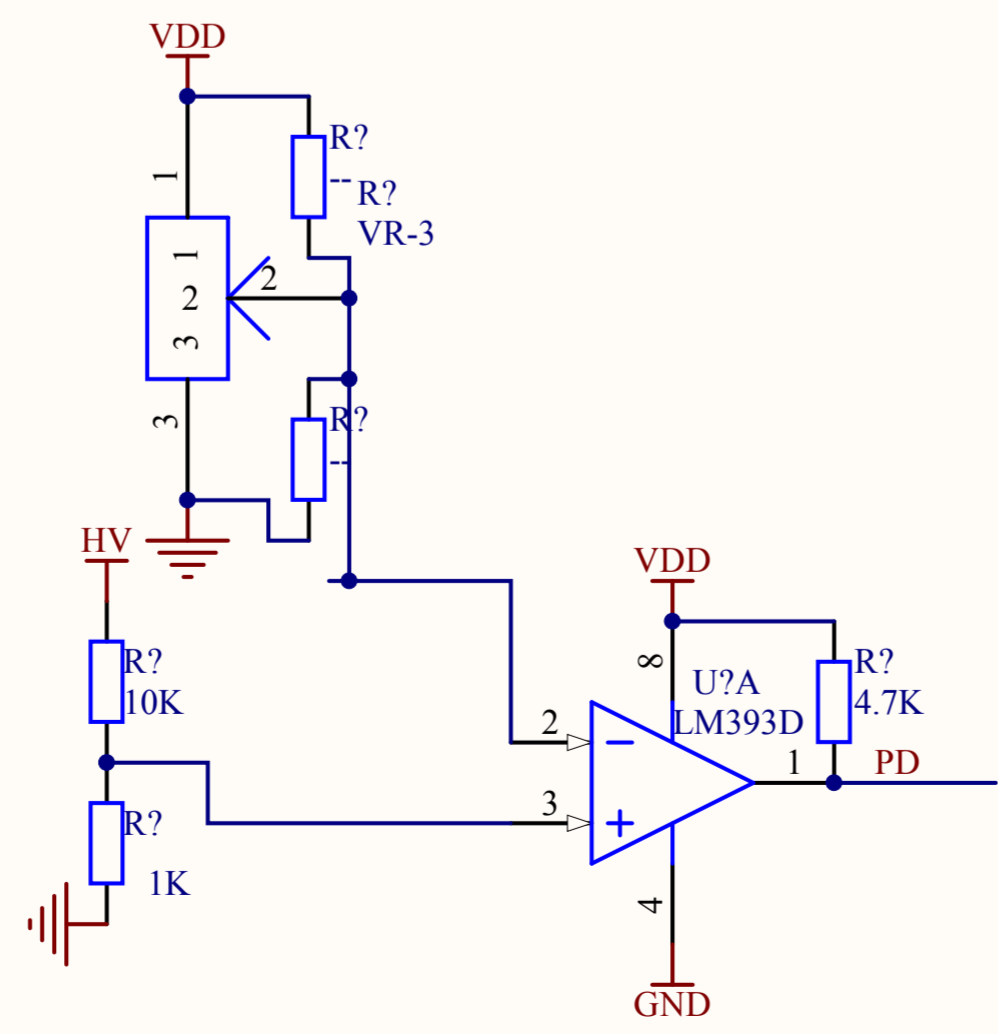
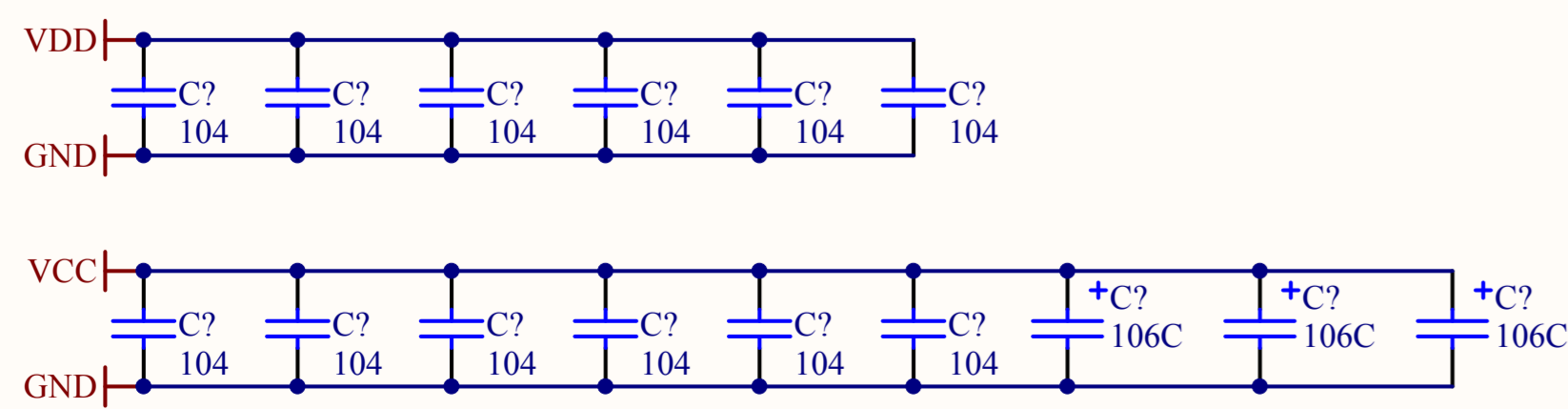
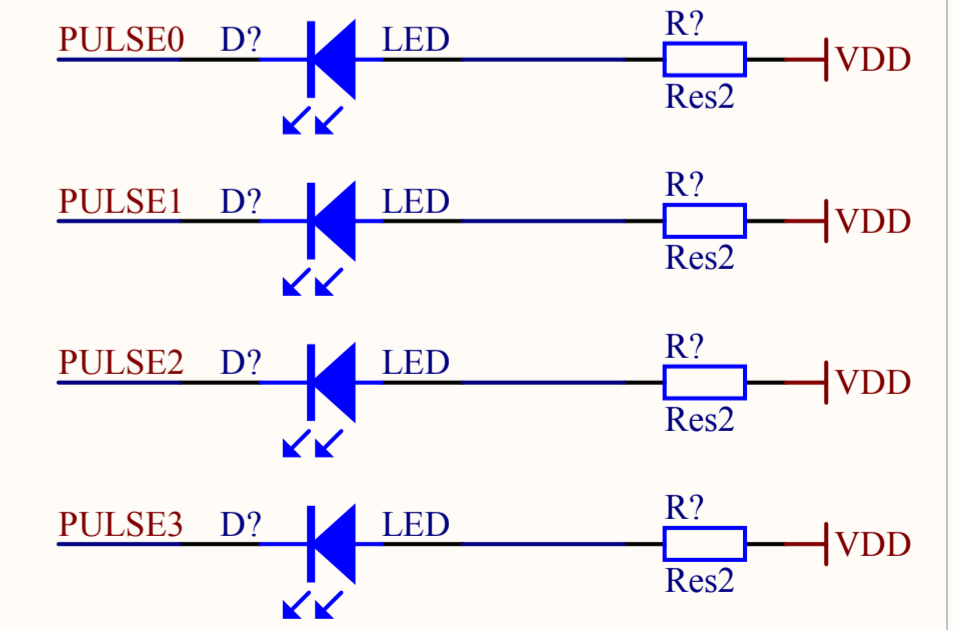
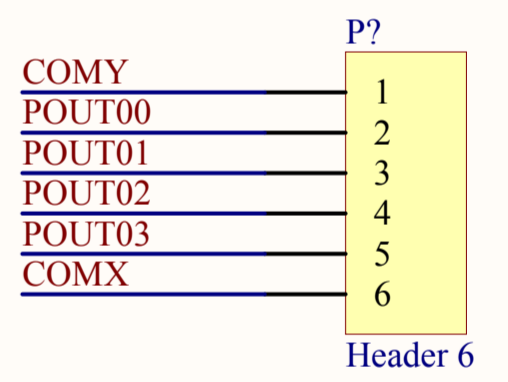
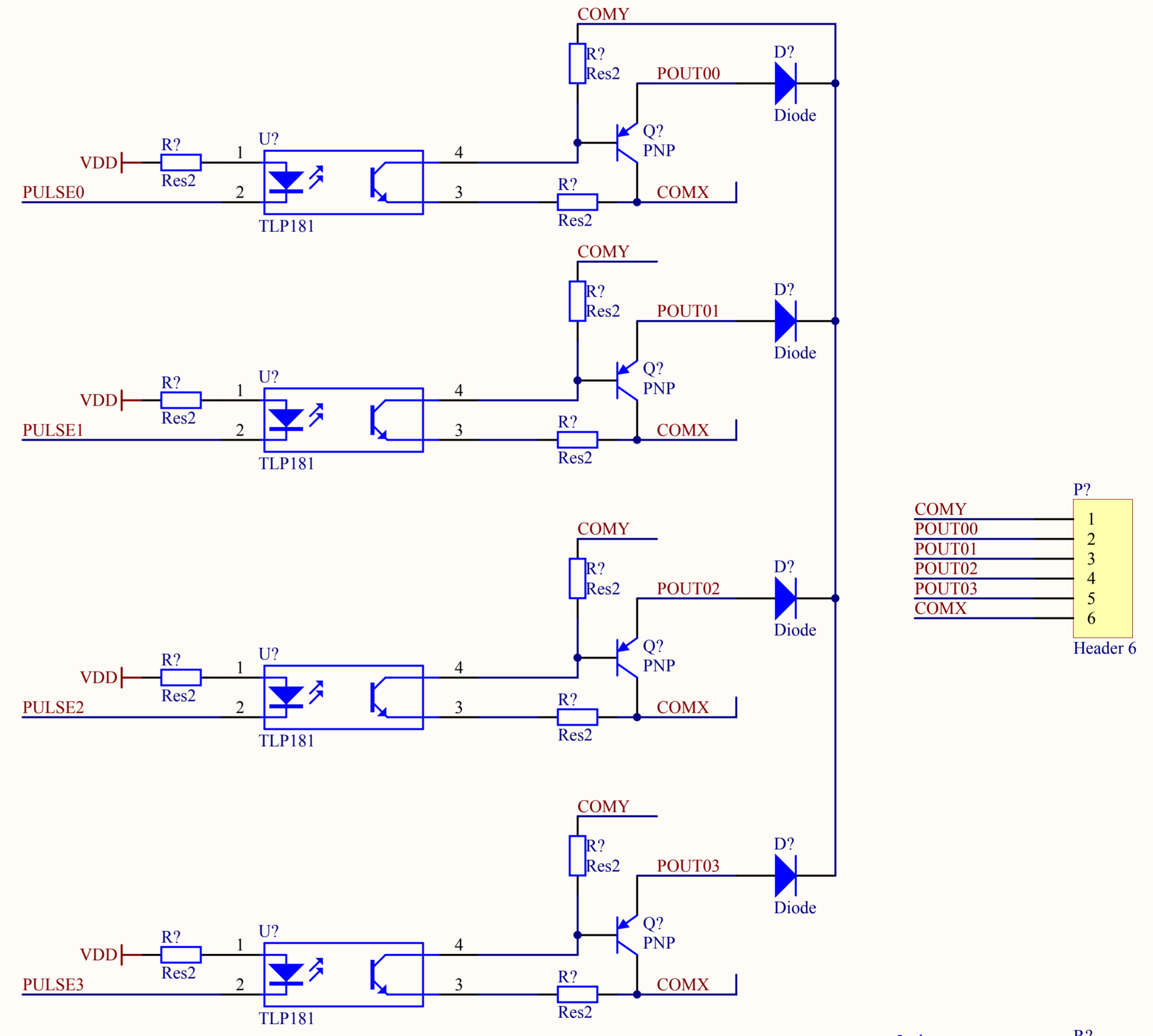
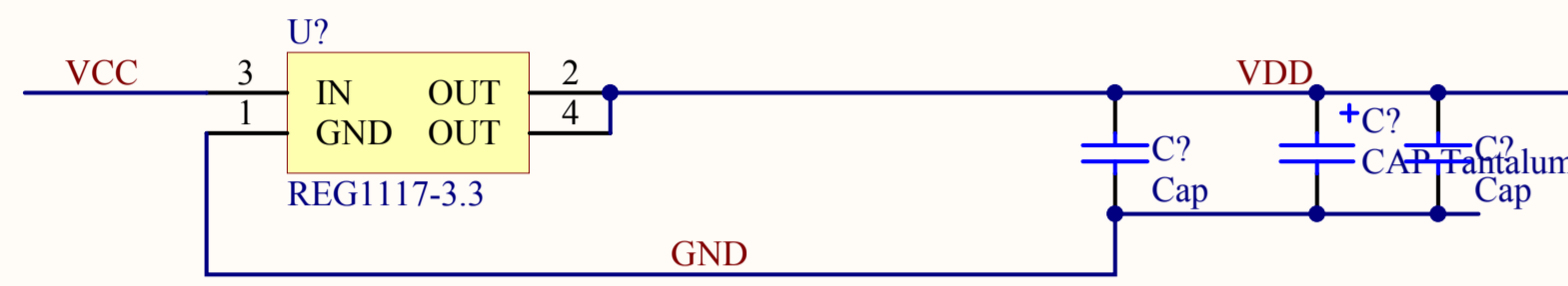
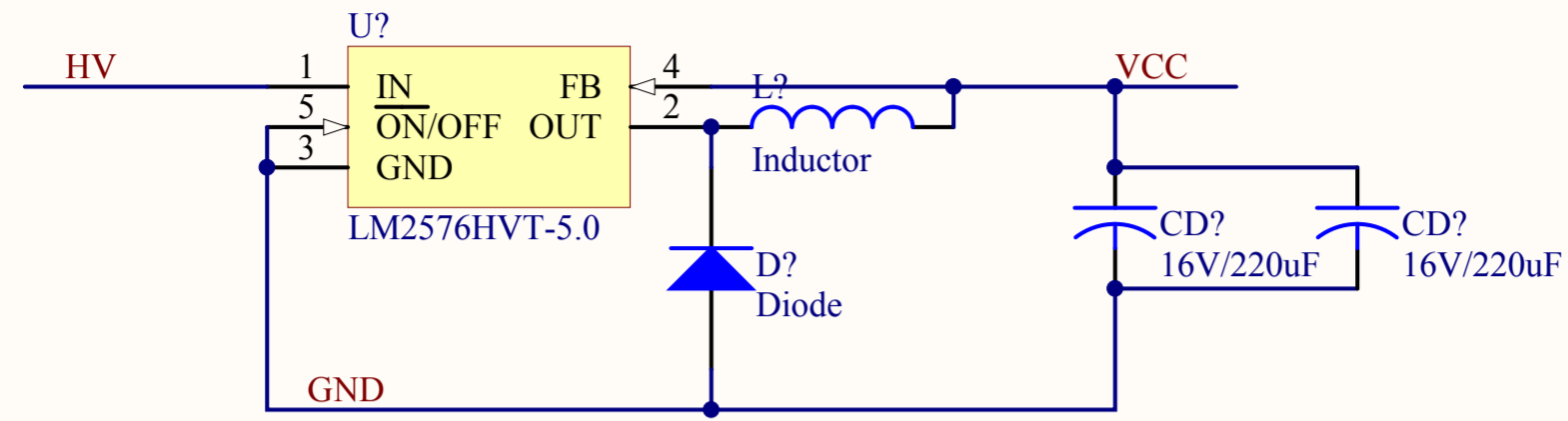
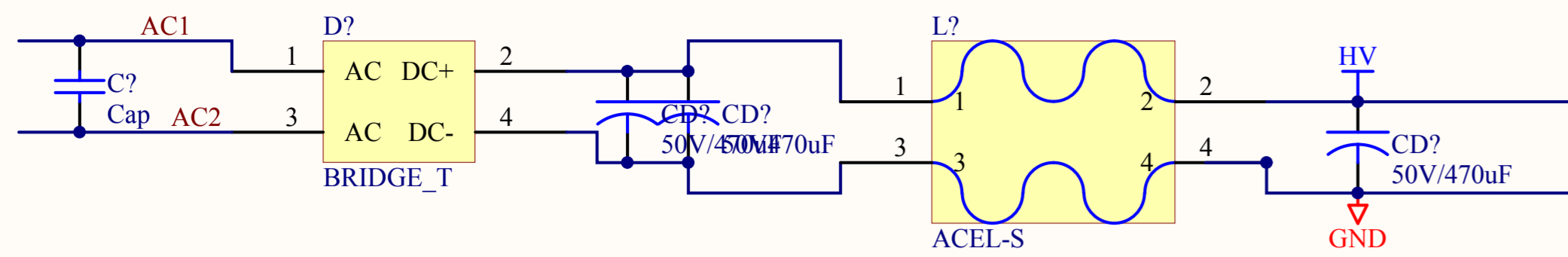
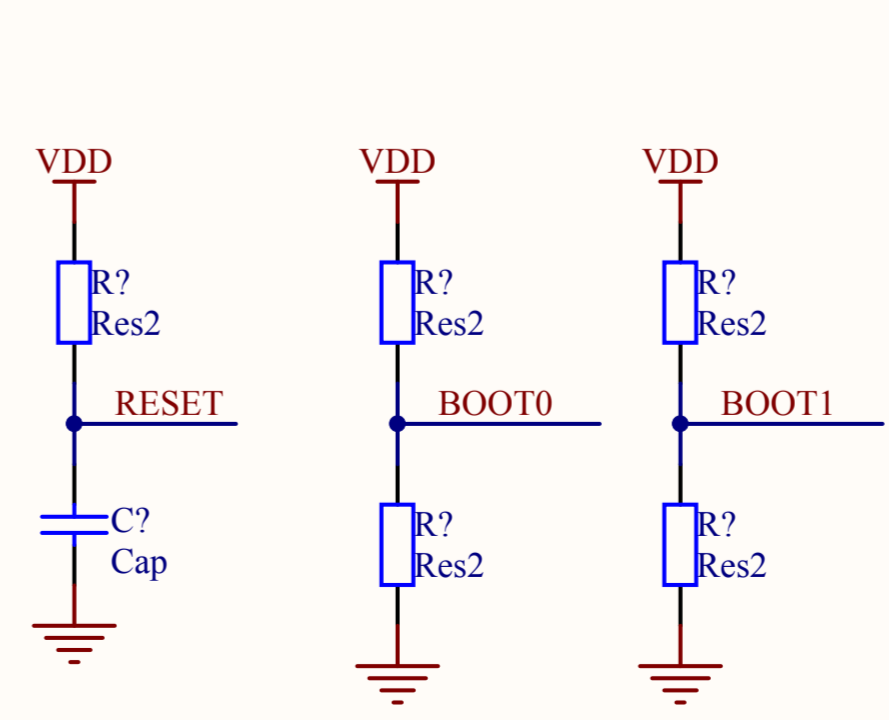
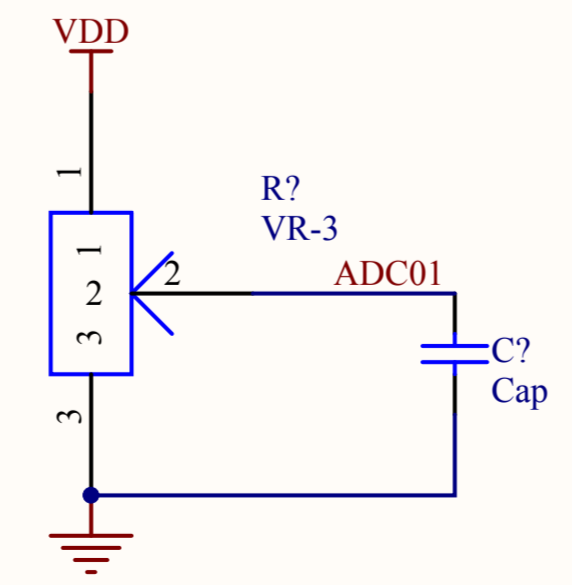
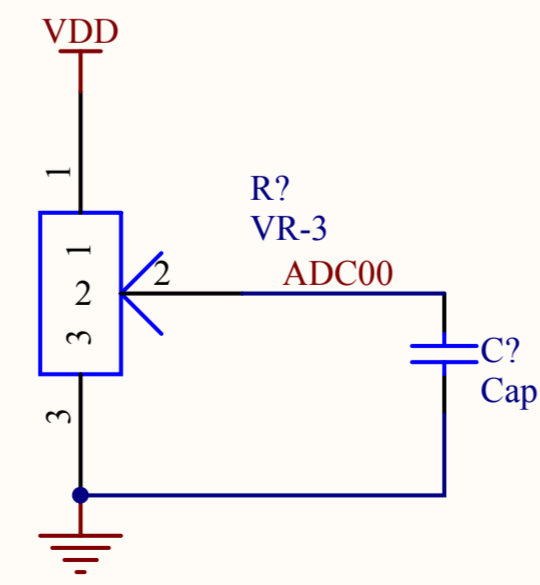
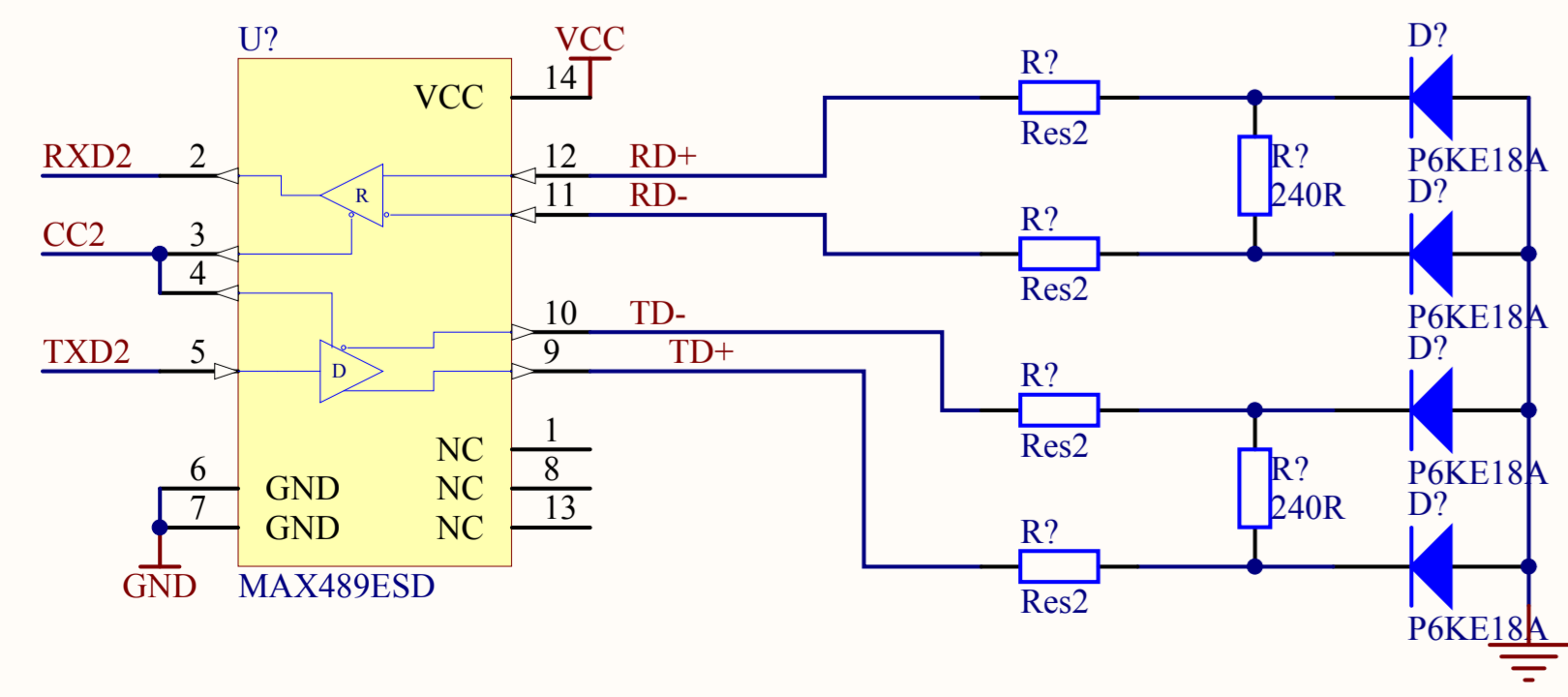
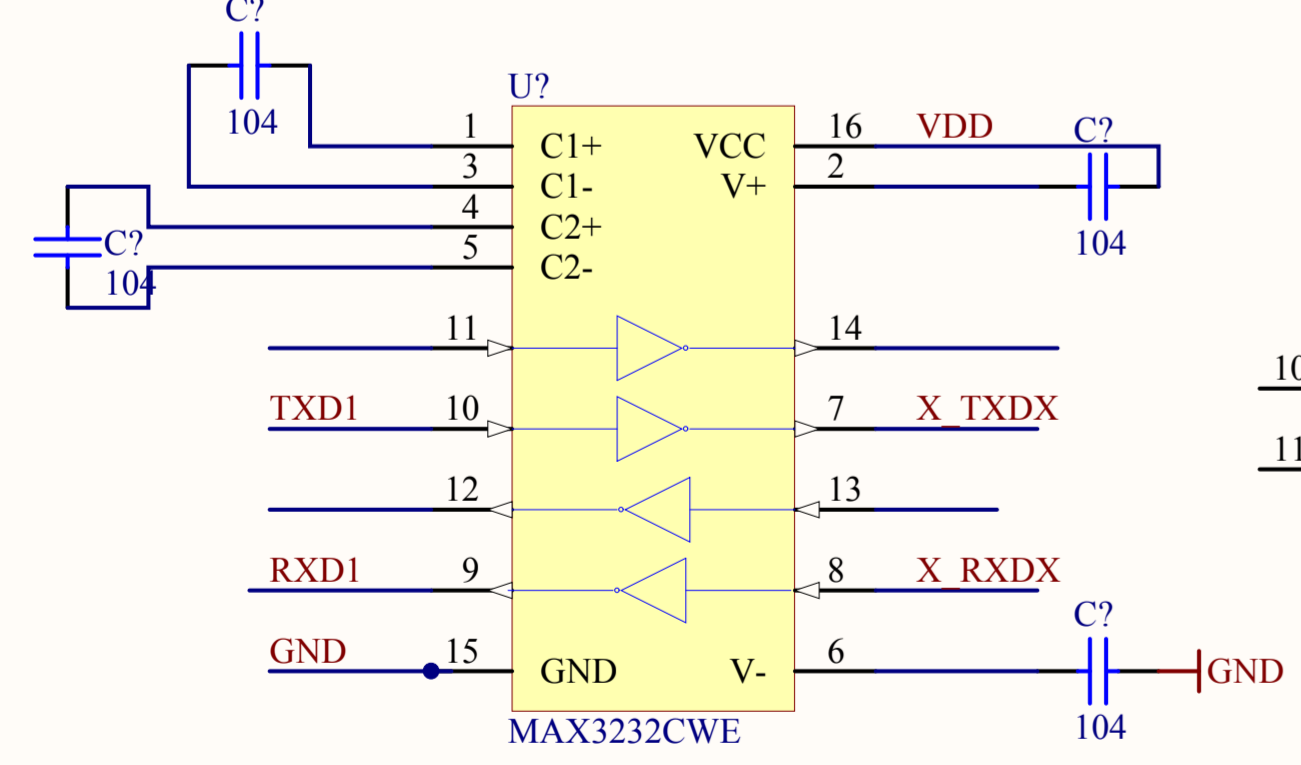
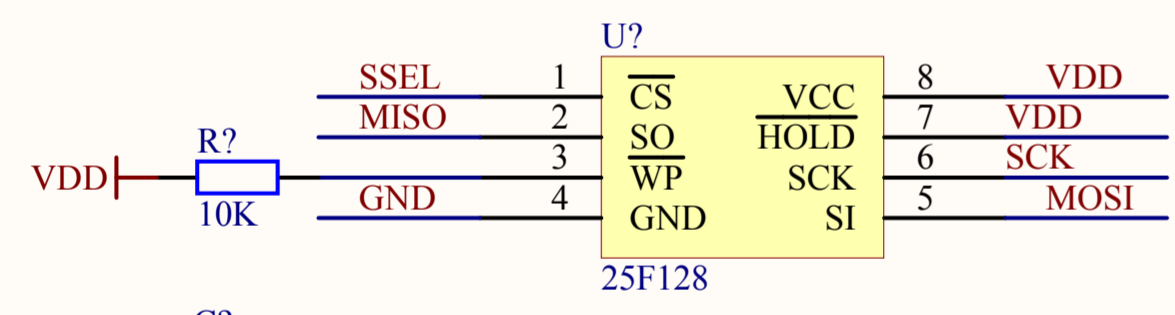
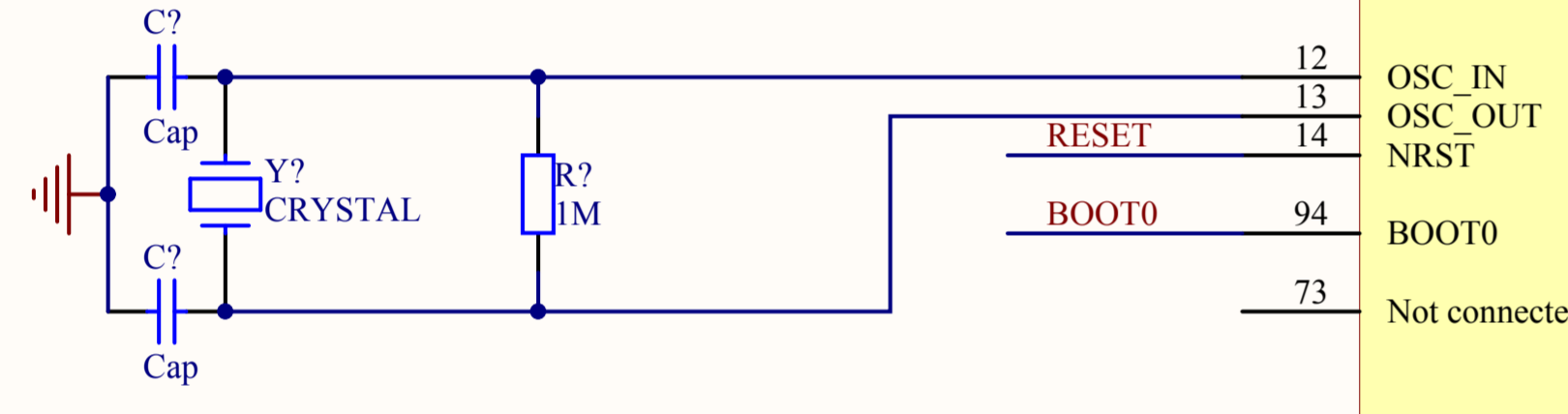
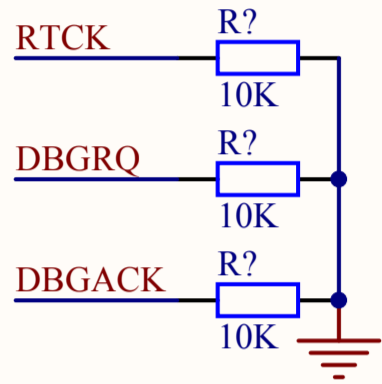
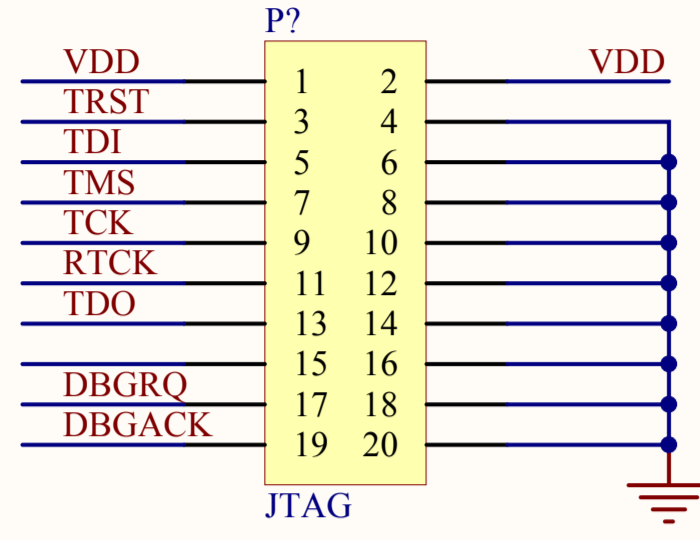


Title		
Size	Number	Revision
A3		
Date:	2008-4-17	Sheet of
File:	C:\Documents and Settings\...IO.SCH	Drawn By:

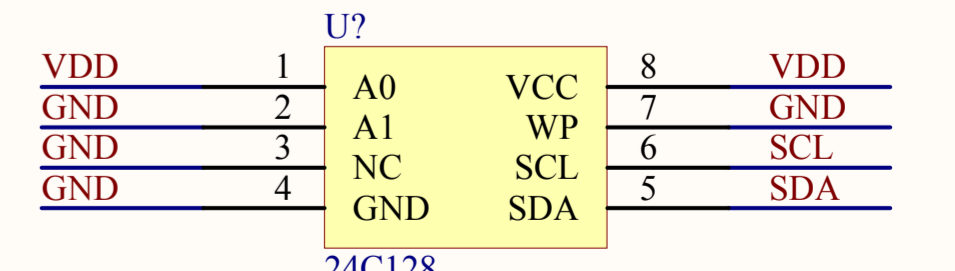
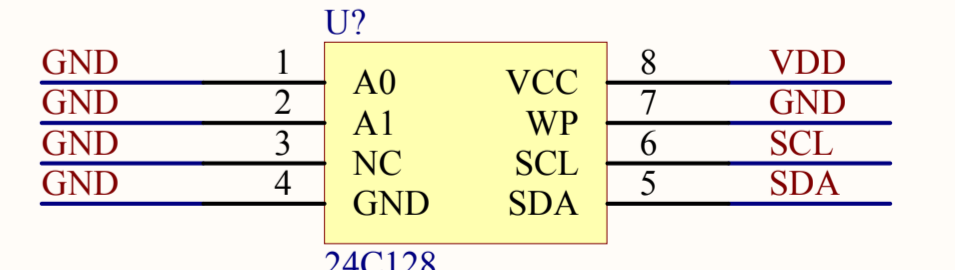
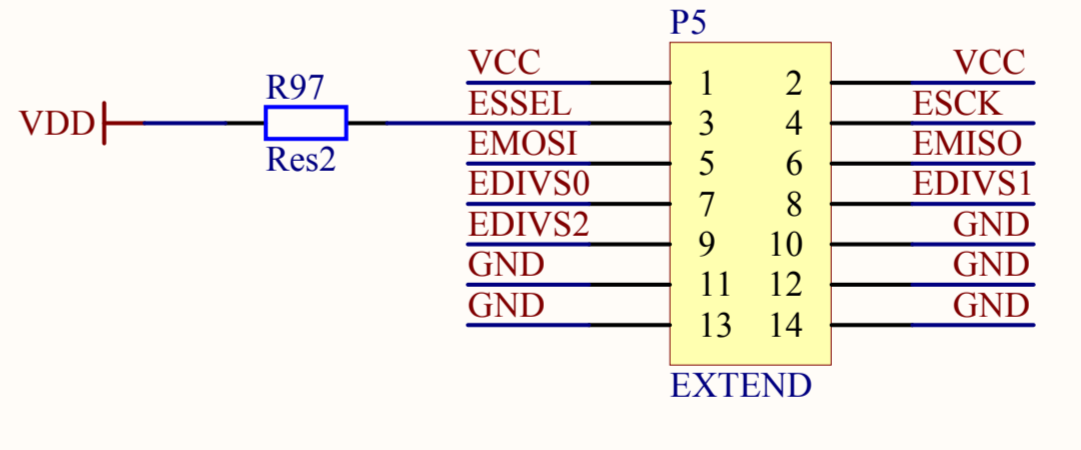
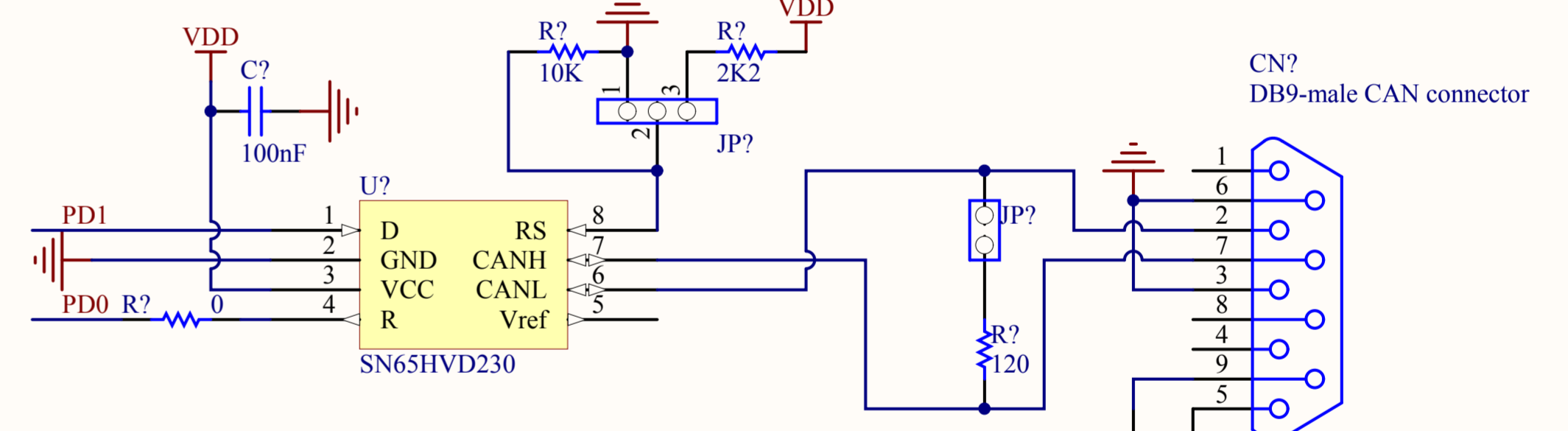
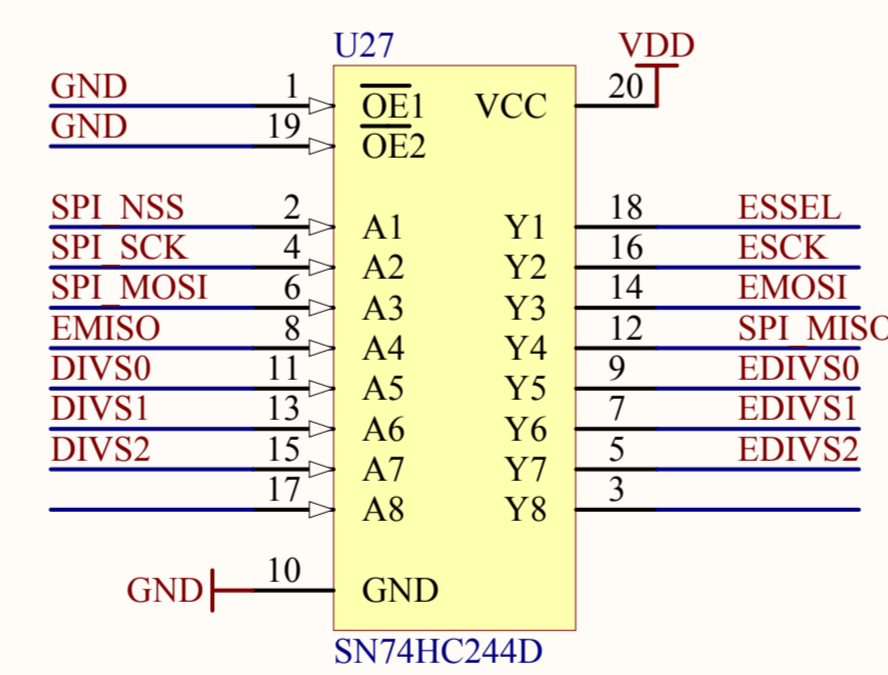
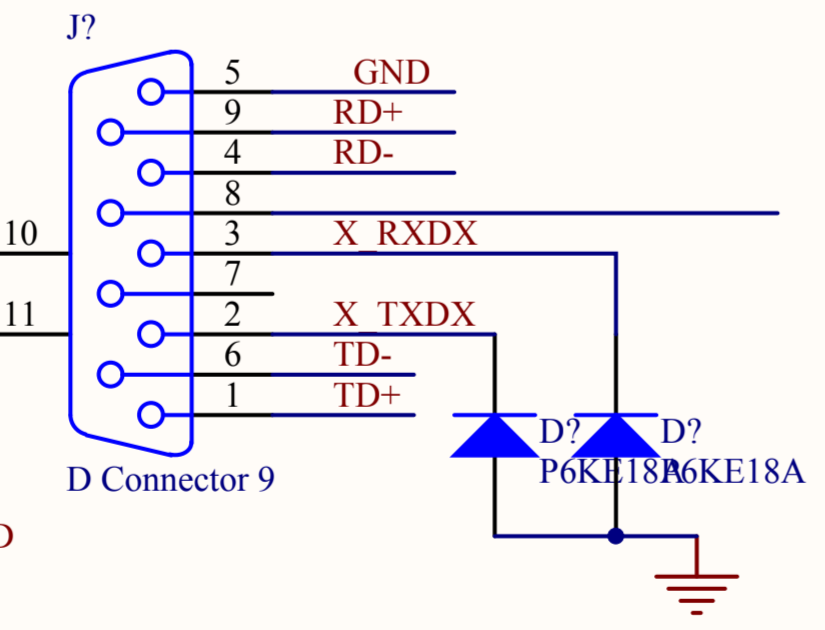


Title		
Size	Number	Revision
A3		
Date:	2008-4-17	Sheet of
File:	C:\Documents and Settings\...power.SCH	Drawn By:



CC2	23	PA0-WKUP/USART2_CTS/ADC_IN0/TIM2_CH1_ETR	PC15-OSC32_OUT	9
TXD2	24	PA1/USART2_RTS/ADC_IN1/TIM2_CH2	PC14-OSC32_IN	8
RXD2	25	PA2/USART2_TX/ADC_IN2/TIM2_CH3	PC13-ANTI_TAMP	7
SPI_NSS	26	PA3/USART2_RX/ADC_IN3/TIM2_CH4	PC12	80
SPI_SCK	29	PA4/SPI1_NSS/USART2_CK/ADC_IN4	PC11	79
SPI_MISO	30	PA5/SPI1_SCK/ADC_IN5	PC10	78
SPI_MOSI	31	PA6/SPI1_MISO/ADC_IN6/TIM3_CH1	PC9	66
PA8	67	PA7/SPI1_MOSI/ADC_IN7/TIM3_CH2	PC8	65
TXD1	68	PA8/USART1_CK/TIM1_CH1/MCO	PC7	64
RXD1	69	PA9/USART1_TX/TIM1_CH2	PC6	63
PA11	70	PA10/USART1_RX/TIM1_CH3	PC5/ADC_IN15	34
PA12	71	PA11 / USART1_CTS/CANRX / USBDM (2)/TIM1_CH4	PC4/ADC_IN14	33
TMS	72	PA12 / USART1_RTS/CANTX / USBDP (2)/TIM1_ETR	PC3/ADC_IN13	18
TCK	76	PA13/JTMS-SWDAT	PC2/ADC_IN12	17
TDI	77	PA14/JTCK-SWCLK	PC1/ADC_IN11	16
		PA15/JTDI	PC0/ADC_IN10	15
ADC00	35		PD15	62
BOOT1	36	PB0/ADC_IN8/TIM3_CH3	PD14	60
TDO	89	PB1/ADC_IN9/TIM3_CH4	PD13	60
TRST	90	PB2 / BOOT1	PD12	59
		PB3/JTDO	PD11	58
SCL	92	PB4/JTRST	PD10	57
SDA	93	PB5/I2C1_SMBA1	PD9	56
		PB6/I2C1_SCL/TIM4_CH1	PD8	55
		PB7/I2C1_SDA/TIM4_CH2	PD7	88
		PB8/TIM4_CH3	PD6	87
		PB9/TIM4_CH4	PD5	86
		PB10/I2C2_SCL/USART3_TX	PD4	85
		PB11/I2C2_SDA /USART3_RX	PD3	84
		PB12/SPI2_NSS /I2C2_SMBA1/USART3_CK /TIM1_BKIN	PD2/TIM3_ETR	83
		PB13/SPI2_SCK /USART3_CTS /TIM1_CH1N	PD1	82
		PB14/SPI2_MISO /USART3_RTS /TIM1_CH2N	PD0	81
		PB15/SPI2_MOSITIM1_CH3N		
			PE15	46
			PE14	45
			PE13	44
			PE12	43
			PE11	42
			PE10	41
			PE9	40
			PE8	39
			PE7	38
			PE6	5
			PE5	4
			PE4	3
			PE3	2
			PE2	1
			PE1	98
			PE0/TIM4_ETR	97

STM32F103VBH6



Title		
Size	Number	Revision
A3		
Date:	2008-4-17	Sheet of
File:	C:\Documents and Settings\...\Sheet1.SCH	Drawn By: