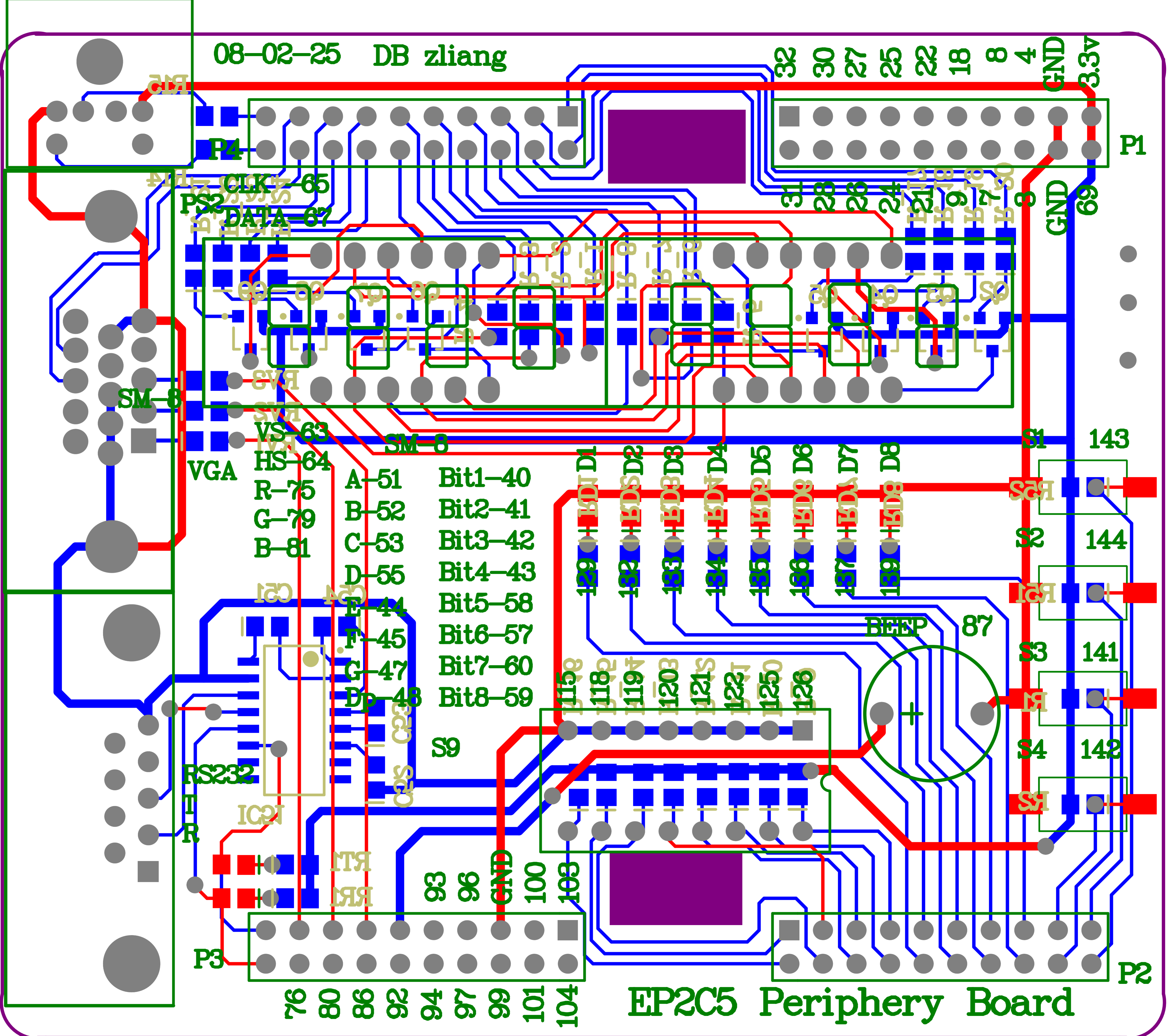


Title		Part1 of Periphery	
Size	Number	DB zliang	
A4		Revision	
Date:	2008-3-27	Sheet of	
File:	C:\Documents and Settings\...\part1.SchDoc Drawn By:		

08-02-25 DB zliang



PS2
CLK 65
DATA 67

VGA
HS 64
R 75
G 79
B 81

RS232

A-51	Bit1-40
B-52	Bit2-41
C-53	Bit3-42
D-55	Bit4-43
E-44	Bit5-58
F-45	Bit6-57
G-47	Bit7-60
Dp-48	Bit8-59

EP2C5 Peripheral Board

P3

P2

P1

76 80 86 92 94 97 99 101 104

32 30 27 25 22 18 8 4 GND 3.3V

GND 69

S1 143

S2 144

S3 141

S4 142

S5

BEEP 87

129 BDI D1
132 BDI D2
133 BDI D3
134 BDI D4
135 BDI D5
136 BDI D6
137 BDI D7
139 BDI D8

1138
1182
1194
1203
1215
1227
1250
126

S9

93 96 GND 100 103

SM-8

SM-8

R12

R11

R10

R9

R8

R7

R6

R5

R4

R3

R2

R1

R12

R11

R10

R9

R8

R7

R6

R5

R4

R3

R2

R1

R12

R11

R10

R9

R8

R7

R6

U_part1
part1.SchDoc

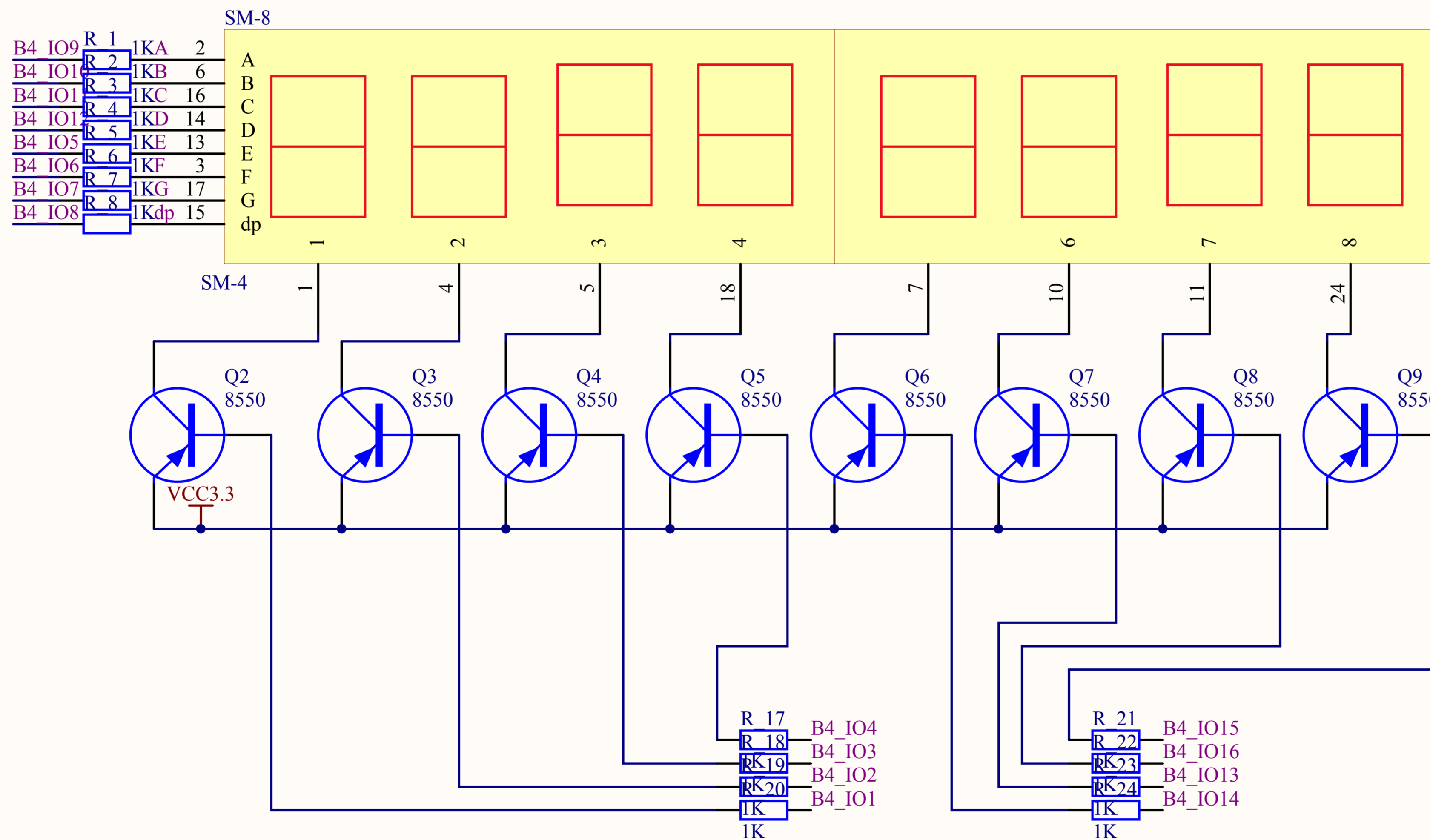
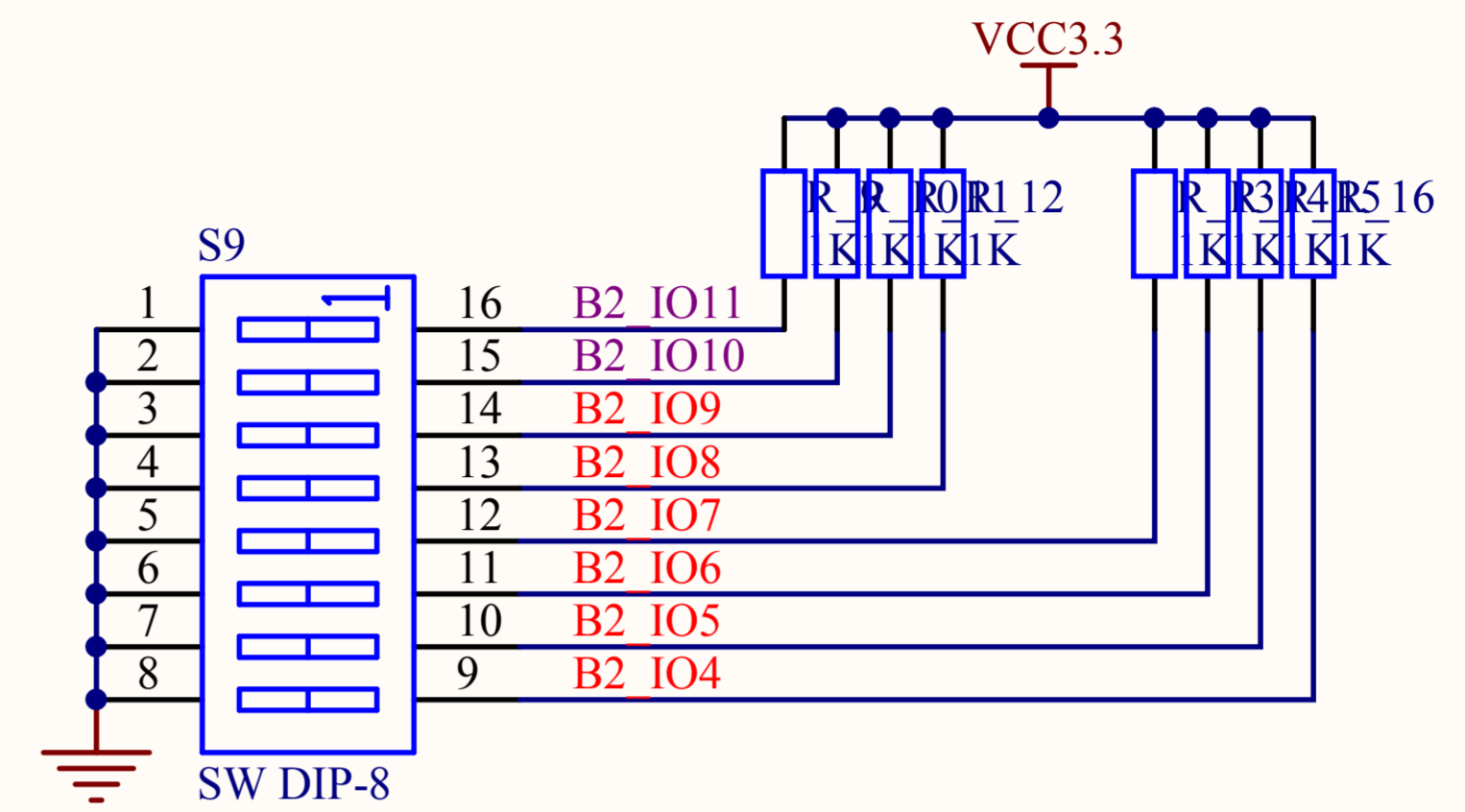
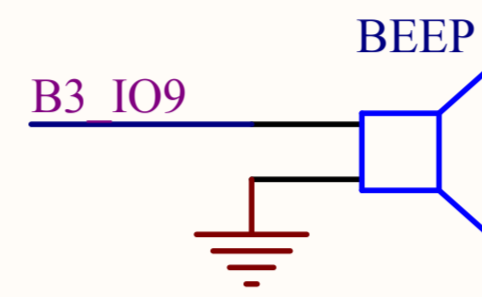
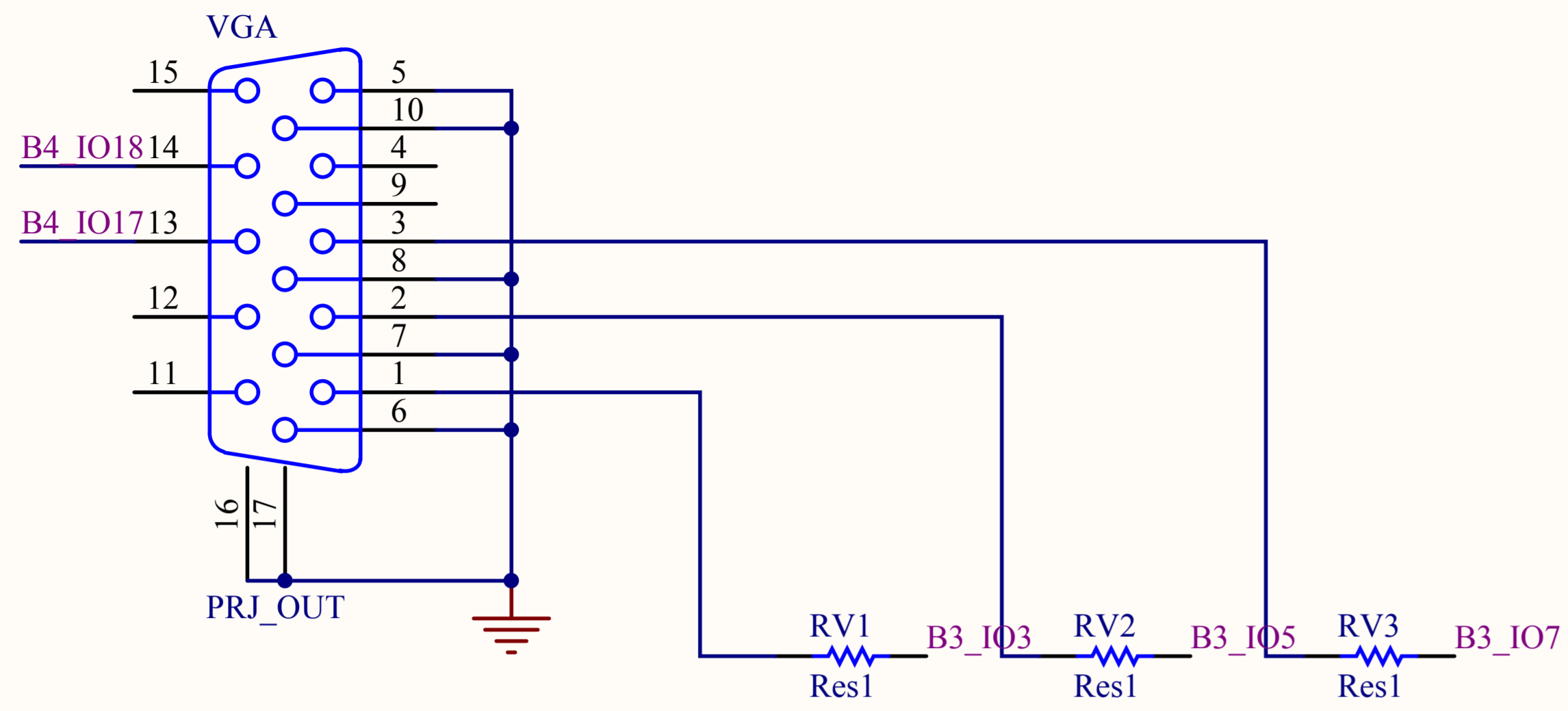


U_part2
part2.SchDoc



zhaoliang0801@gmail.com

Title	Periphery for EP2C5		
Size	Number	Revision	
A4	DB zliang		
Date:	2008-3-27	Sheet of	
File:	C:\Documents and Settings\...\Periphery.SchDoc		
	Down By:		



Title			Part2 of Periphery		
Size	Number		Revision		
A4	DB zliang				
Date:	2008-3-27	Sheet of			
File:	C:\Documents and Settings\...\part2.SchDoc Drawn By:				