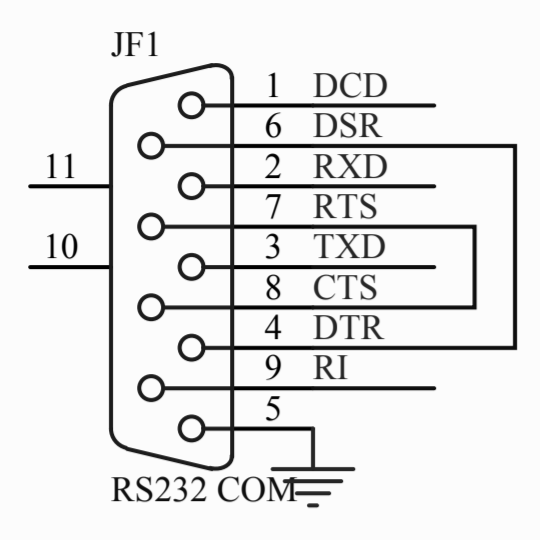
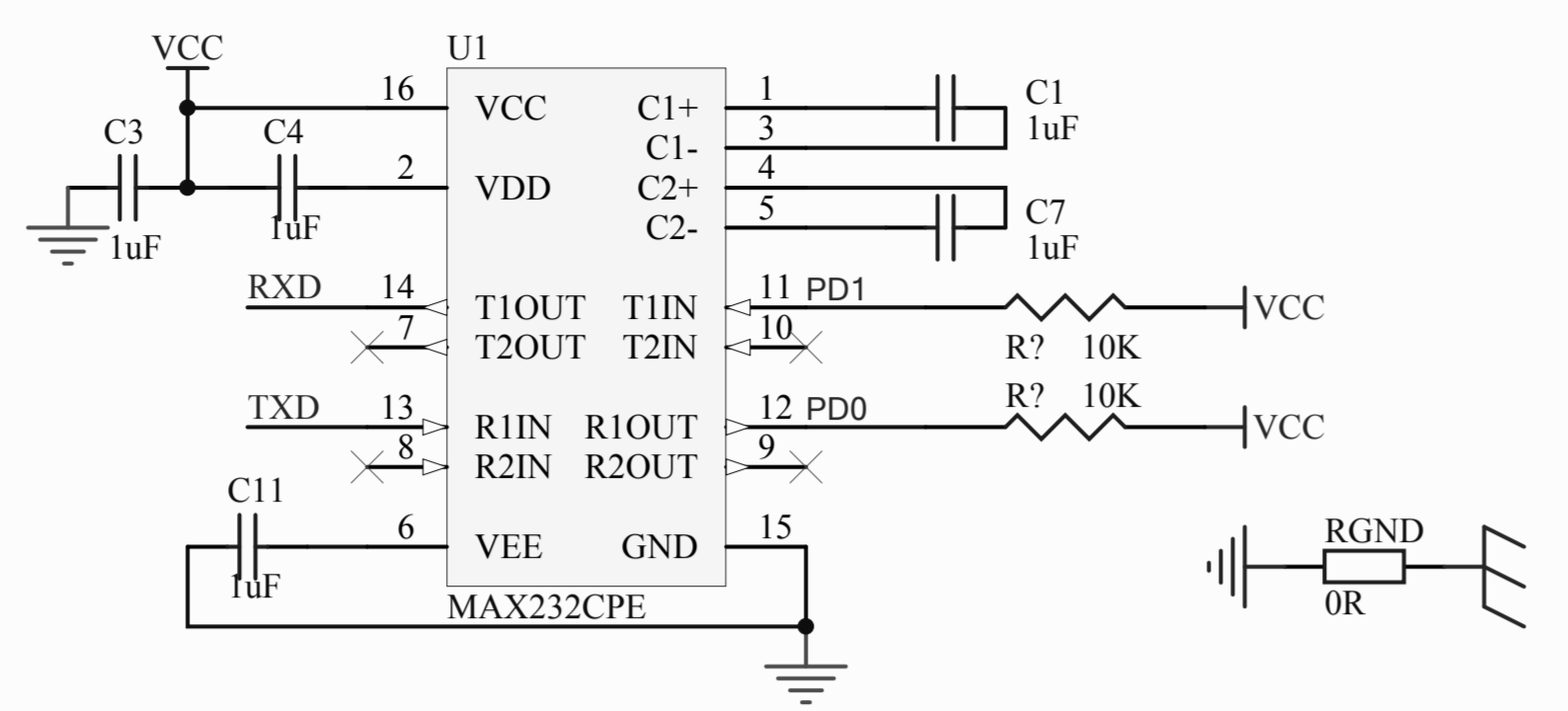


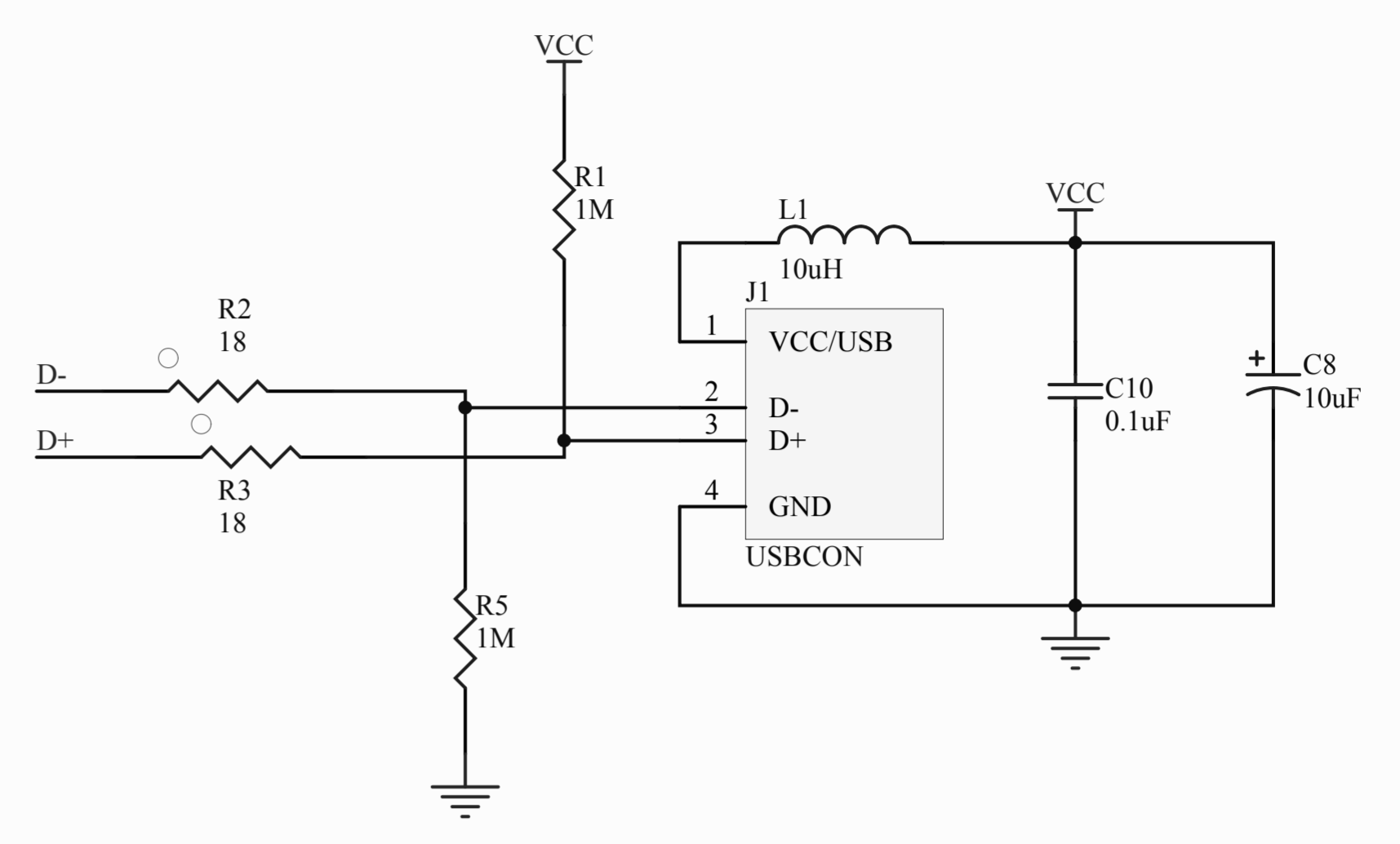
COM CONNECT



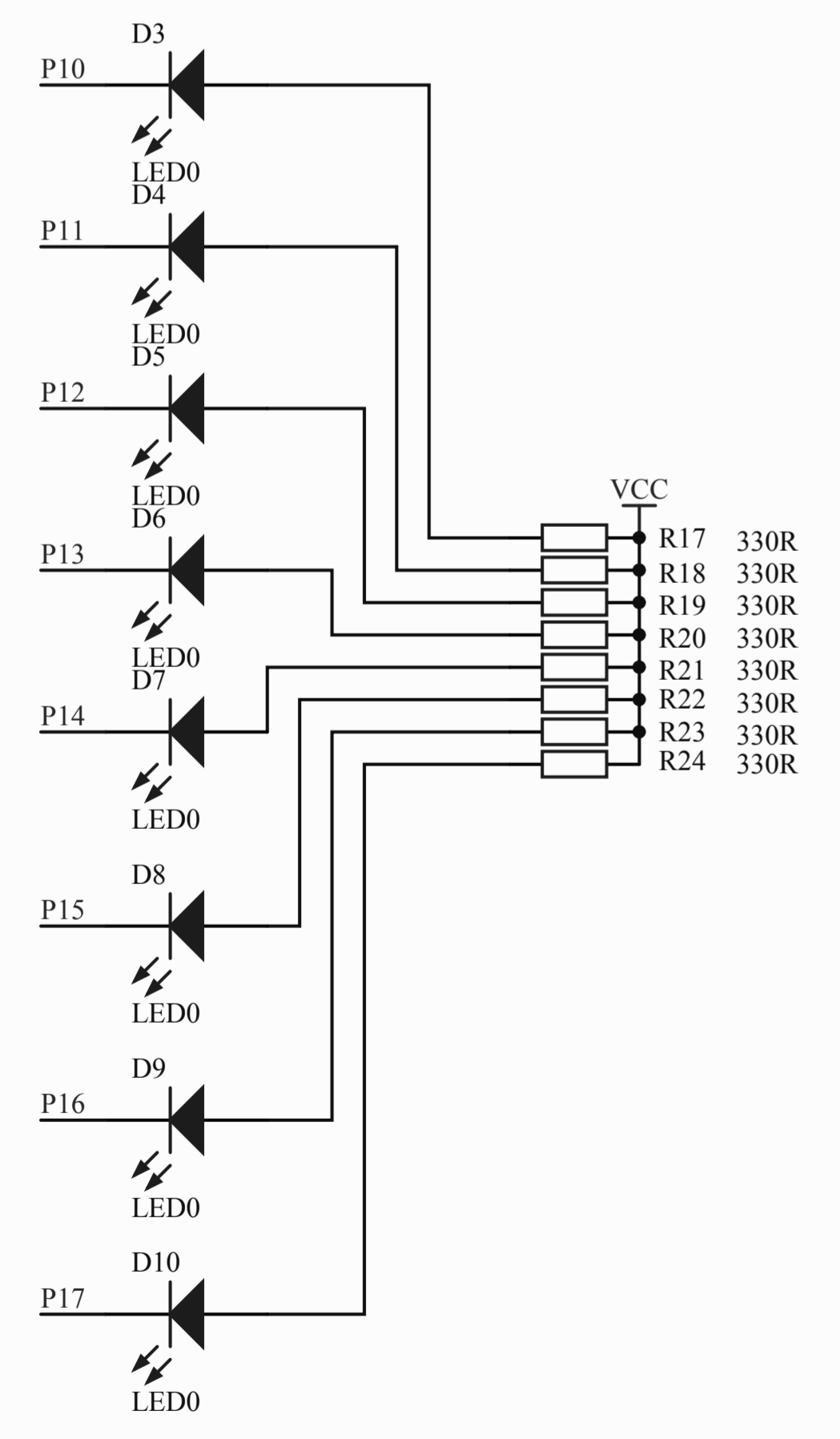
- 1.DCD MCU -> PC
- 2.RXD MCU -> PC
- 3.TXD MCU -> PC
- 4.DTR MCU -> PC
- 5.GND
- 6.DSR MCU -> PC
- 7.RTS MCU -> PC
- 8.CTS MCU -> PC
- 9.RI MCU -> PC



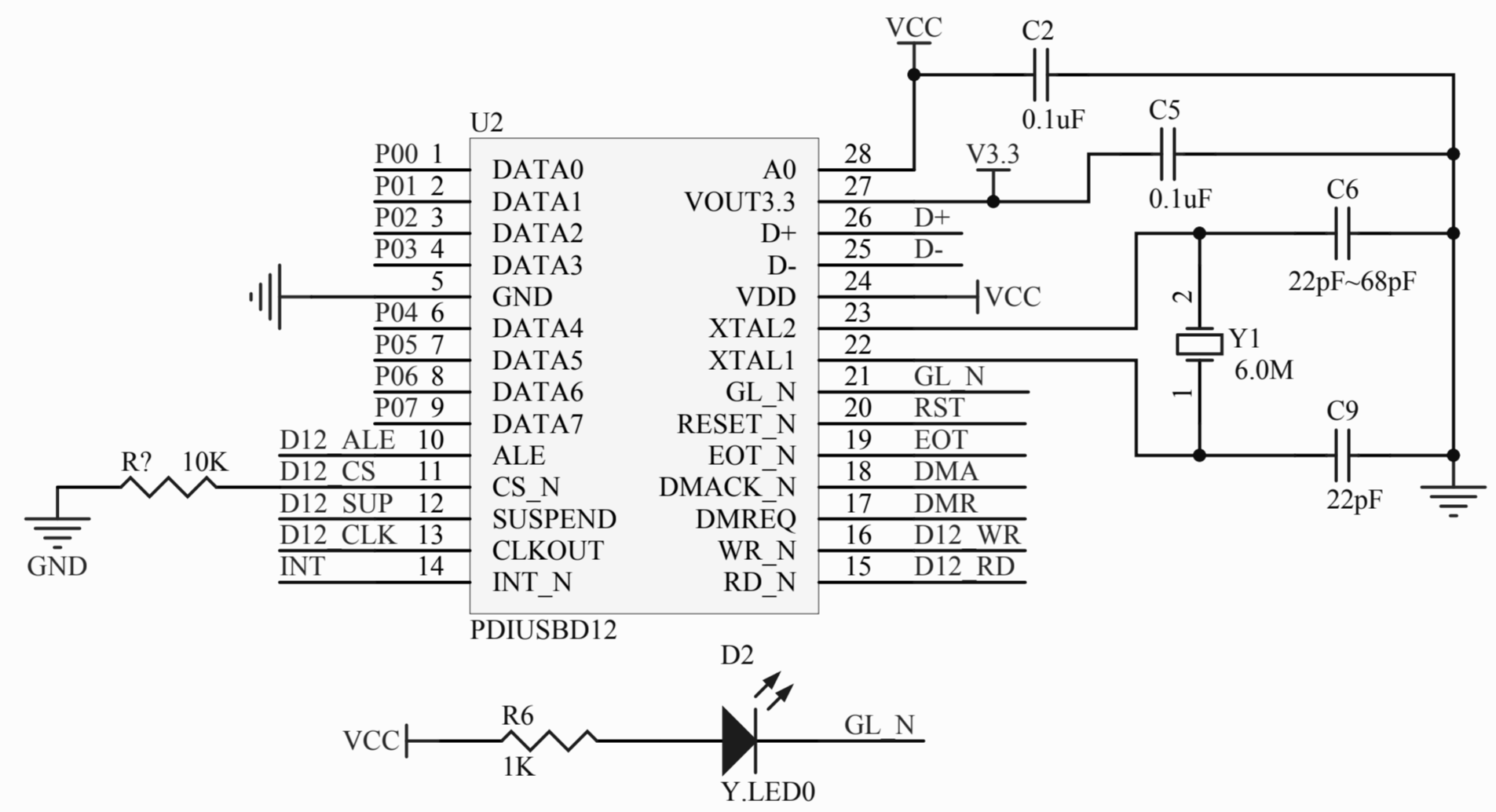
USB CONNECT



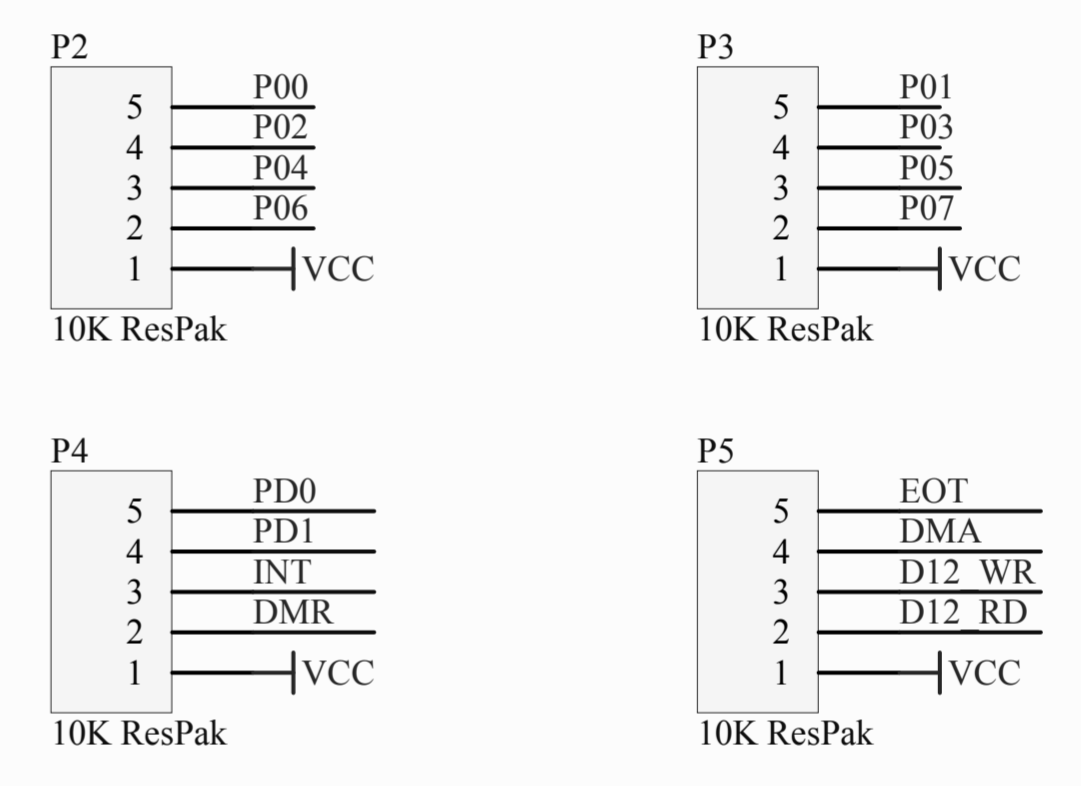
LED ARRAY



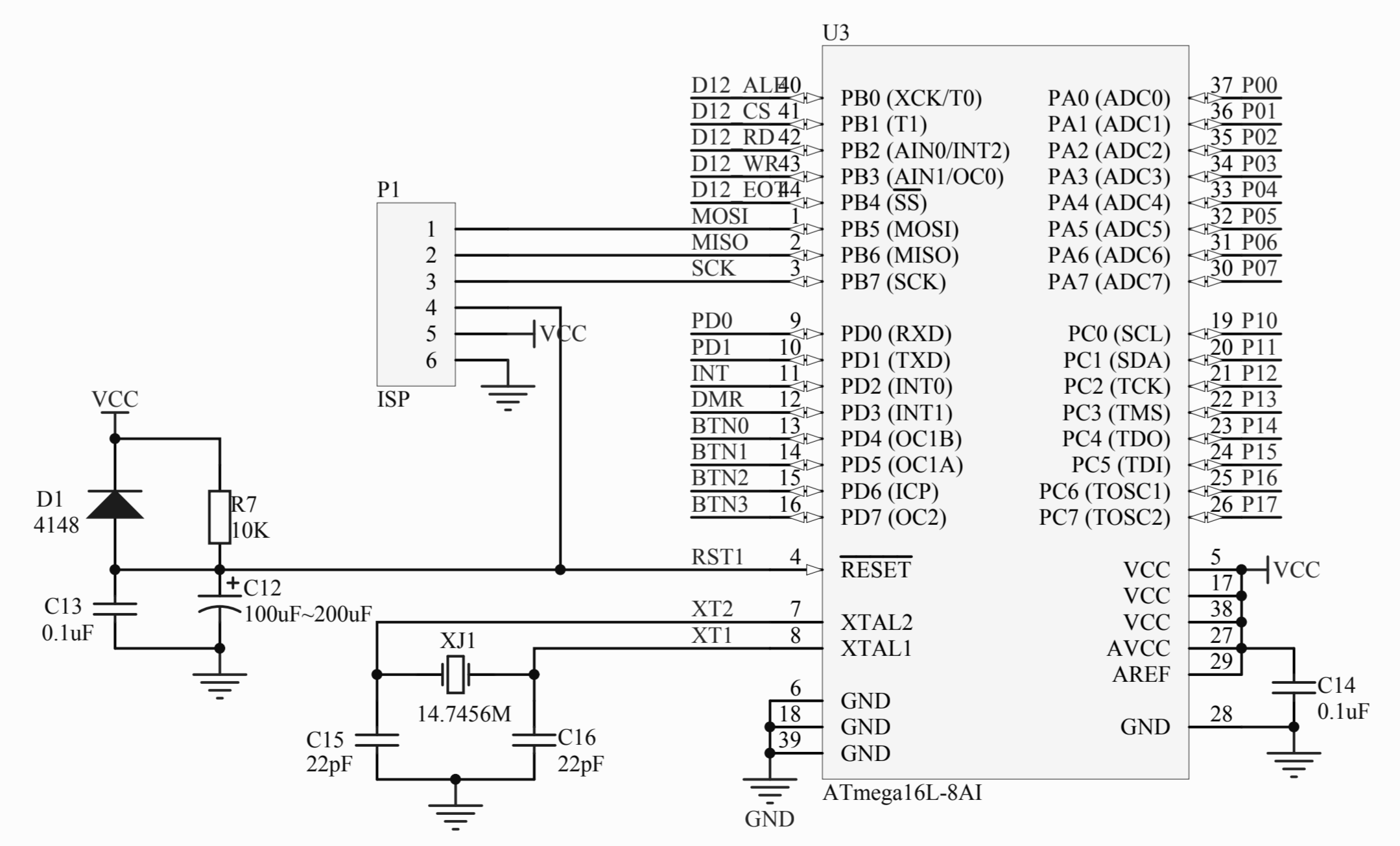
USB D12



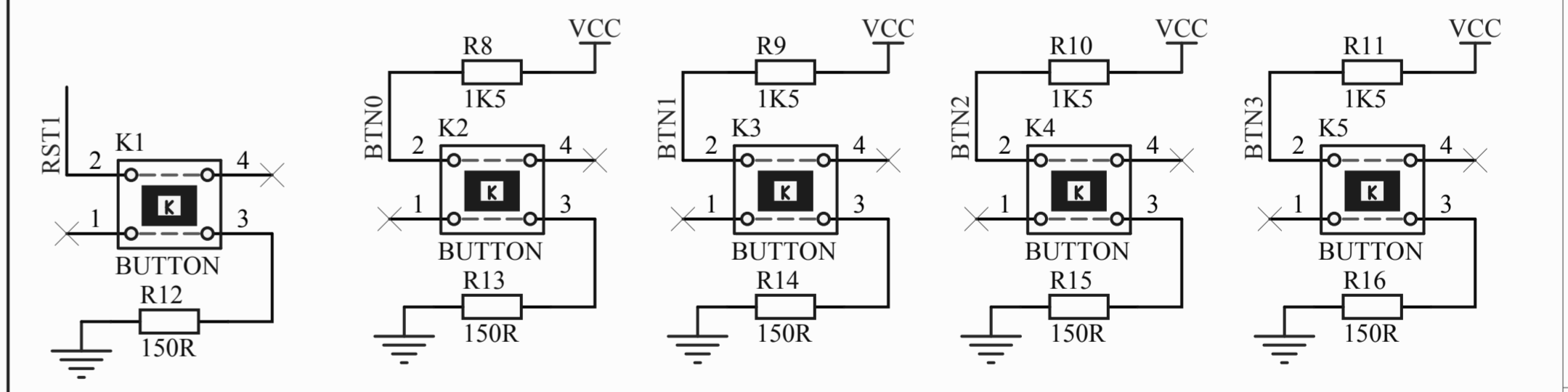
RES PACK



ATMEGA16



KEYPAD



Title Atmega16 USB D12 KIT		
Size A3	Number Designed by aleyn.wu	Revision v1.2
Date: 2008-03-12	Sheet of	
File: E:\DXP\AVR_PDIUSB D12\avrusb.SchDoc		