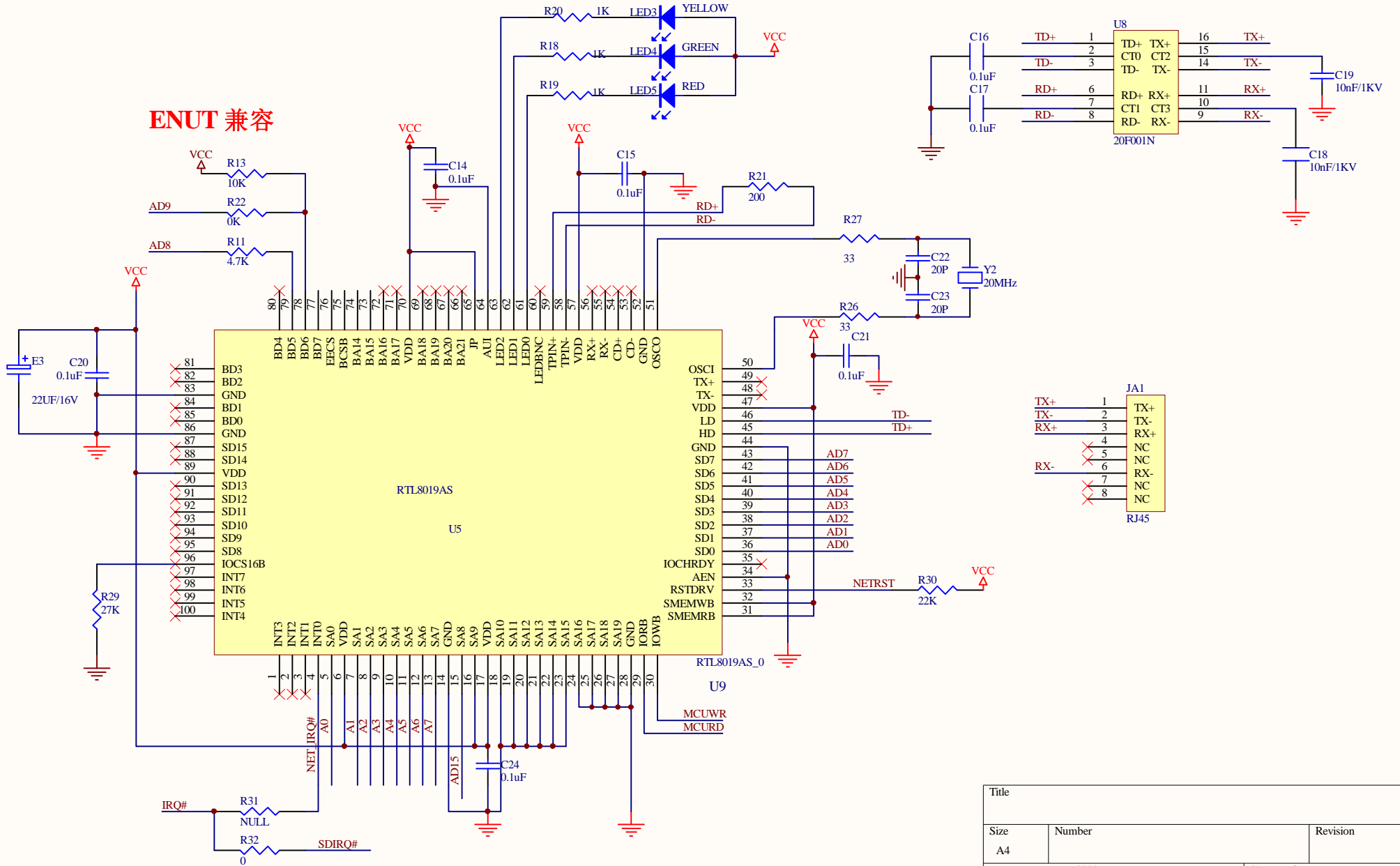
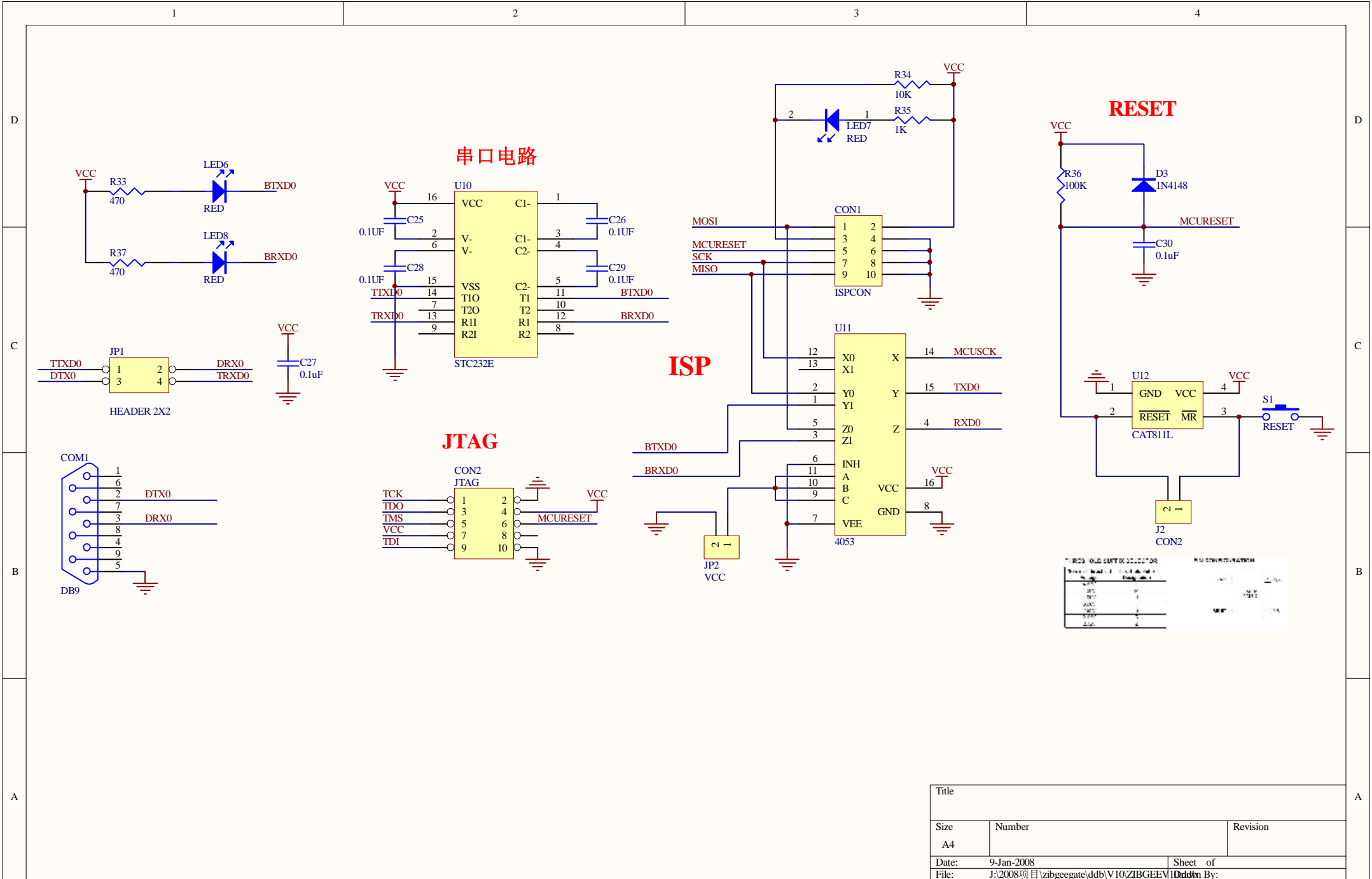


Title		
Size	Number	Revision
B		
Date:	9-Jan-2008	Sheet of
File:	J:\2008项目\zibgegate\ddb\V10\ZIBGEE\DR\ahb	By:

ENUT 兼容

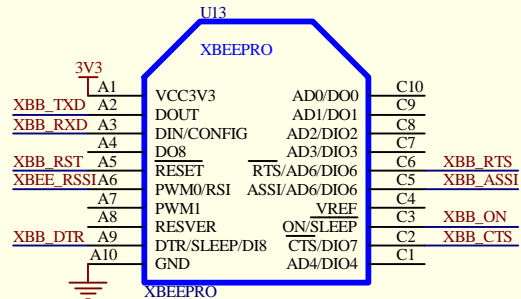


Title		
Size	Number	Revision
A4		
Date:	9-Jan-2008	Sheet of
File:	J:\2008\项目\zibgegate\ddb\V10\ZIBGEEV10\	Drawn By:

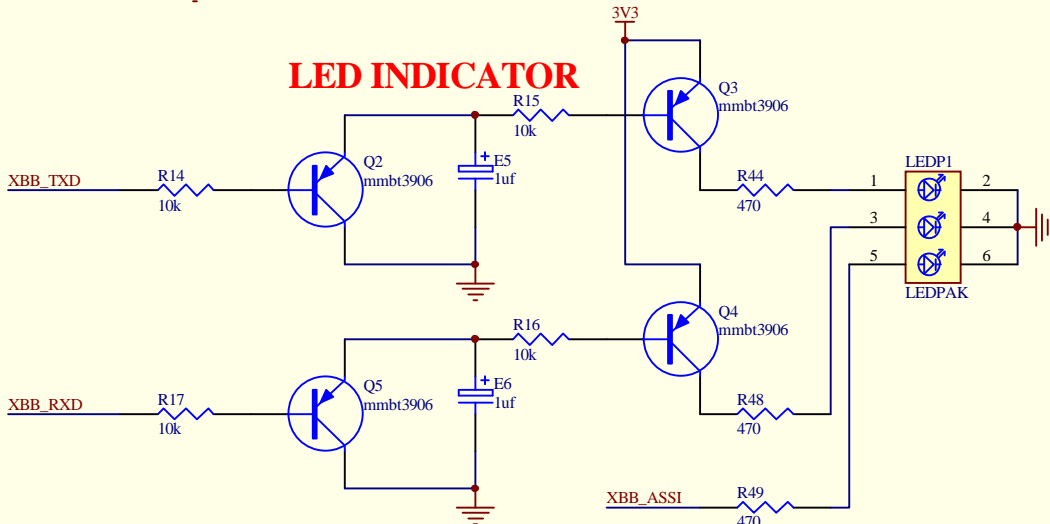


Title		
Size	Number	Revision
A4		
Date:	9-Jan-2008	Sheet of
File:	J:\2008项目\zibgeegate\ddb\V10.ZIBGEEV1.Ddbm By:	

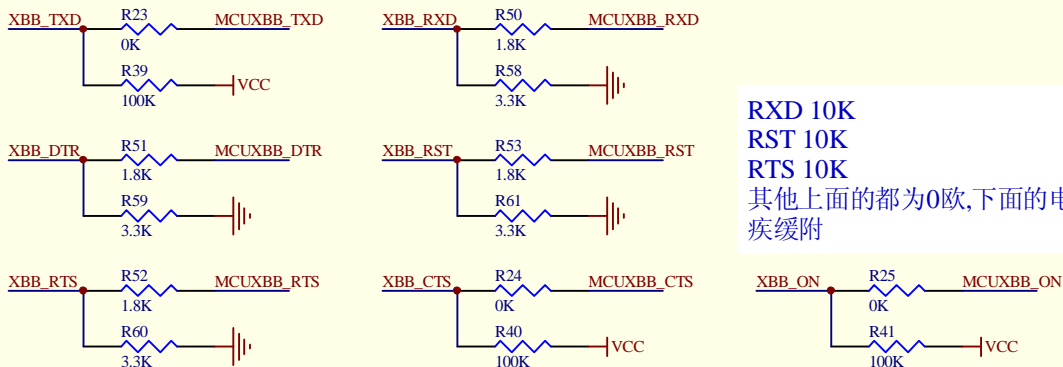
XBEE MODULE



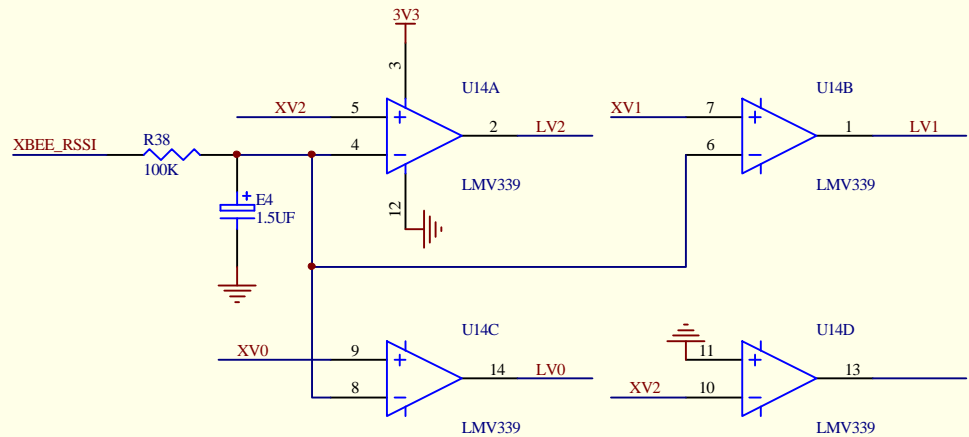
LED INDICATOR



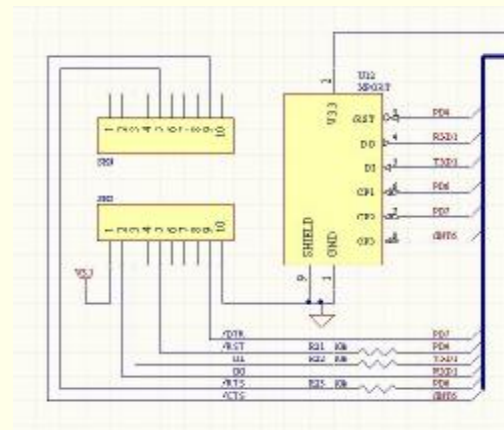
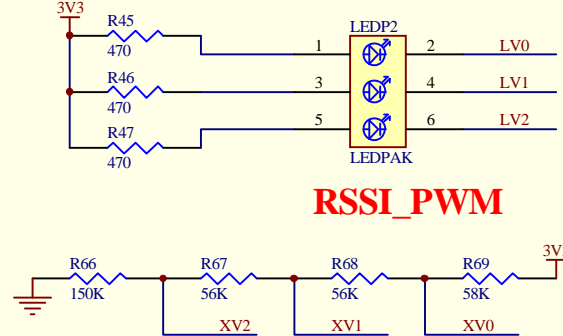
XBEE <-> AVRMCU



RXD 10K
RST 10K
RTS 10K
其他上面的都为0欧,下面的电阻
疾缓附

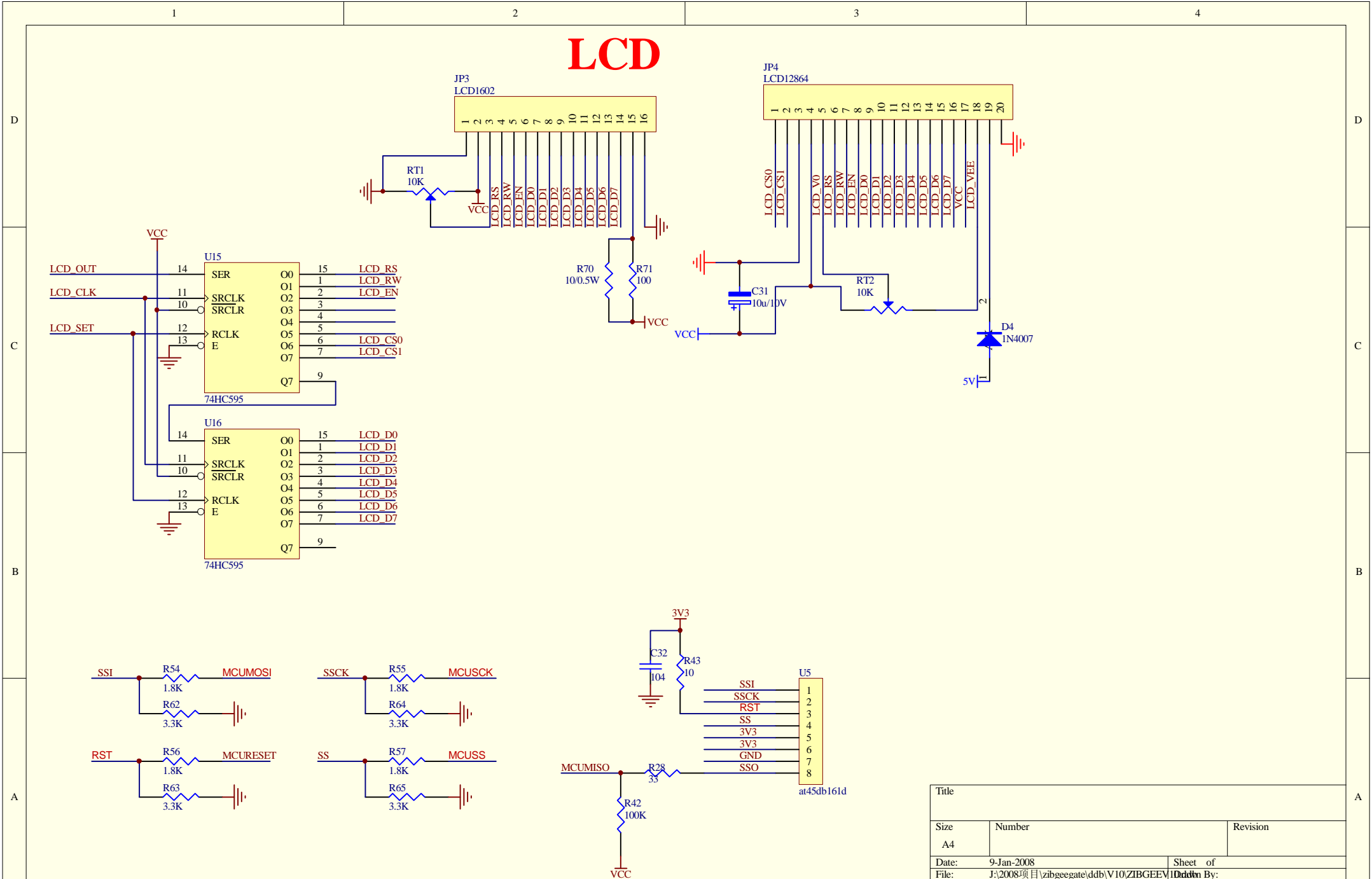


RSSI_PWM



Size	Number	Revision
A4		
Date:	9-Jan-2008	Sheet of
File:	J:\2008\项目\zibgegate\ddb\V10\ZIBGEEV10.dwg	Drawn By:

LCD



Title		
Size	Number	Revision
A4		
Date:	9-Jan-2008	Sheet of
File:	J:\2008项目\zibgegate\ddb\V10.ZIBGEEV10.ddb	Drawn By: