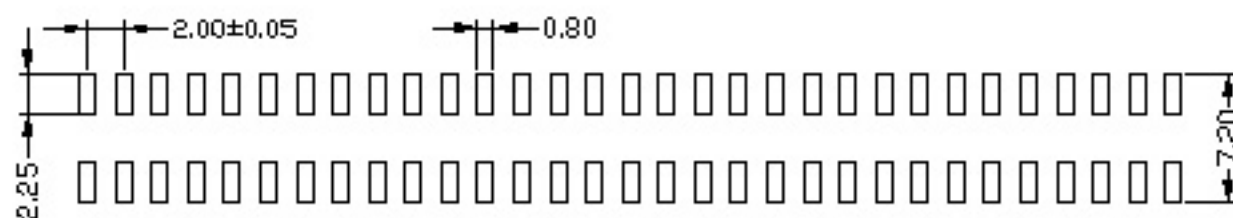
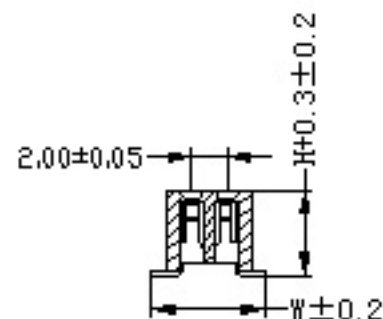
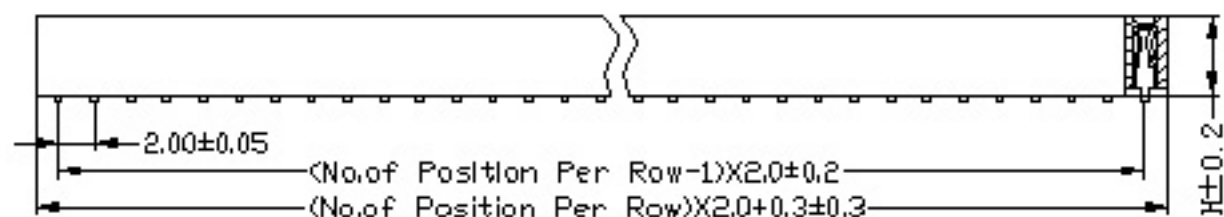
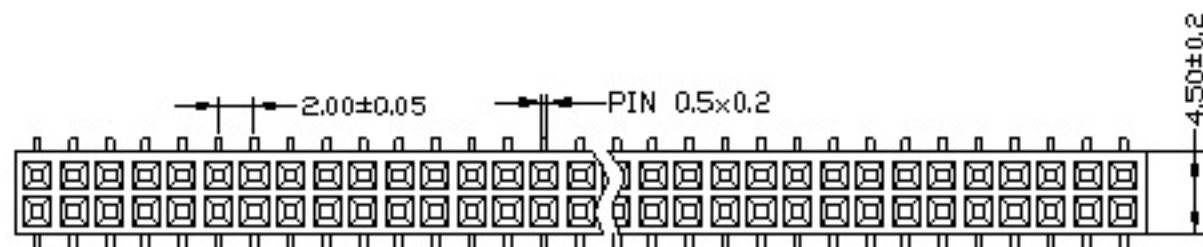


SPECIFICATIONS

Current Rating:1.5AMP
 Contact Resistance:20mΩ Max
 Insulation Resistance:1000MΩ Min
 Withstand Voltage:500V AC/minute
 Operation Temperature:-40℃ to +105℃
 Contact Material:Phosphor Bronze
 Contact Plating: Au over 50 μ Ni
 Insulator Material:Polyester(UL94V-0)
 Standard:Nylon-6T



PCB Board Layout

H	H1	2.20
	H2	4.00
	H3	4.30
	H4	4.60
W	创益端子	6.20
	科特端子	6.50

E		Unit:mm	Scale:2:1	Drawing By	Date	Lyco 深圳市联益电子有限公司	
D		Tolerance Unless			2007/09/26	HTTP://WWW.LYCONN.COM	
C		Otherwise Specified		Reviewe By	Date	2007/09/26	Title
B		.X ~ ±0.30			2007/09/26	Sheet	1 of 1
A	RELEASED	.XX ~ ±0.25		Approval By	Date	Third Angle Projection	Drawing No.
REV	ECN.NO.	.XXX ~ ±0.20			2007/09/26		22XX2XXGXXMU148
	Date	Angle ~ ±3°				F./Name	REV