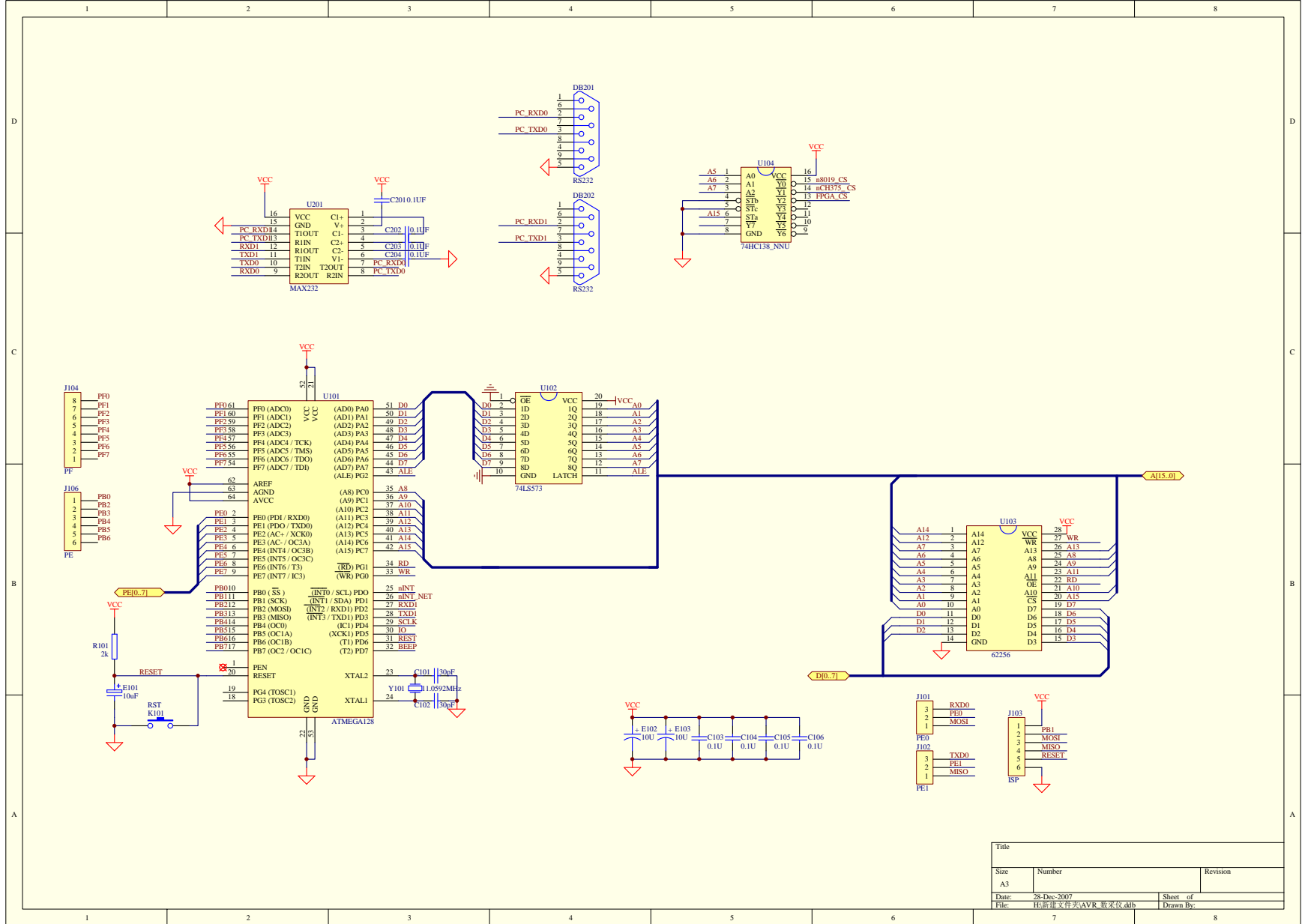
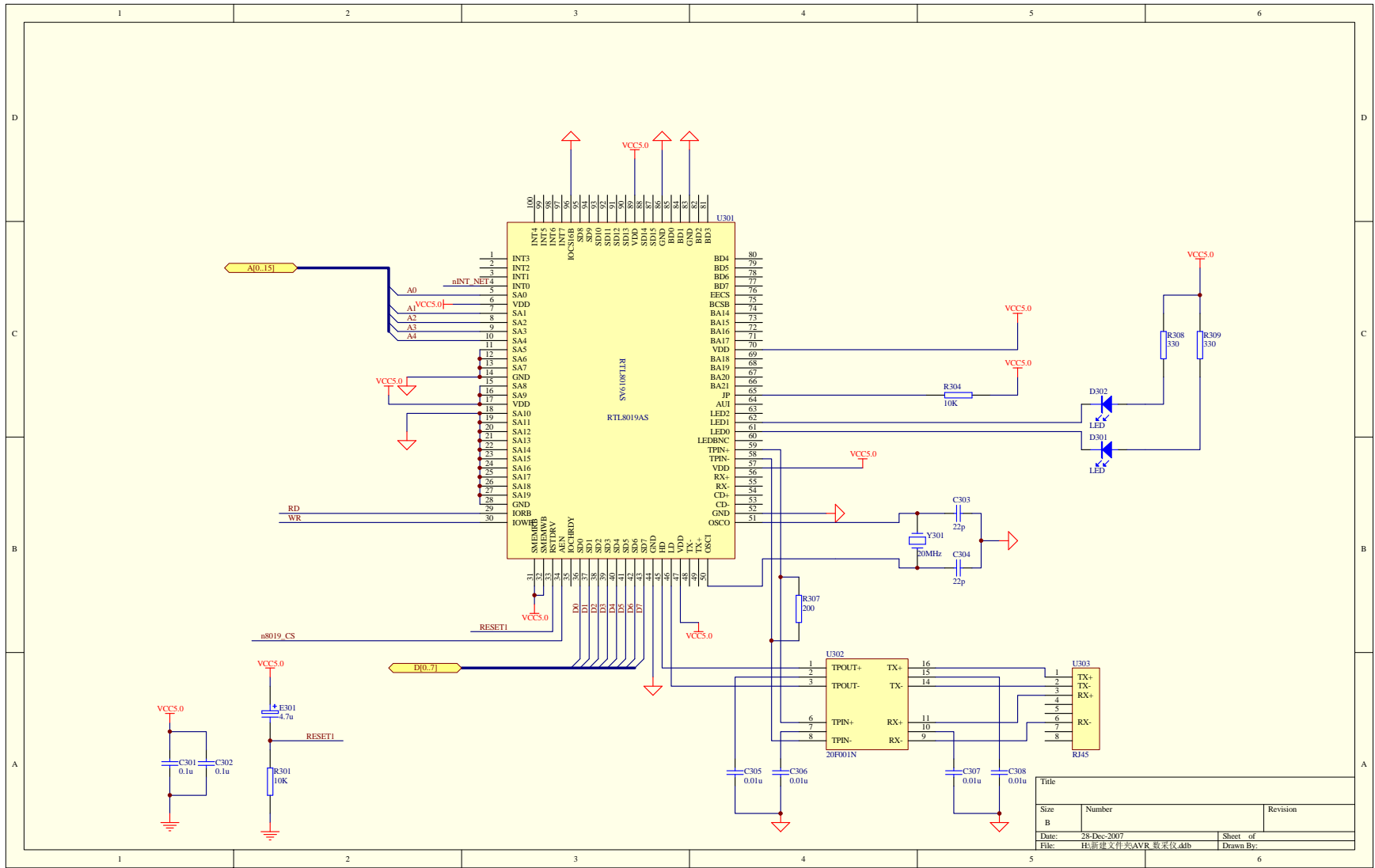




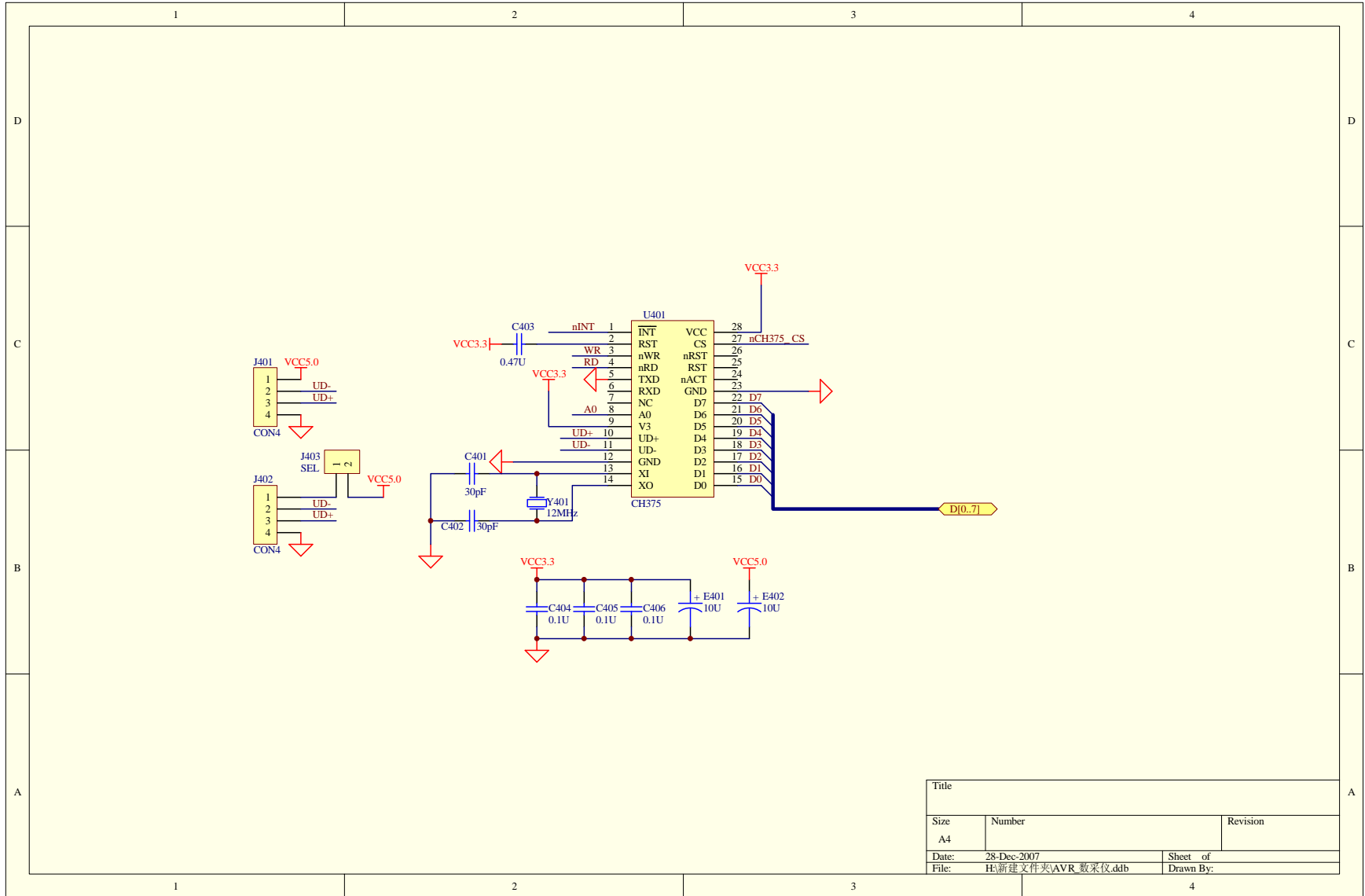
Title		
Size	Number	Revision
B		
Date:	28-Dec-2007	Sheet of
File:	H:\新建文件夹\AVR_数采仪.dtb	Drawn By:



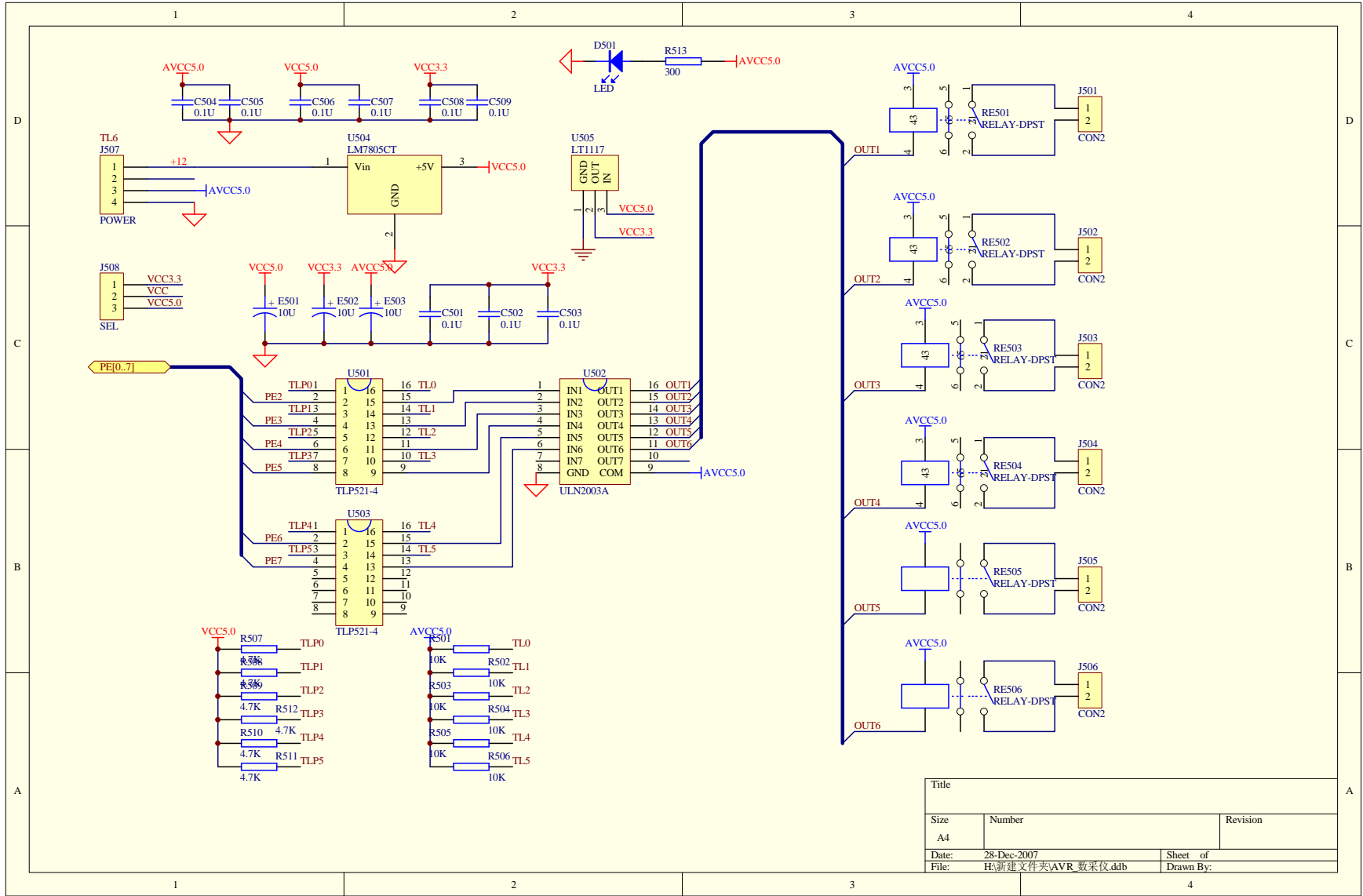
Title		
Size	Number	Revision
A3		
Date:	28-Dec-2007	Sheet of
File:	新建文件夹\AVR_数据表.dtb	Drawn By:



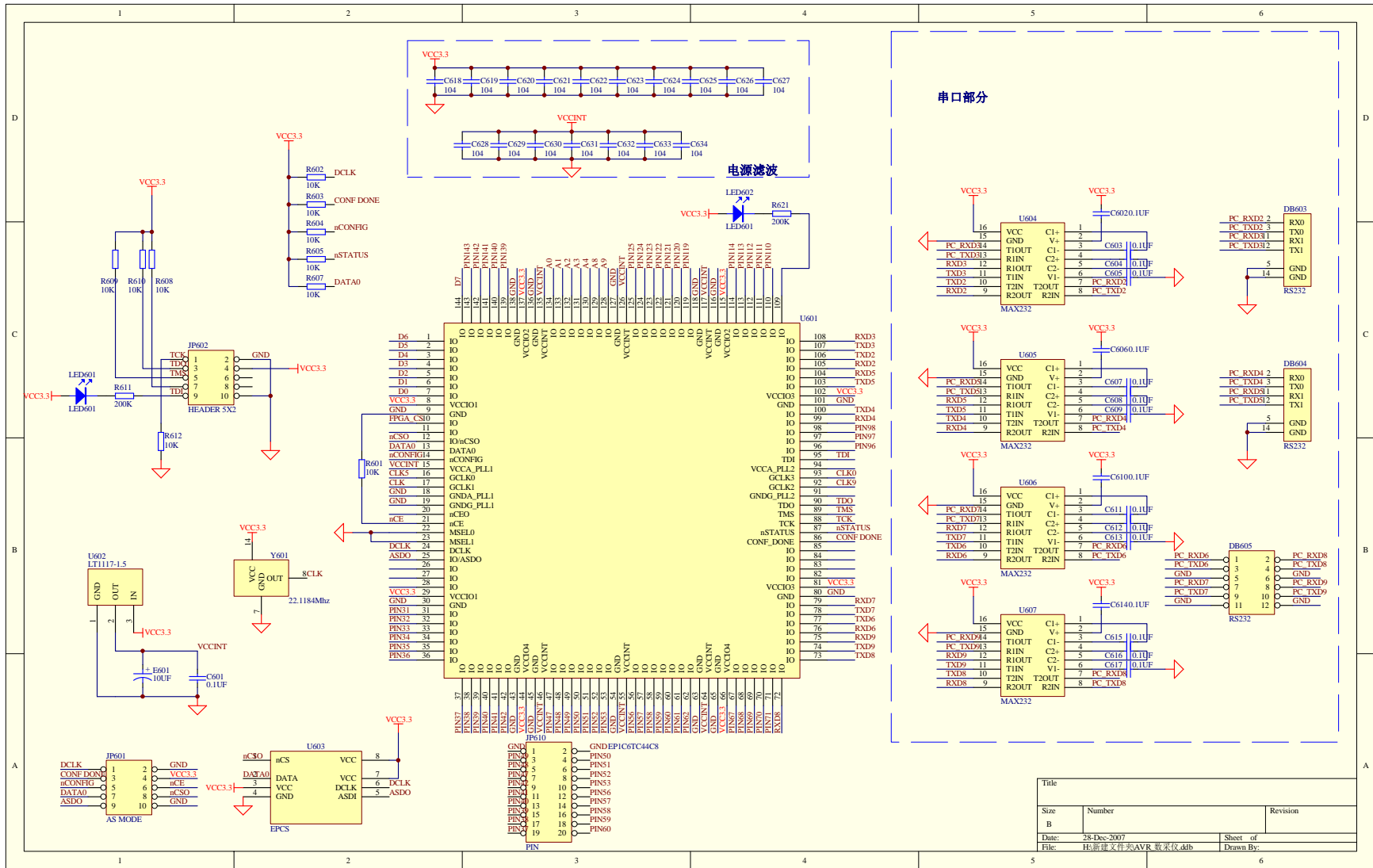
Title		
Size	Number	Revision
B		
Date:	28-Dec-2007	Sheet of
File:	H:\新建文件夹\AVR_数采仪.dtb	Drawn By:



Title		
Size	Number	Revision
A4		
Date:	28-Dec-2007	Sheet of
File:	H:\新建文件夹\AVR_数采仪.ddb	Drawn By:



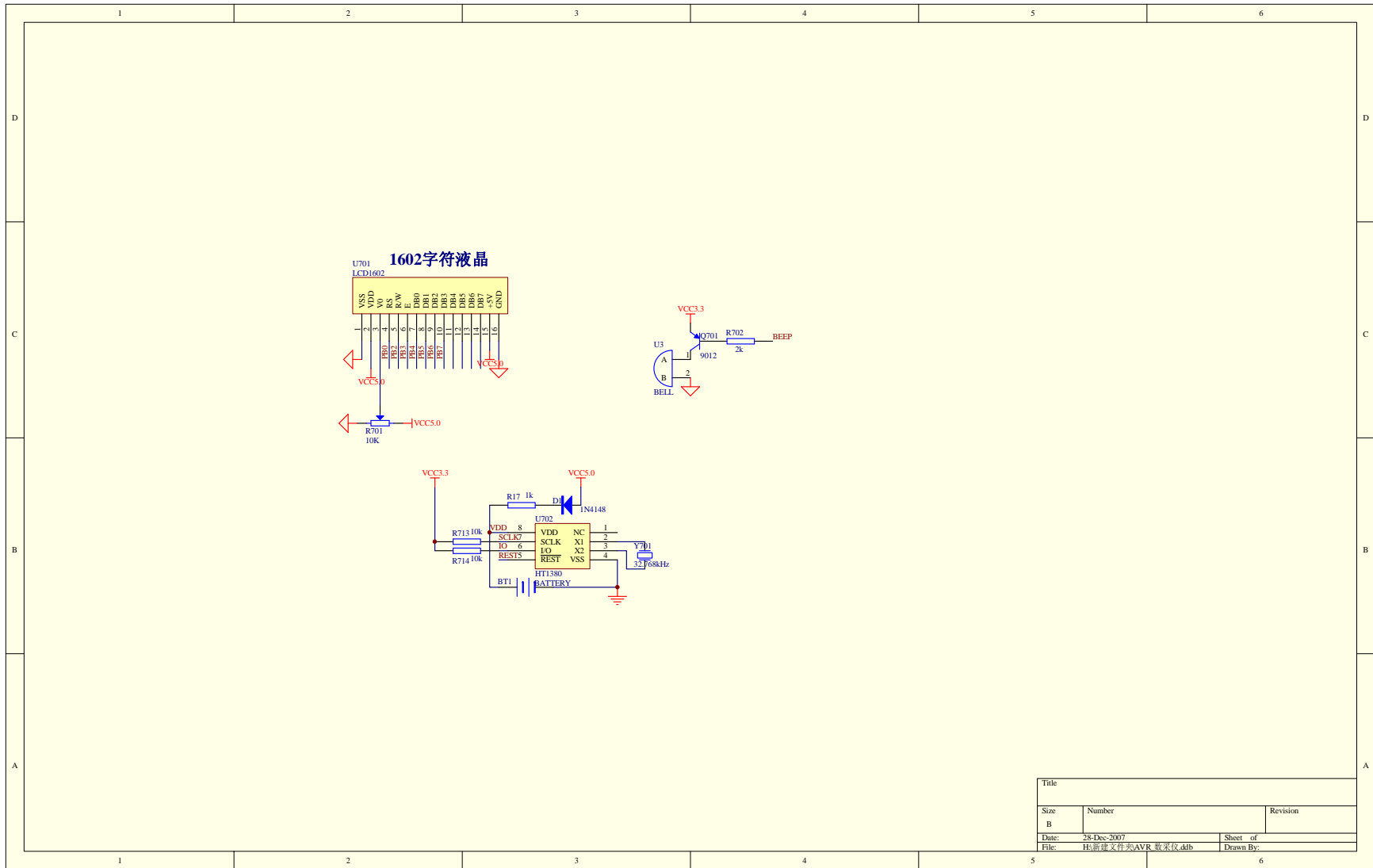
Title		
Size	Number	Revision
A4		
Date:	28-Dec-2007	Sheet of
File:	H:\新建文件夹\AVR_数采仪.ddb	Drawn By:



串口部分

电源滤波

Title		
Size	Number	Revision
B		
Date:	28-Dec-2007	Sheet of
File:	H:\新建文件夹\AVR_数据采集.dtb	Drawn By:
		6



Title		
Size	Number	Revision
B		
Date:	28-Dec-2007	Sheet of
File:	H:\新建文件夹\AVR_数采仪.dtb	Drawn By: