

D

C

B

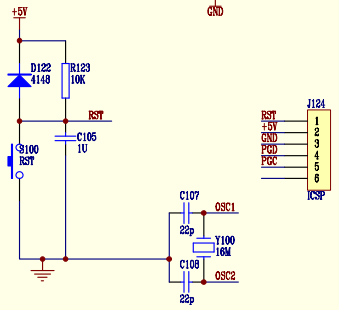
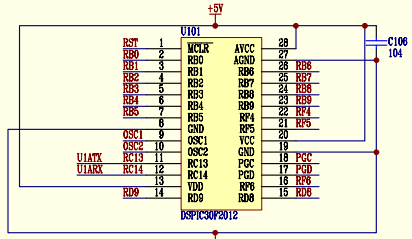
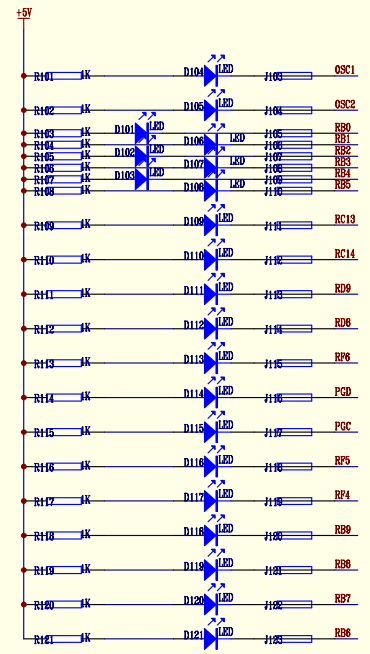
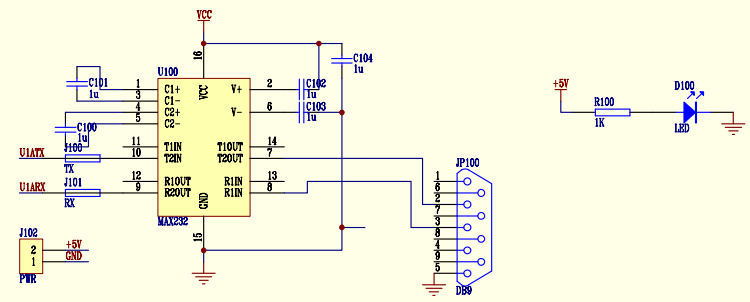
A

D

C

B

A



Title		
Size	Number	Revision
B		
Date:	1-Jan-2006	Sheet of
File:	D:\my documents\dsPIC2010.d2b	Drawn By:
		6