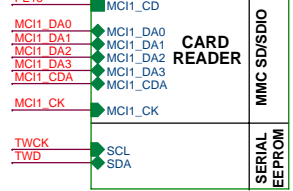
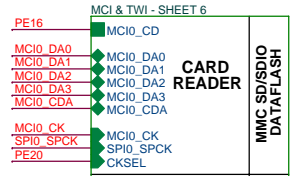
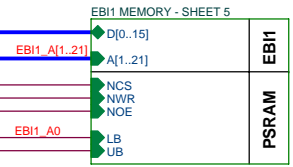
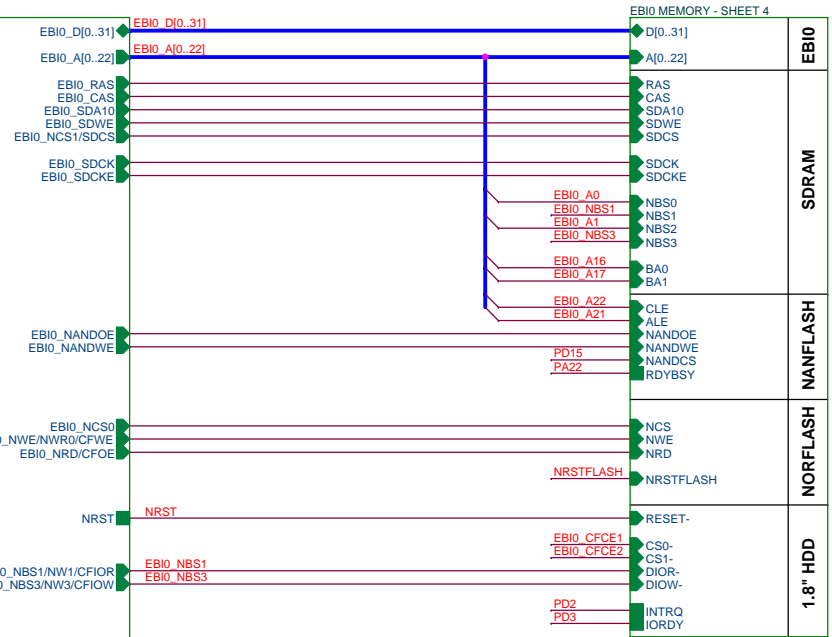
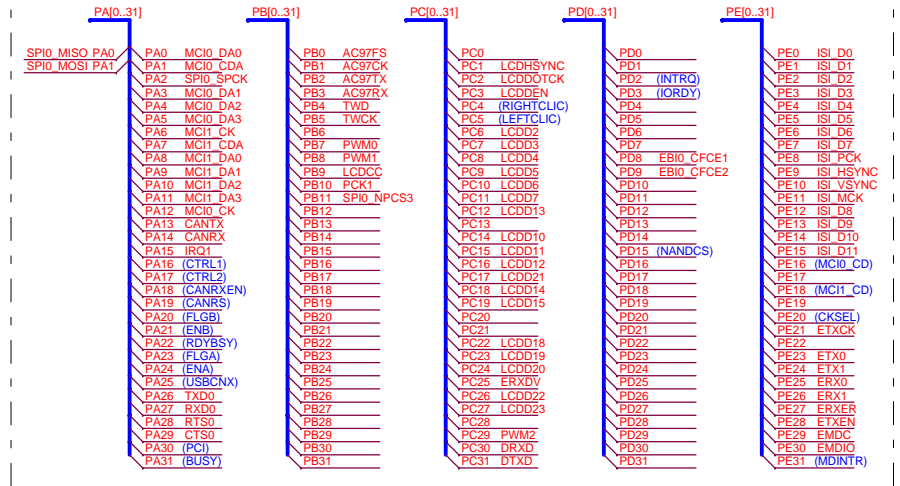


**PIO USAGE**



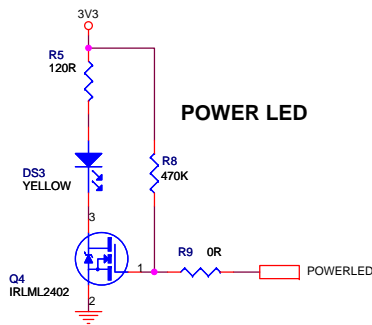
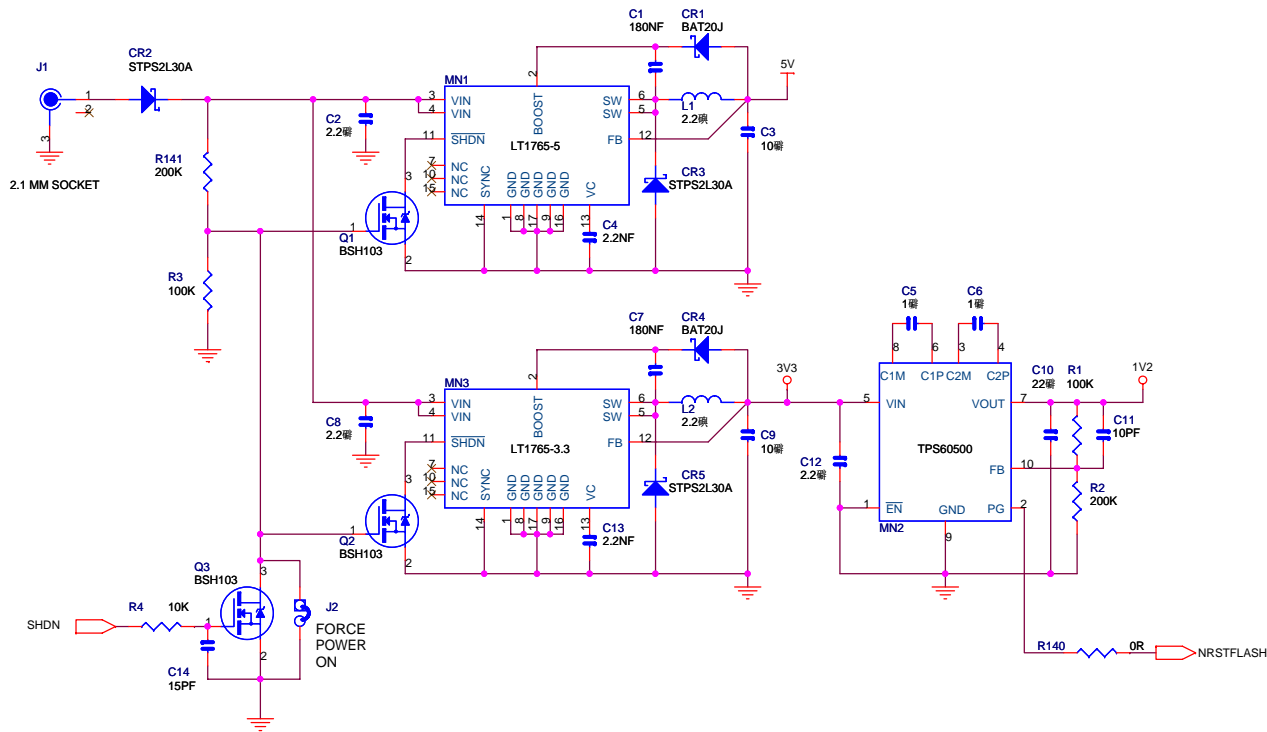
**ATMEL ROUSSET**

AT91SAM9263-EK

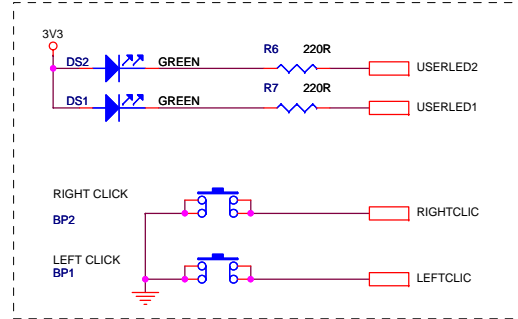
DIAGRAM

B	INIT EDIT	JPG	15-MAR-07		
A	MODIF.	JPG	10-OCT-06		
REV	DES.	DATE	VER.	DATE	
SCALE	1/1		REV.	SHEET	1/11

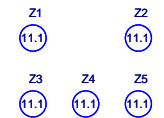
This agreement is our property. Reproduction and publication without our written authorization shall expose offender to legal proceedings.



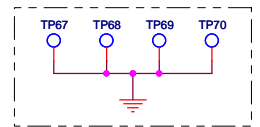
**USER INTERFACE**



**ADHESIVE FEET**

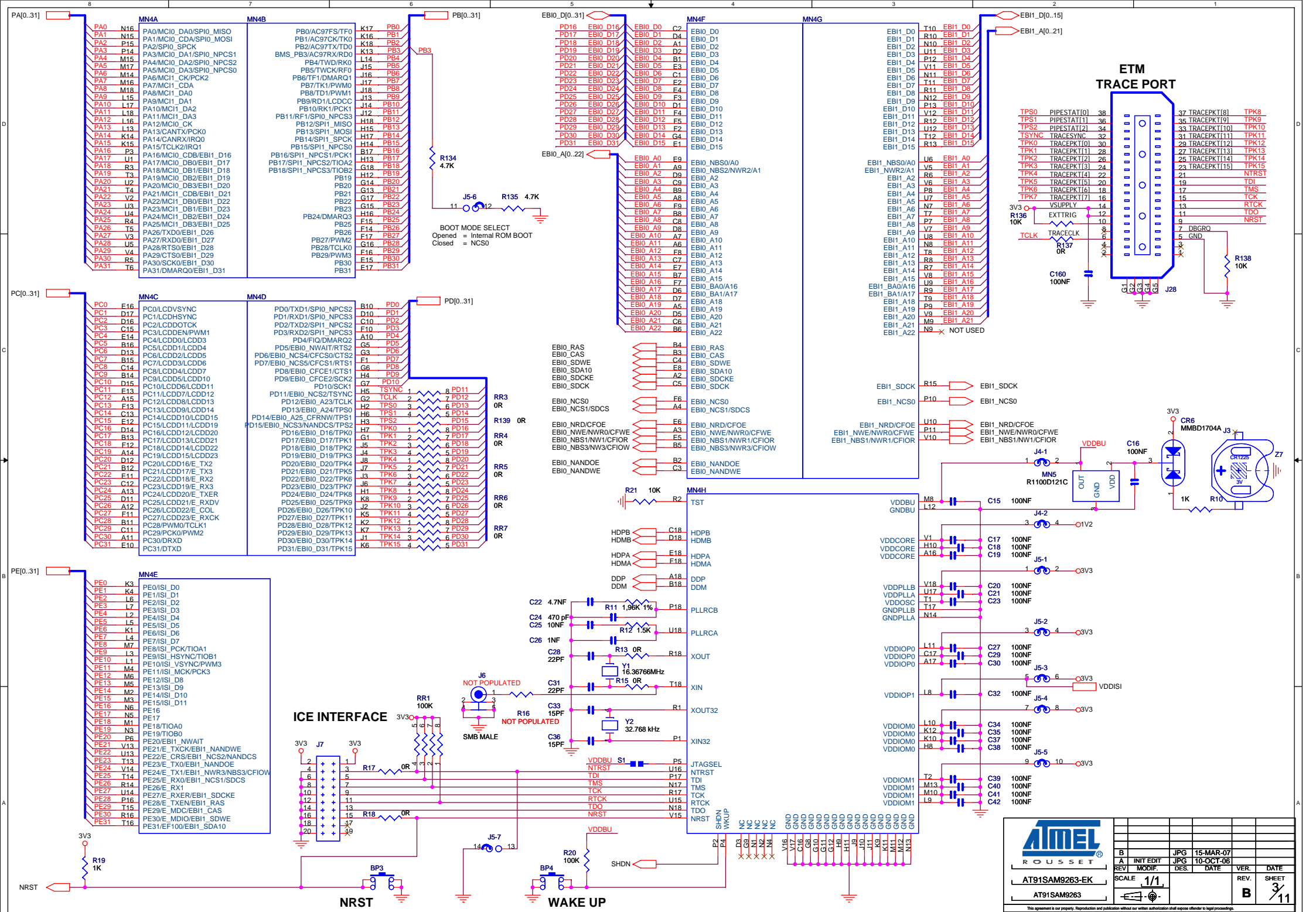


**GND TEST POINT**



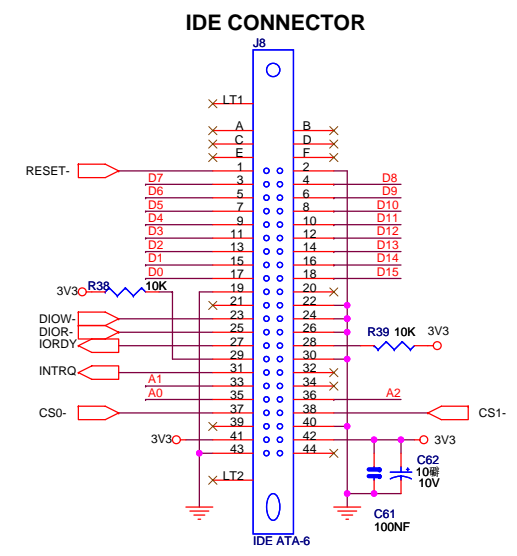
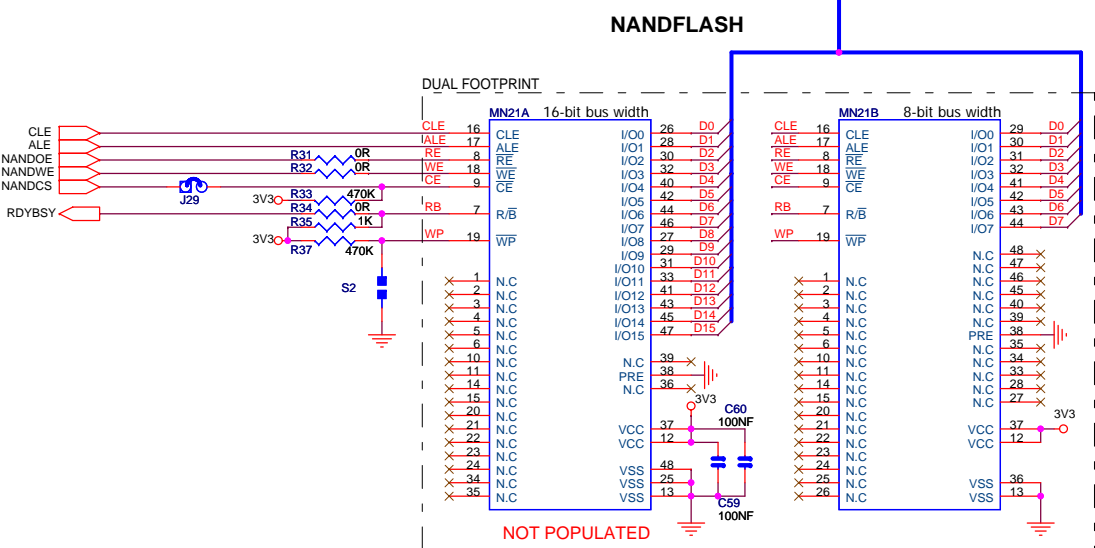
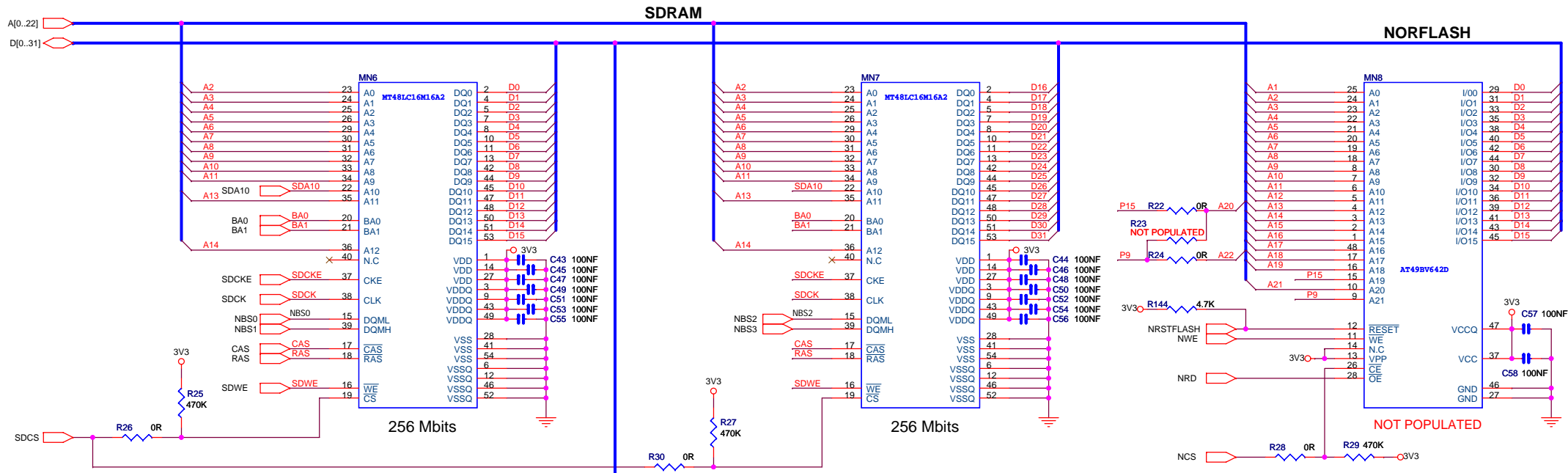
		REV.	DATE	VER.	DATE
		SCALE	1/1	REV.	SHEET
<b>AT91SAM9263-EK</b> <b>POWER SUPPLY</b>		15-MAR-07 10-OCT-06		<b>B</b>	<b>2/11</b>

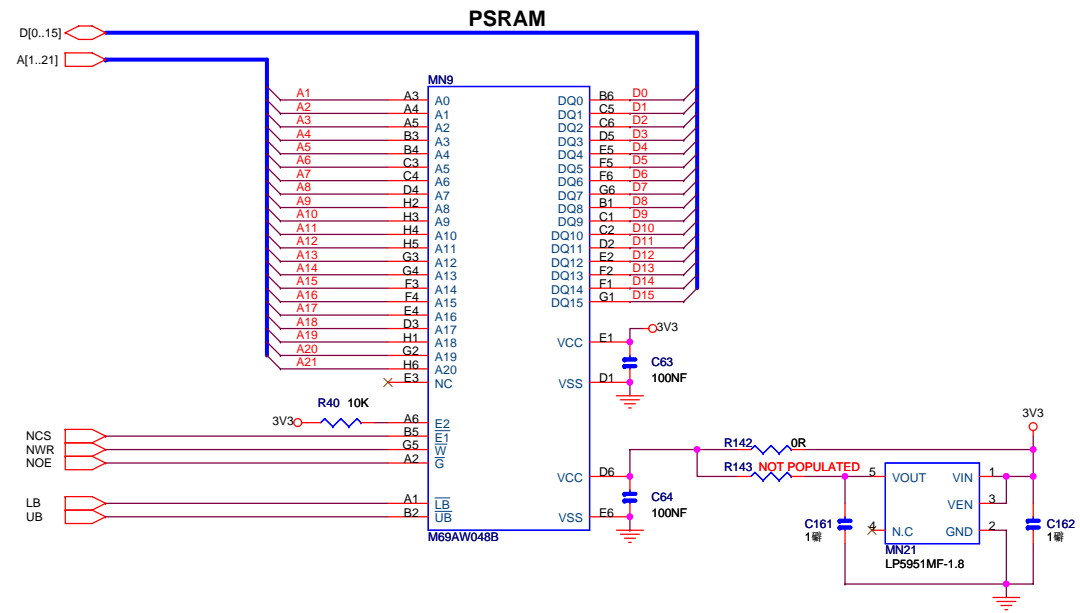
This agreement is our property. Reproduction and publication without our written authorization shall expose offender to legal proceedings.



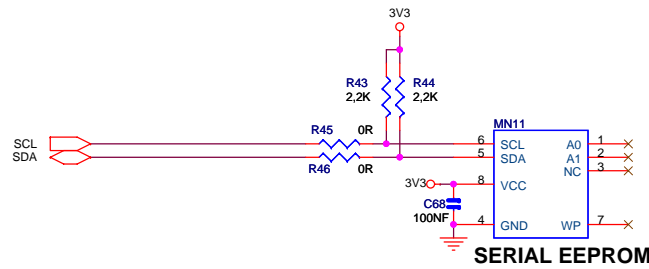
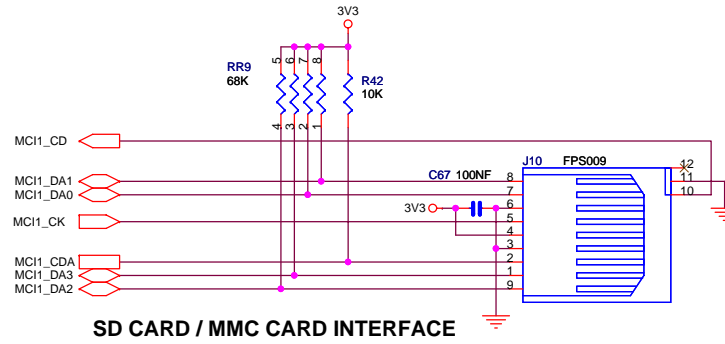
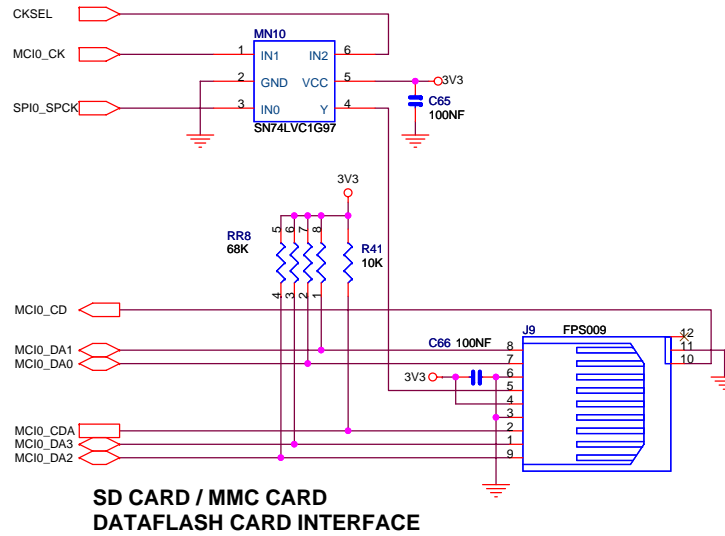
		15-MAR-07	
		JPG	DES.
B	INIT EDIT	JPG	DES.
A	REV	JPG	DES.
AT91SAM9263-EK		AT91SAM9263	
SCALE 1/1		REV. SHEET B / 11	

This agreement is our property. Reproduction and publication without our written authorization shall expose offender to legal proceedings.





B	INIT EDIT	JPG	15-MAR-07		
A	MODIF.	JPG	10-OCT-06		
REV	DES.	DATE	VER.	DATE	
SCALE 1/1			REV.	SHEET	
AT91SAM9263-EK			B	5	11
EBH1 MEMORY		This agreement is our property. Reproduction and publication without our written authorization shall expose offender to legal proceedings.			

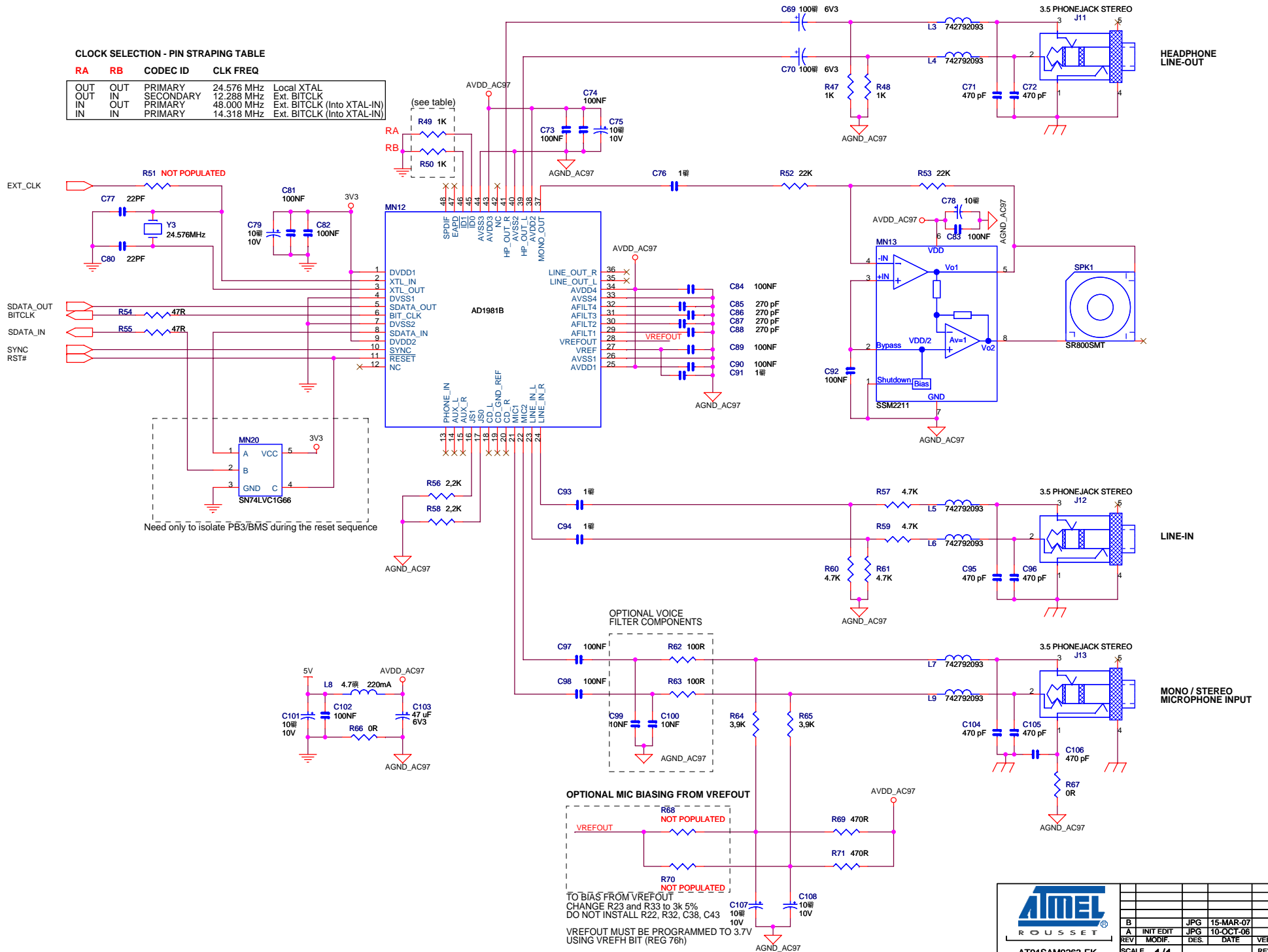


		REV	INIT EDIT	JPG	15-MAR-07	VER.	DATE
		A	MODIF.	JPG	10-OCT-06	B	6/11
<b>AT91SAM9263-EK</b> MCI & TWI		SCALE	1/1		REV.	SHEET	
				B		6/11	

This agreement is our property. Reproduction and publication without our written authorization shall expose offender to legal proceedings.


**CLOCK SELECTION - PIN STRAPING TABLE**

RA	RB	CODEC ID	CLK FREQ	
OUT	OUT	PRIMARY	24.576 MHz	Local XTAL
OUT	IN	SECONDARY	12.288 MHz	Ext. BITCLK
IN	OUT	PRIMARY	48.000 MHz	Ext. BITCLK (Into XTAL-IN)
IN	IN	PRIMARY	14.318 MHz	Ext. BITCLK (Into XTAL-IN)



TO BIAS FROM VREFOUT  
 CHANGE R23 and R33 to 3k 5%  
 DO NOT INSTALL R22, R32, C38, C43

VREFOUT MUST BE PROGRAMMED TO 3.7V  
 USING VREFH BIT (REG 76h)



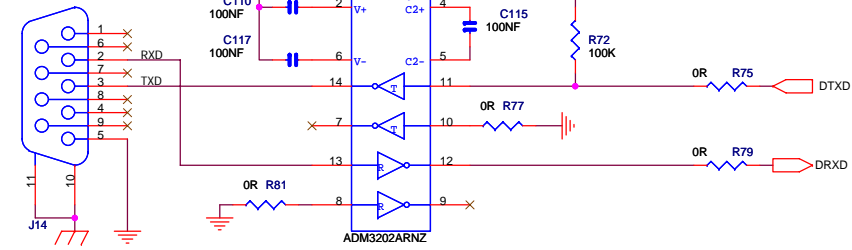
**AT91SAM9263-EK**  
AUDIO AC97

REV.	INIT EDIT	JPG	15-MAR-07	VER.	DATE
A	MODIF.	JPG	10-OCT-06		
SCALE	1/1			REV.	DATE
				B	7/11

This agreement is our property. Reproduction and publication without our written authorization shall expose offender to legal proceedings.

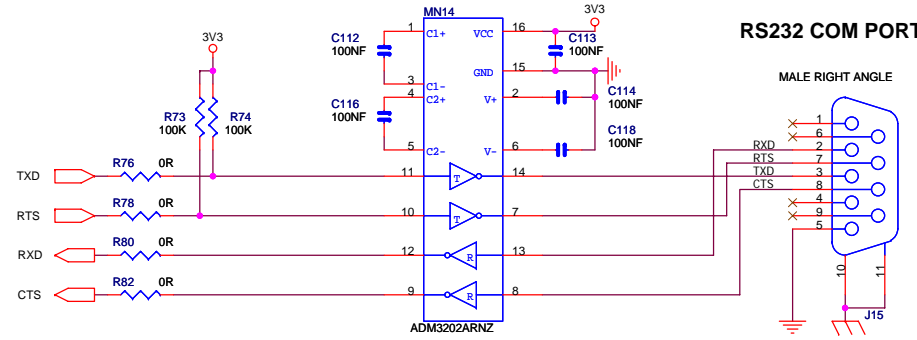
### SERIAL DEBUG PORT

MALE RIGHT ANGLE

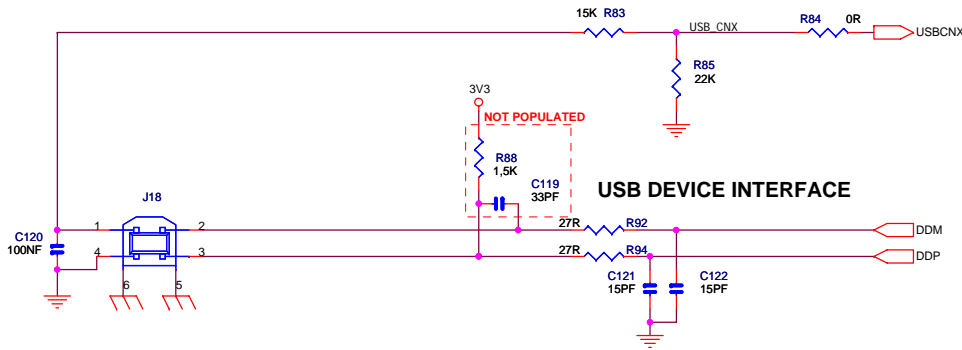


### RS232 COM PORT

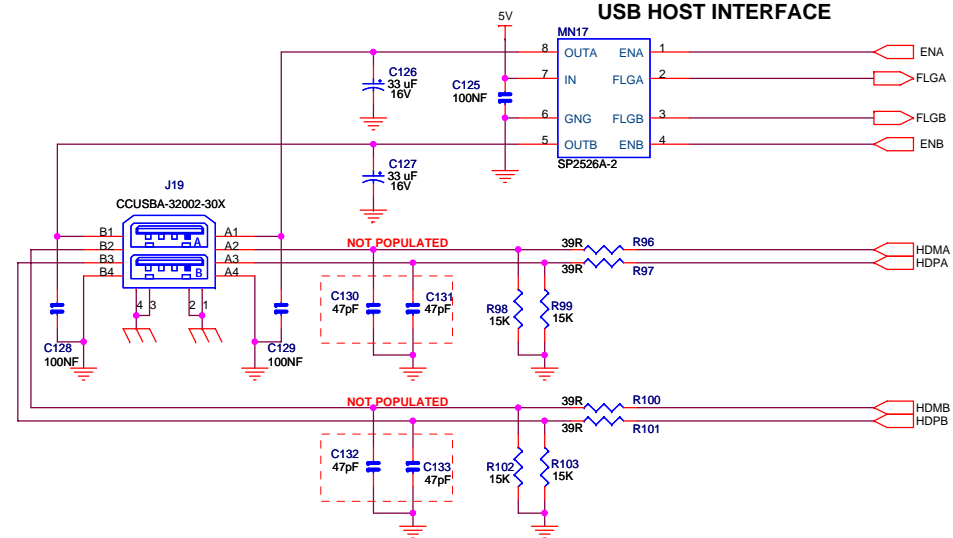
MALE RIGHT ANGLE



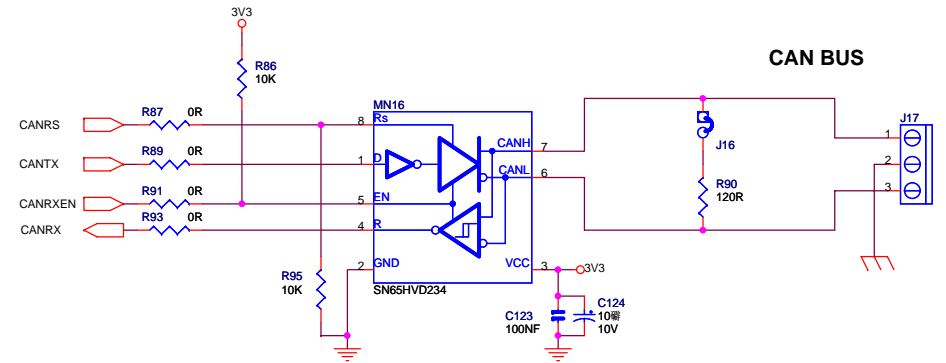
### USB DEVICE INTERFACE



### USB HOST INTERFACE



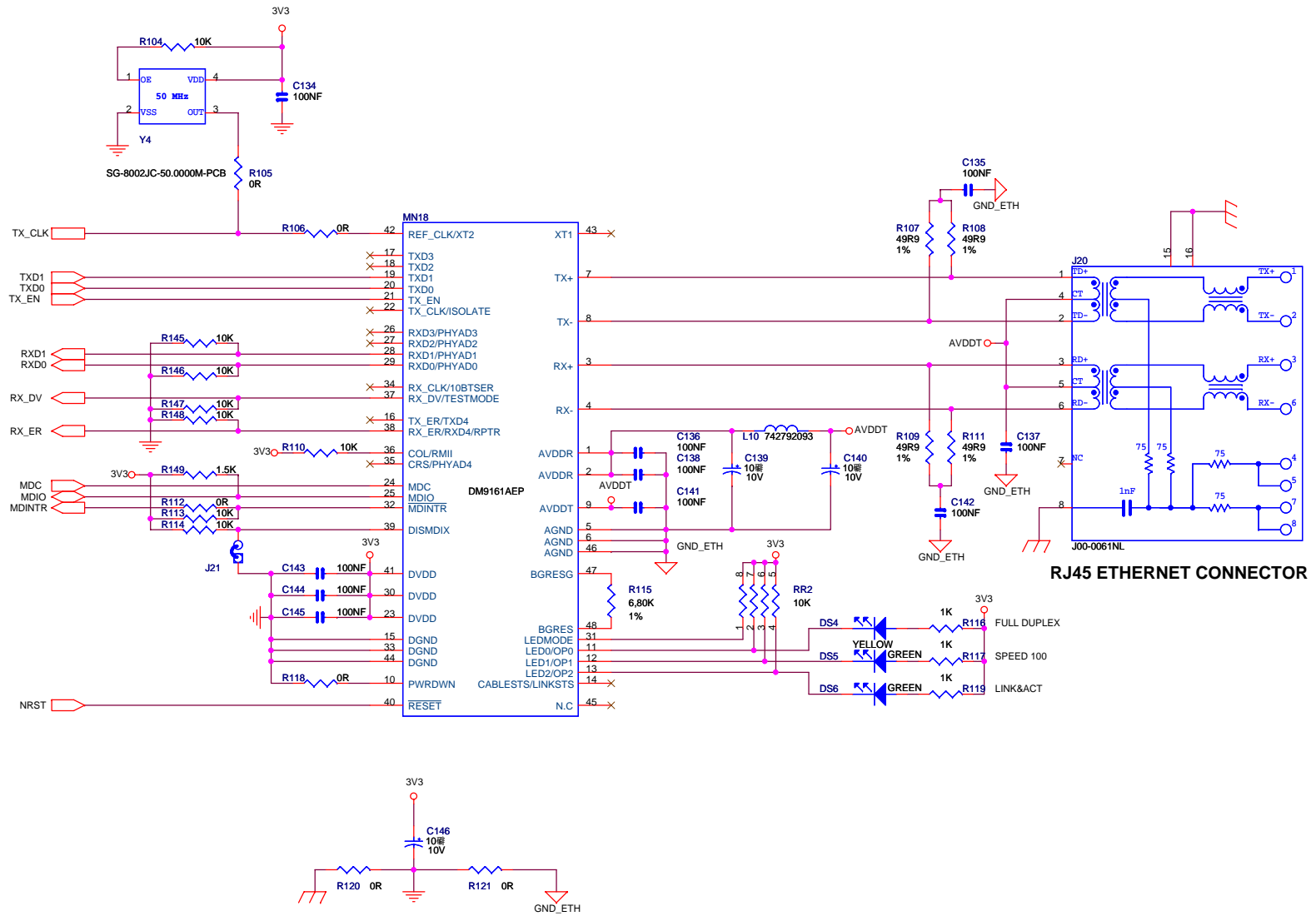
### CAN BUS



<b>ATMEL</b>					
ROUSSET					
AT91SAM9263-EK					
SERIAL INTERFACES					
B	INIT EDIT	JPG	15-MAR-07		
A	MODIF.	JPG	10-OCT-06		
REV	MODIF.	DES.	DATE	VER.	DATE
SCALE 1/1				REV.	SHEET
				B	8/11

This agreement is our property. Reproduction and publication without our written authorization shall expose offender to legal proceedings.



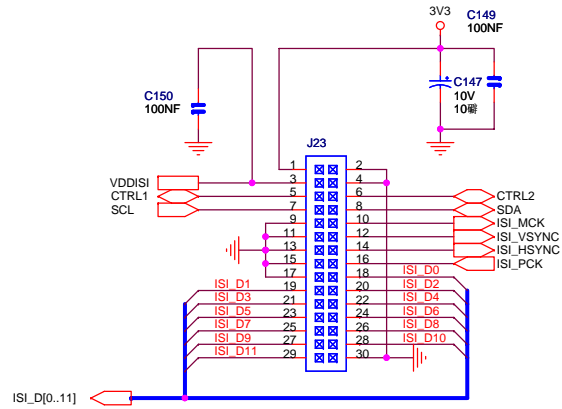


**RJ45 ETHERNET CONNECTOR**

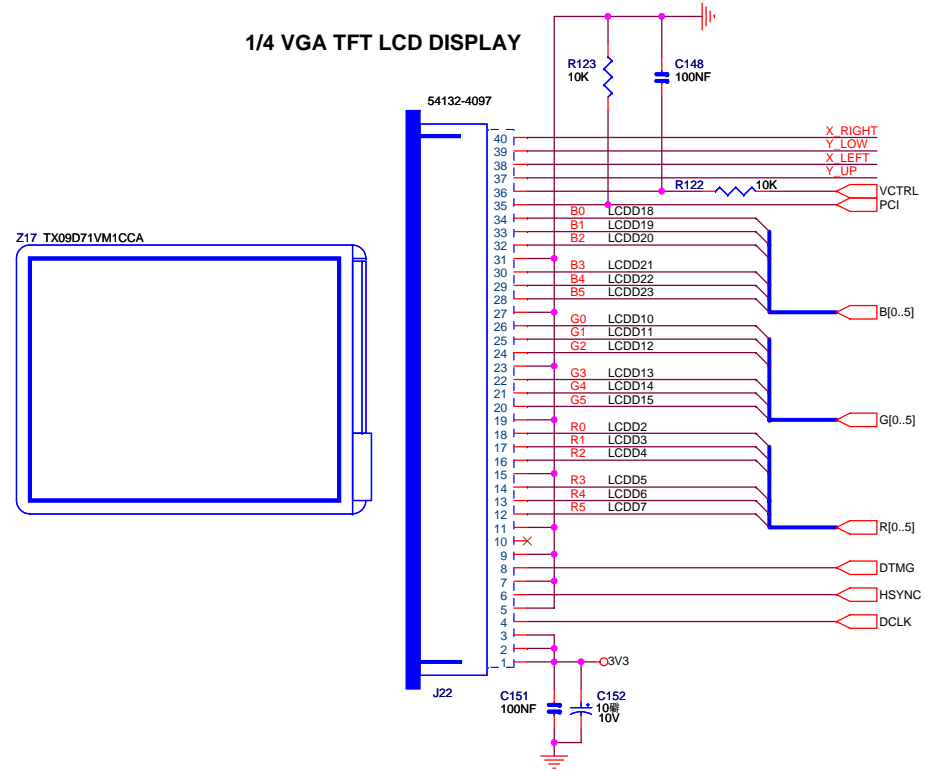
		15-MAR-07			
		JPG	INIT EDIT	JPG	10-OCT-06
REV.	MODIF.	DES.	DATE	VER.	DATE
<b>AT91SAM9263-EK</b> RMII ETHERNET		SCALE	1/1	REV.	SHEET
				<b>B</b>	<b>9/11</b>

This agreement is our property. Reproduction and publication without our written authorization shall expose offender to legal proceedings.

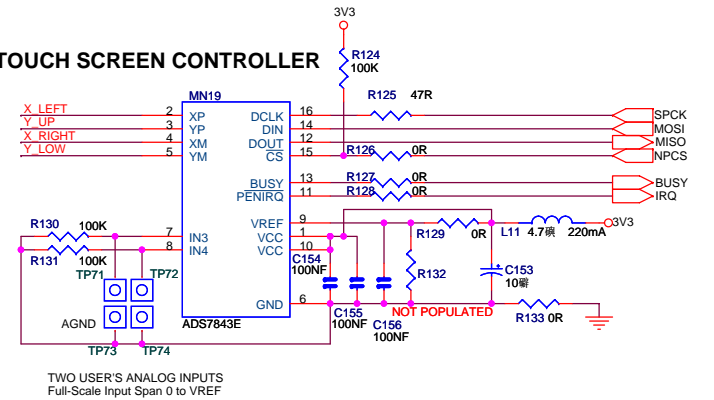
### IMAGE SENSOR CONNECTOR



### 1/4 VGA TFT LCD DISPLAY

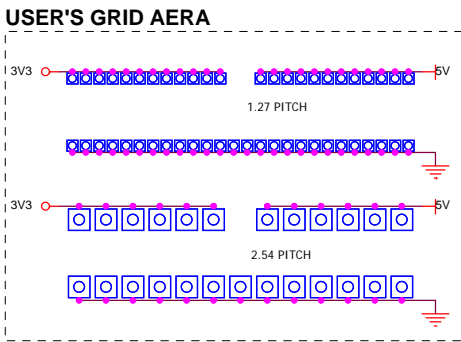
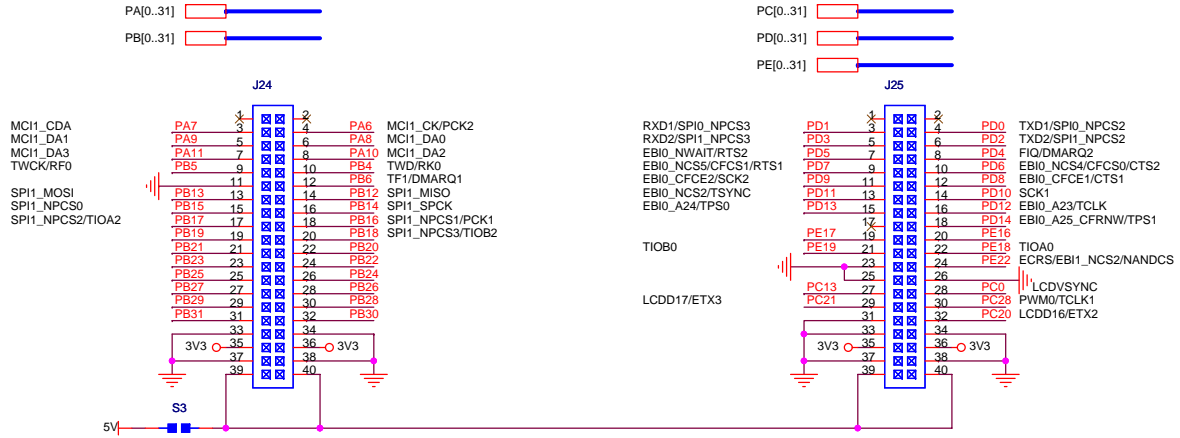


### TOUCH SCREEN CONTROLLER



<b>ATMEL</b> ROUSSET					
B	INIT EDIT	JPG	15-MAR-07		
A	MODIF.	JPG	10-OCT-06		
REV	MODIF.	DES.	DATE	VER.	DATE
SCALE	1/1			REV.	SHEET
AT91SAM9263-EK				B	10/11
LCD & ISI					

This agreement is our property. Reproduction and publication without our written authorization shall expose offender to legal proceedings.



<b>ATEL</b> ROUSSET					
B	INIT EDIT	JPG	15-MAR-07		
A	MODIF.	JPG	10-OCT-06		
REV	DES.	DATE	VER.	DATE	
SCALE <b>1/1</b>				REV.	SHEET
EXPANSION CONNECTORS				<b>B</b>	<b>11/11</b>

This agreement is our property. Reproduction and publication without our written authorization shall expose offender to legal proceedings.