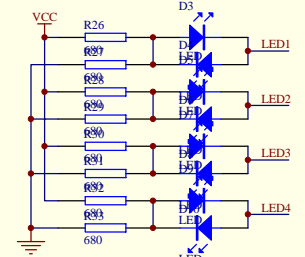
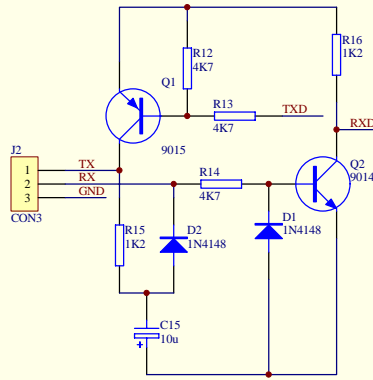
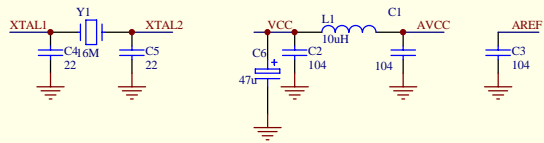
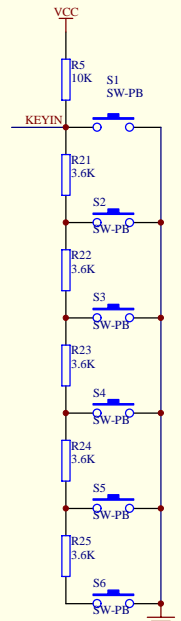
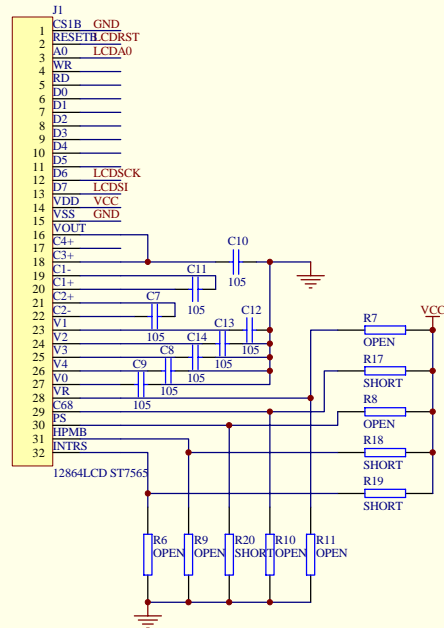
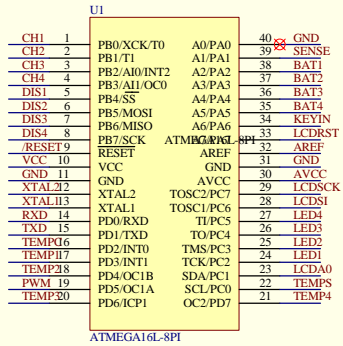
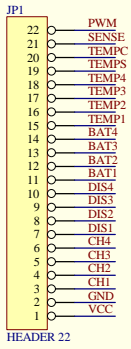
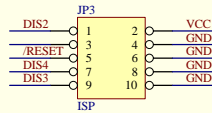
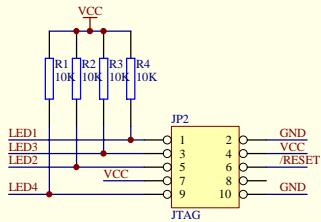


Title		
Size	Number	Revision
B		
Date:	15-Nov-2007	Sheet of
File:	E:\avr\charge.dbb	Drawn By:



Title		
Size	Number	Revision
B		
Date:	15-Nov-2007	Sheet of
File:	E:\avr\charge\dbb	Drawn By: