

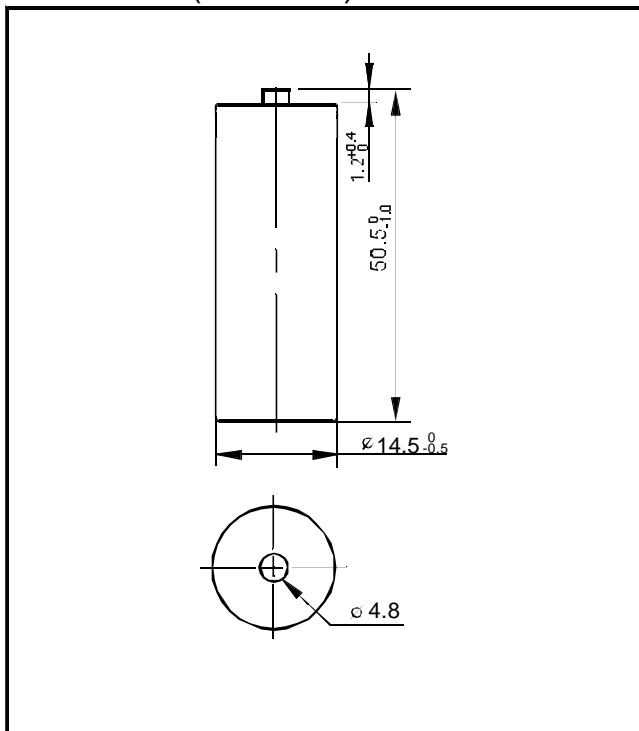
BYD Ni-MH Battery Individual Data Sheets

TYPE: H-AA2100A(HR15/51)

Specifications

Nominal voltage		1.2V		
Capacity ¹		0.2C Discharge		
	Minimum	2000mAh ²		
	Typical ³	2100mAh		
Dimensions	Diameter	mm	inch	
	Height	14.5 ⁰ _{-0.5}	0.57 ⁰ _{-0.020}	
Weight ⁴		Grams	Ounces	
		30	1.06	
Internal impedance ⁴ at 1000Hz.		25m (Aftercharge)		
Charge	Standard	210mA(0.1C) X 15hrs		
	Rapid	2100mA(1C) X 1.2hrs		
Ambient temperature	Charge		°C	°F
		Standard	0°C to 45°C	32°F to 113°F
	Rapid	10°C to 40°C	50°F to 104°F	
	Discharge	-20°C to 65°C	-4°F to 149°F	
	Storage	-20°C to 45°C	-4°F to 113°F	

Dimensions(with tube) (mm)

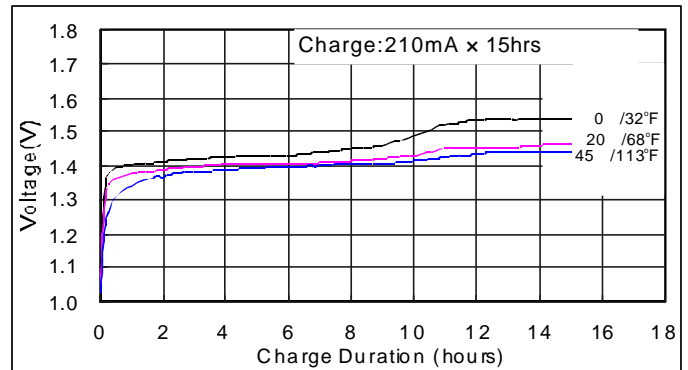


Note:

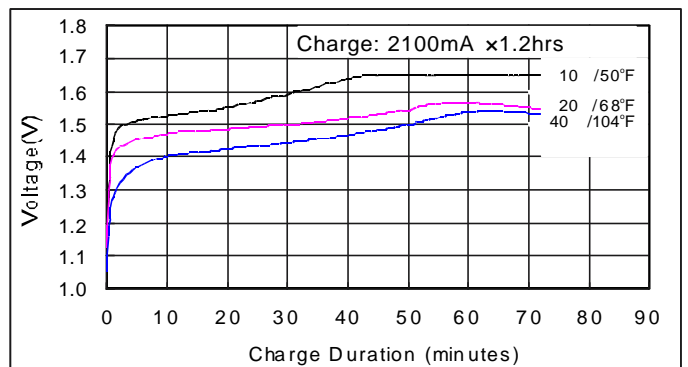
1. After charging at 0.1C for 15 hours.
2. Nominal capacity, rated at 0.2C, 20°C
3. Average capacity. For reference only.
4. Weight and internal impedance are for reference.

Typical Characteristics

Standard charge characteristics



Rapid charge characteristics



Discharge characteristics at various rate

