
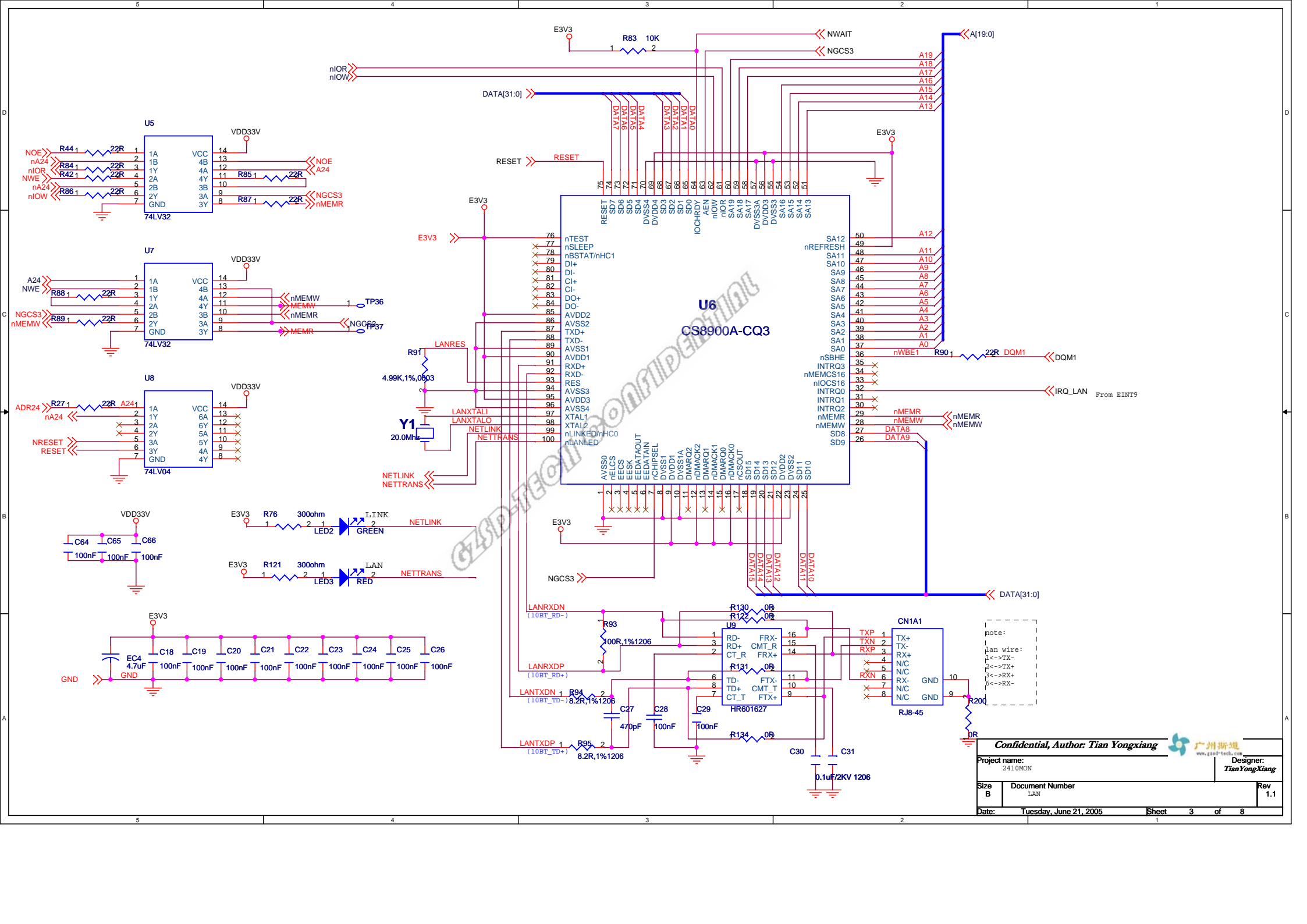


GZSD-TECH CONFIDENTIAL

Confidential, Author: Tian Yongxiang			 广州新迪 www.gzsd-tech.com
Project name:		Designer: TianYongXiang	
Size B	Document Number <b>Audio</b>	Rev 1.1	
Date:	Tuesday, June 21, 2005	Sheet	1 of 8

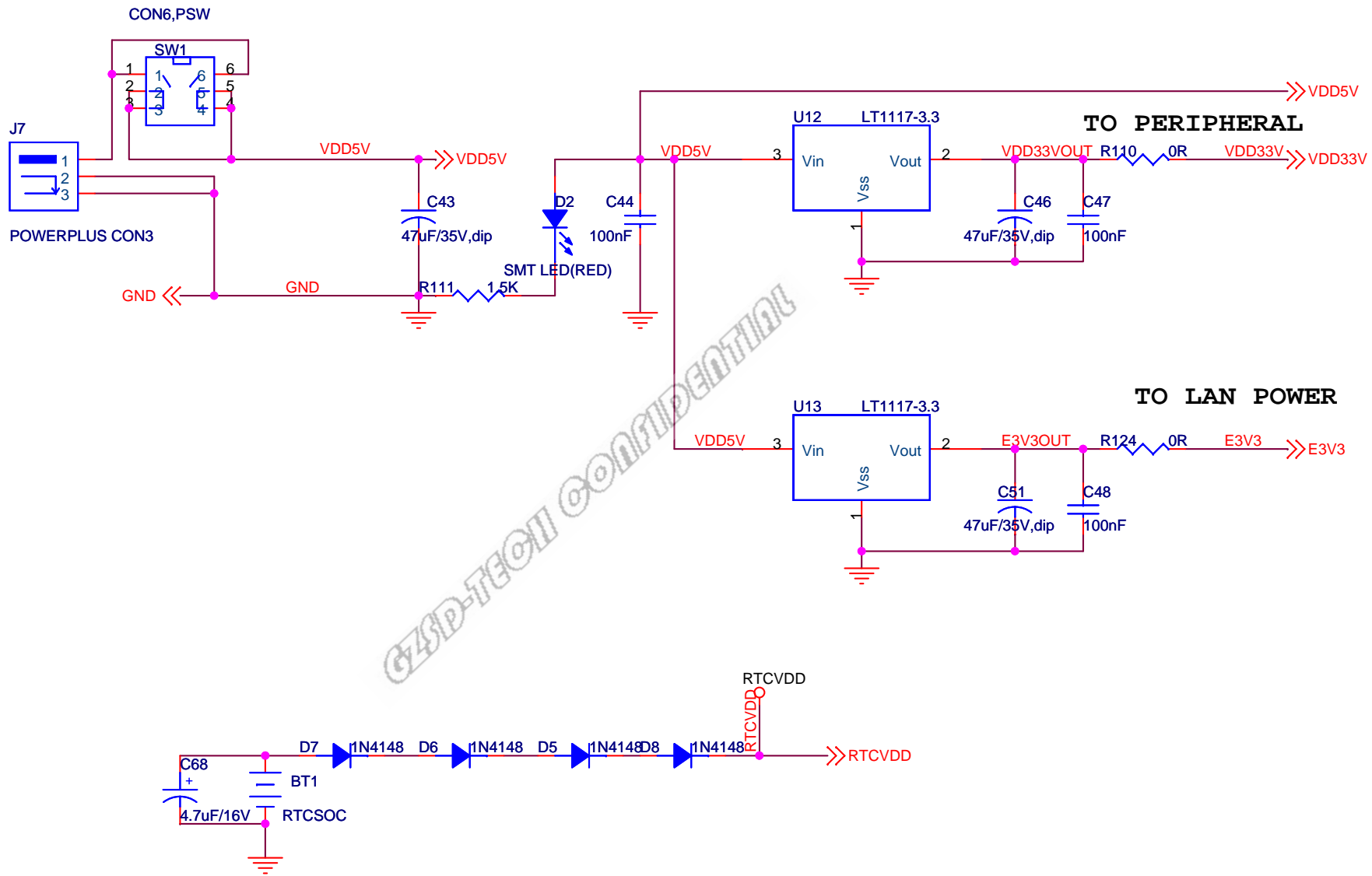





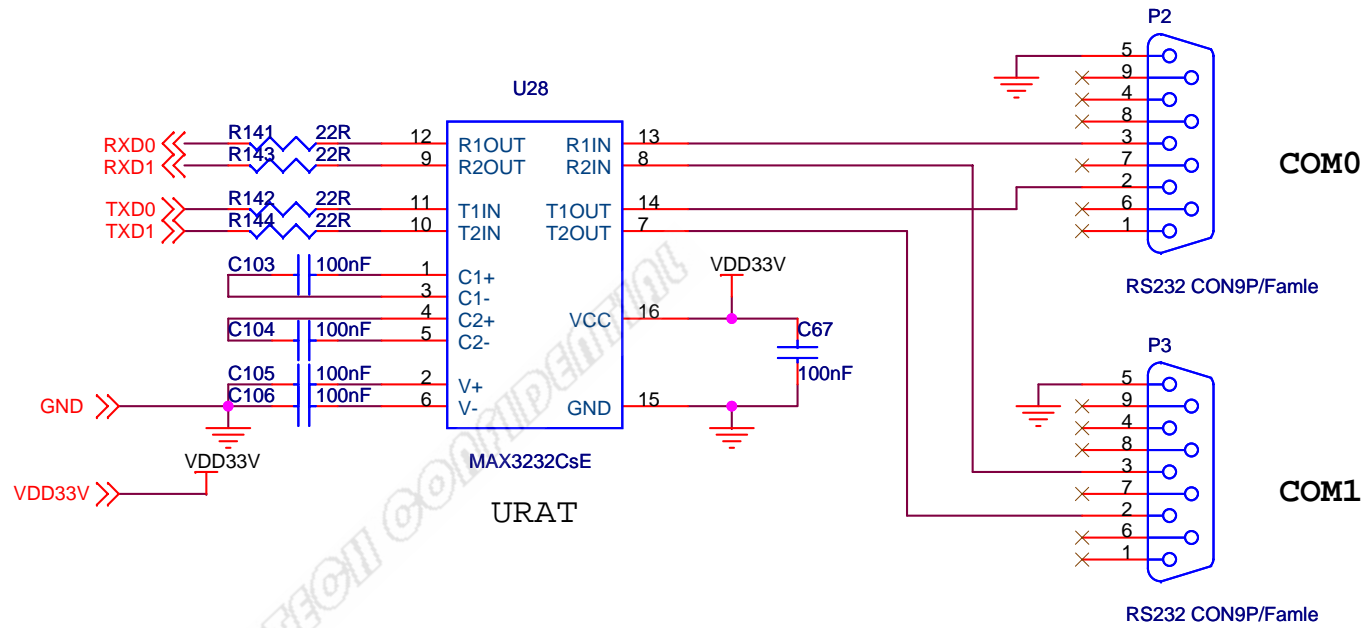
```


note:
lan wire:
|<->TX-
|>->TX+
|<->RX-
|>->RX+
|<->N/C
|>->N/C

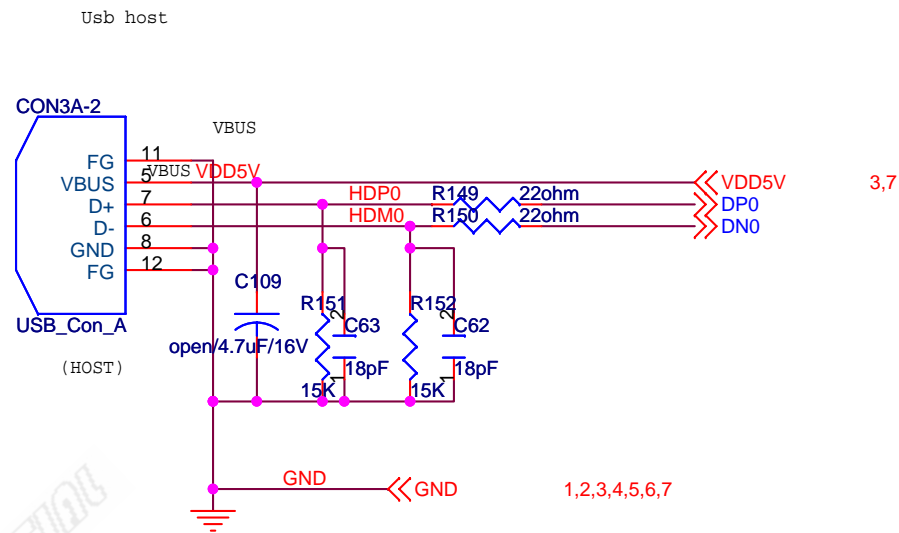
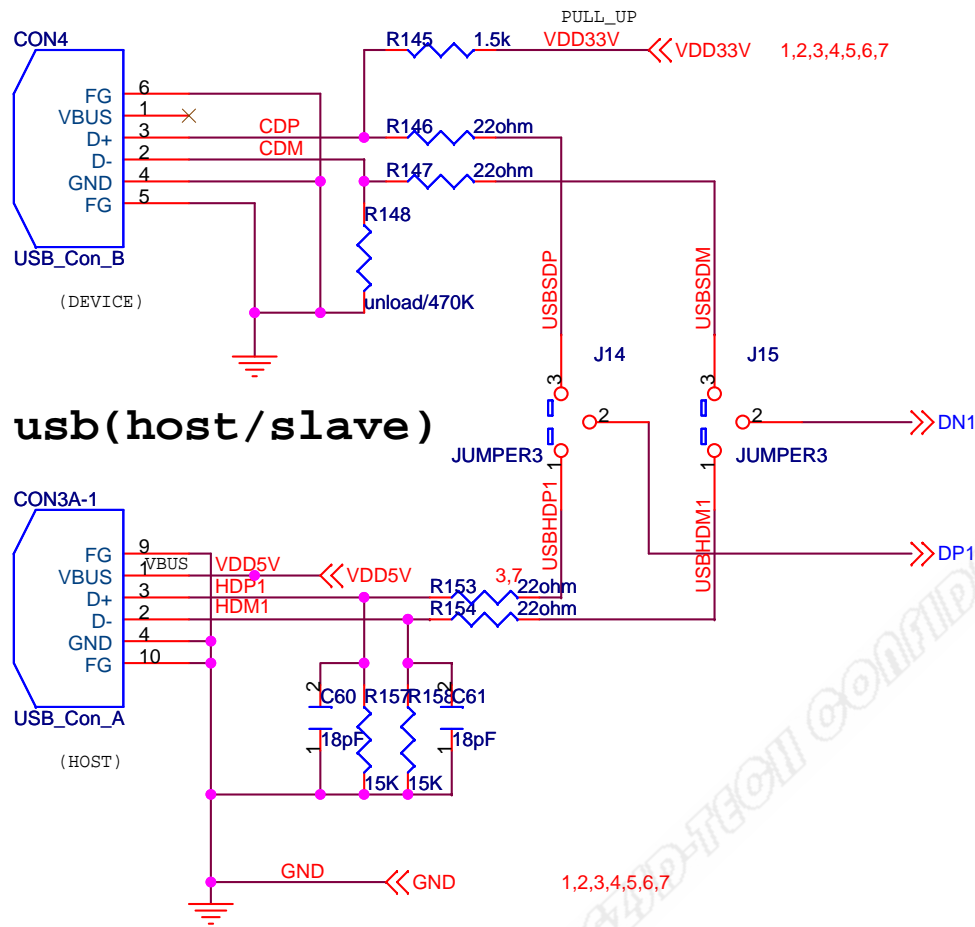
```




<b>Confidential, Author: Tian Yongxiang</b>			 <b>广州斯道</b> www.gzsd-tech.com
Project name: 2410MON		Designer: <b>TianYongXiang</b>	
Size A	Document Number touch		Rev 1.1
Date: Tuesday, June 21, 2005		Sheet 5 of 8	



<b>Confidential, Author: Tian Yongxiang</b>			 广州斯道 www.gzsd-tech.com
Project name: 2410MON		Designer: TianYongXiang	
Size A	Document Number UART	Rev 1.1	
Date:	Tuesday, June 21, 2005	Sheet	7 of 8



CONFIDENTIAL

<b>Confidential, Author: Tian Yongxiang</b>			 广州斯道 www.gzsd-tech.com
Project name:		Designer: <b>TianYongXiang</b>	
Size A	Document Number USB	Rev 1.1	
Date: Tuesday, June 21, 2005		Sheet 8 of 8	