

LEGEND

← MICROCONTROLLER PIN

RESISTOR

LED

INFRARED PHOTODIODE

NO SWITCH

SPST SWITCH

NPN TRANSISTOR

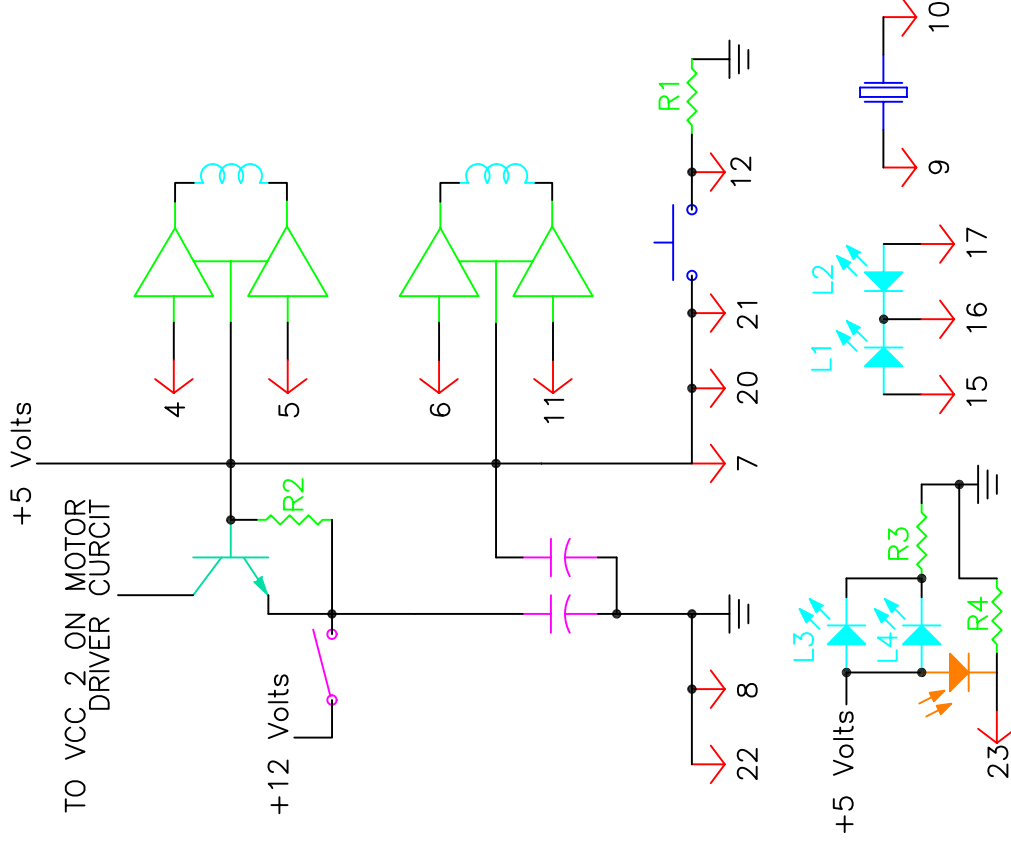
GROUND

CRYSTAL

CAPACITOR

ELECTROMAGNET

FULL H BRIDGE DRIVER



- *R1 IS 470 OHM *R2 IS 5-10 OHM
- *R3 IS DEPENDANT ON YOUR IR LEDS
- *R4 SHOULD BE EQUAL TO THE RESISTANCE OF PHOTODIODE IN AVERAGE LIGHT
- *L1 AND L2 ARE A BICOLOUR LED
- *L3 AND L4 ARE INFRARED LED