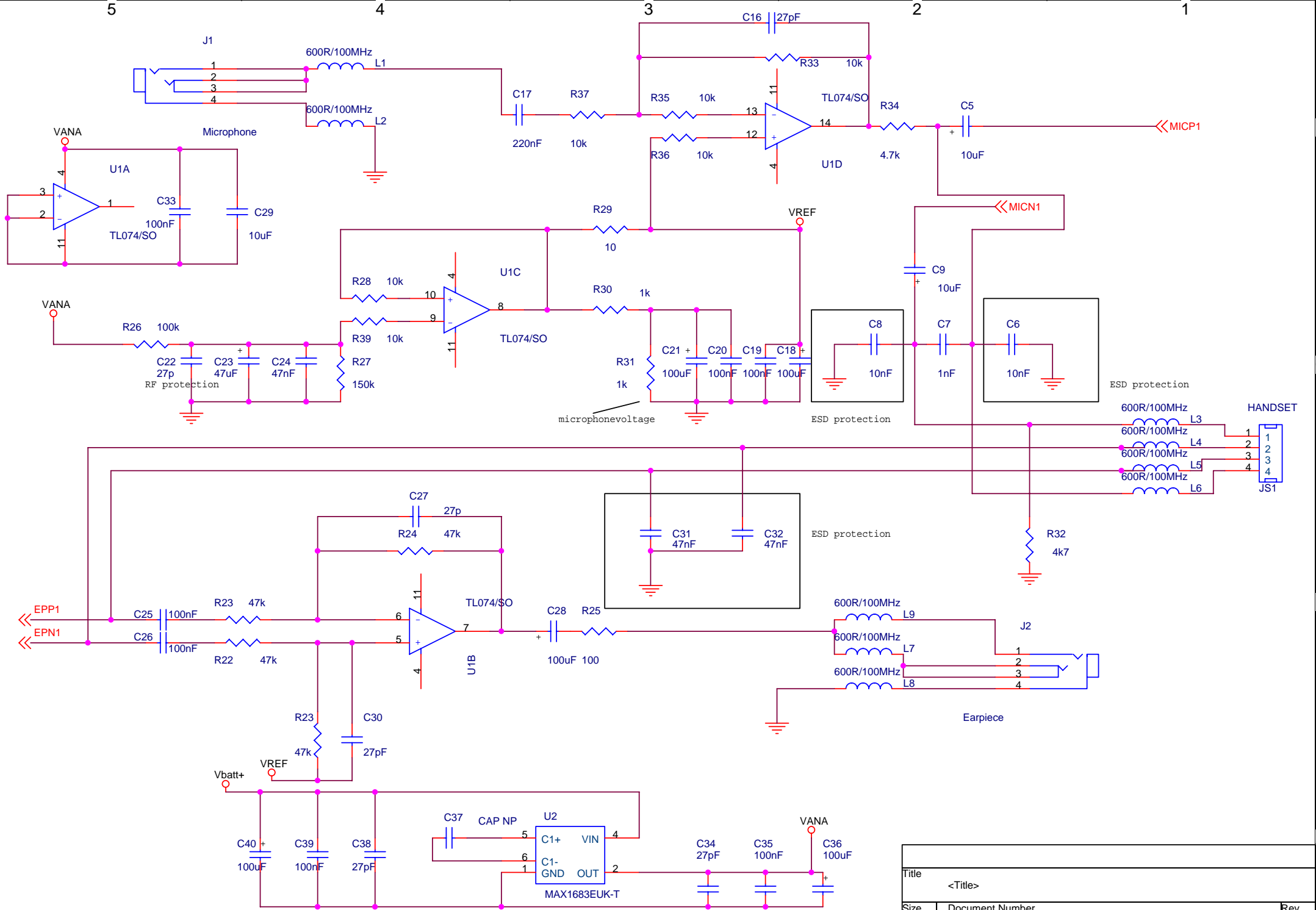
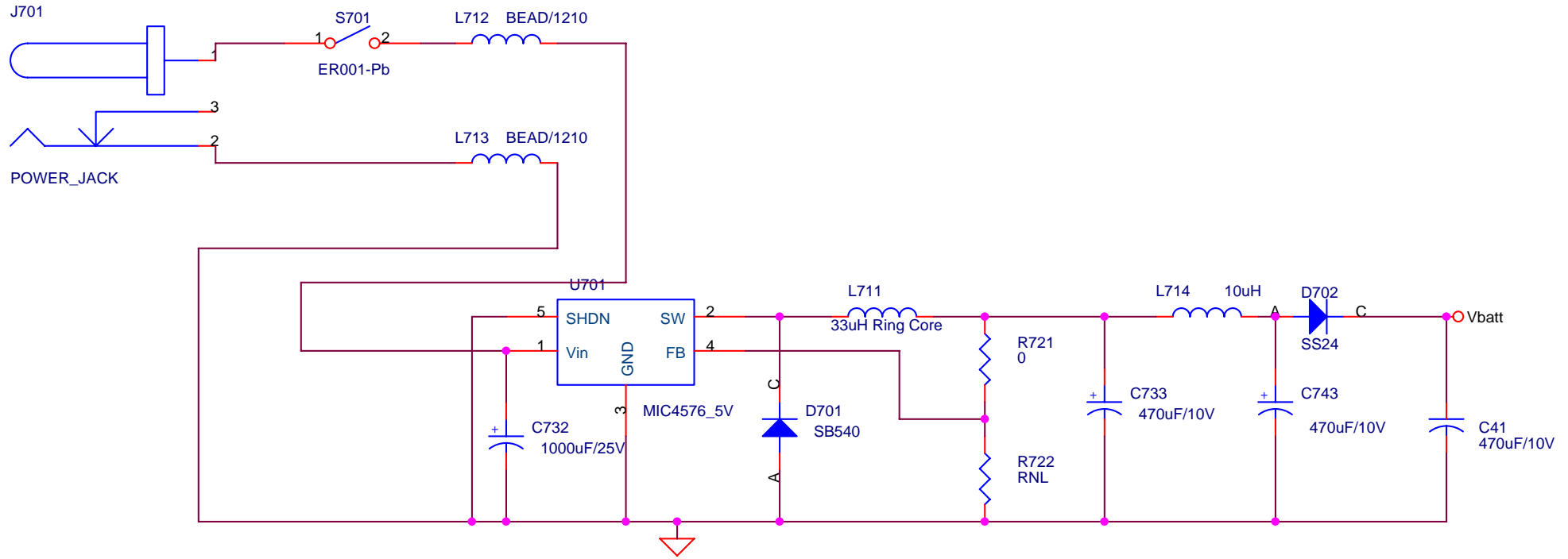


Title		
<Title>		
Size	Document Number	Rev
A4	<Doc>	<Rev Code>
Date:	Monday, January 28, 2002	Sheet 1 of 1



Title		
<Title>		
Size	Document Number	Rev
A4	<Doc>	<Rev Code>
Date:	Monday, January 28, 2002	Sheet 1 of 1



Title		<Title>	
Size	Document Number	Rev	
A	<Doc>	<RevCode>	
Date:	Monday, January 28, 2002	Sheet	1 of 1
			1