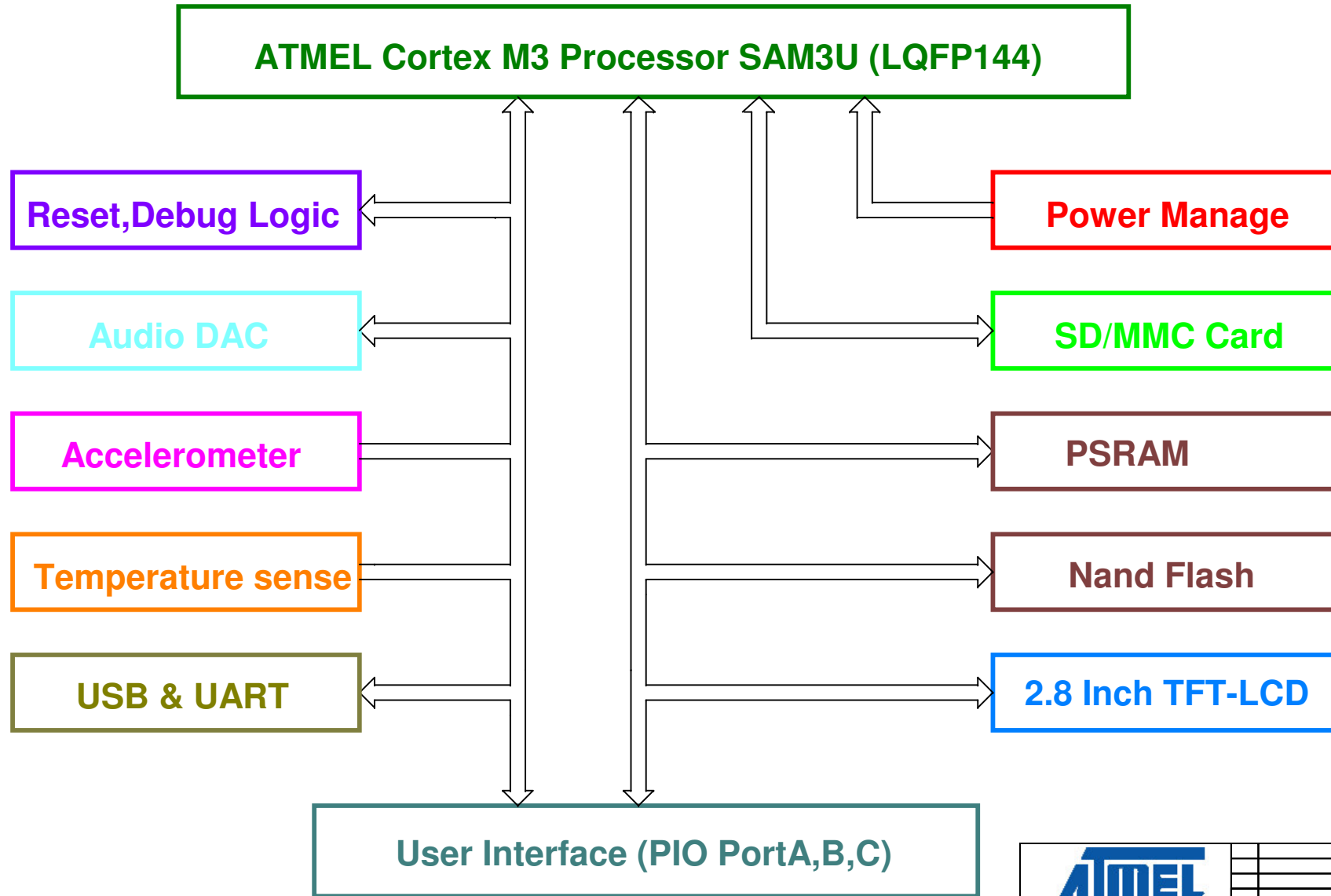




SAM3U-EK RevB Block Diagram



						
B		ZXL	19-MAY-09			
A	INIT EDIT	ZXL	03-FEB-09	XXX	XX-XXX-XX	
REV	MODIF.	DES.	DATE	VER.	DATE	
SAM3U-EK RevB		SCALE 1/1		REV.	SHEET	
Block Diagram				B	1/15	

This agreement is our property. Reproduction and publication without our written authorization shall expose offender to legal proceedings.

1. SAM3U-EK Revision HISTORY

Rev: A

SCH: SAM3U-EK RevA Data: 2008/12

Note: Original Released

Rev: B


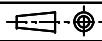
SCH: SAM3U-EK RevB Data: 2009/04

Note: Final Released

2. Explain of Schematics

(1) Resistance Unit: "K" is
"K|."

(2) "DNP" means the component "R" is "!" is not populated by default

						
B		ZXL	19-MAY-09			
A	INIT EDIT	ZXL	03-FEB-09	XXX	XX-XXX-XX	
REV	MODIF.	DES.	DATE	VER.	DATE	
SAM3U-EK RevB		SCALE 1/1		REV. B	SHEET 2/15	
Design notes						
<small>The agreement is our property. Reproduction and publication without our written authorization shall expose offender to legal proceedings.</small>						

{7,8,9,10,11,12,14,15} PA[31:0]

PB[31:0] {5,6,7,11,13,14,15}

MN1A
SAM3U

PA0	109
PA1	111
PA2	113
PA3	115
PA4	117
PA5	119
PA6	121
PA7	123
PA8	128
PA9	130
PA10	132
PA11	133
PA12	134
PA13	87
PA14	88
PA15	91
PA16	93
PA17	95
PA18	99
PA19	100
PA20	101
PA21	102
PA22	77
PA23	103
PA24	105
PA25	106
PA26	107
PA27	64
PA28	45
PA29	46
PA30	78
PA31	48

PA0/WKUP0	
PA1/WKUP1	
PA2/WKUP2	
PA3/CK	
PA4/CDA	
PA5/DA0	
PA6/DA1	
PA7/DA2	
PA8/DA3	
PA9/TWD0	
PA10/TWCK0	
PA11/URXD	
PA12/UTXD	
PA13/MISO	
PA14/MOSI	
PA15/SPCK	
PA16/NPCS0	
PA17/WKUP7	
PA18/WKUP8	
PA19/WKUP9	
PA20/TXD1	
PA21/RXD1	
PA22/RTS1	
PA23/CTS2	
PA24/WKUP11	
PA25/WKUP12	
PA26/TD	
PA27/PCK0	
PA28/TK	
PA29/PWMH1	
PA30/TF	
PA31/RF	

PB0/PWMH0	53
PB1/PWMH1	55
PB2/PWMH2	57
PB3/AD12BAD2	79
PB4/AD12BAD3	80
PB5/AD1	65
PB6/D15	66
PB7/A0/NBS0	67
PB8/A1	68
PB9/D0	31
PB10/D1	30
PB11/D2	59
PB12/D3	61
PB13/D4	62
PB14/D5	29
PB15/D6	97
PB16/D7	96
PB17/NANDOE	26
PB18/NANDWE	25
PB19/NRD	24
PB20/NCS0	23
PB21/A21/NANDALE	21
PB22/A22/NANDCLE	20
PB23/NWR0/NWE	19
PB24/NANDRYD	15
PB25/D8	14
PB26/D9	13
PB27/D10	12
PB28/D11	10
PB29/D12	8
PB30/D13	6
PB31/D14	5

PB0	
PB1	
PB2	
PB3	
PB4	
PB5	
PB6	
PB7	
PB8	
PB9	
PB10	
PB11	
PB12	
PB13	
PB14	
PB15	
PB16	
PB17	
PB18	
PB19	
PB20	
PB21	
PB22	
PB23	
PB24	
PB25	
PB26	
PB27	
PB28	
PB29	
PB30	
PB31	

{5,6,7,10,11,14,15} PC[31:0]


PC[31:0] {5,6,7,10,11,14,15}

PC0	110
PC1	112
PC2	114
PC3	116
PC4	118
PC5	120
PC6	122
PC7	124
PC8	129
PC9	131
PC10	89
PC11	92
PC12	94
PC13	98
PC14	28
PC15	81

PC0/A2	
PC1/A3	
PC2/A4	
PC3/A5	
PC4/A6	
PC5/A7	
PC6/A8	
PC7/A9	
PC8/A10	
PC9/A11	
PC10/A12	
PC11/A13	
PC12/NCS1	
PC13/RXD3	
PC14/NPCS2	
PC15/NWR1/NBS1	

PC16/NCS2	82
PC17/AD12BAD6	83
PC18/AD12BAD7	84
PC19/NPCS1	32
PC20/A14	108
PC21/A15	22
PC22/A16	47
PC23/A17	49
PC24/A18	54
PC25/A19	56
PC26/PWMH2	58
PC27/A23	63
PC28/DA4	69
PC29/DA5	70
PC30/DA6	71
PC31/DA7	72

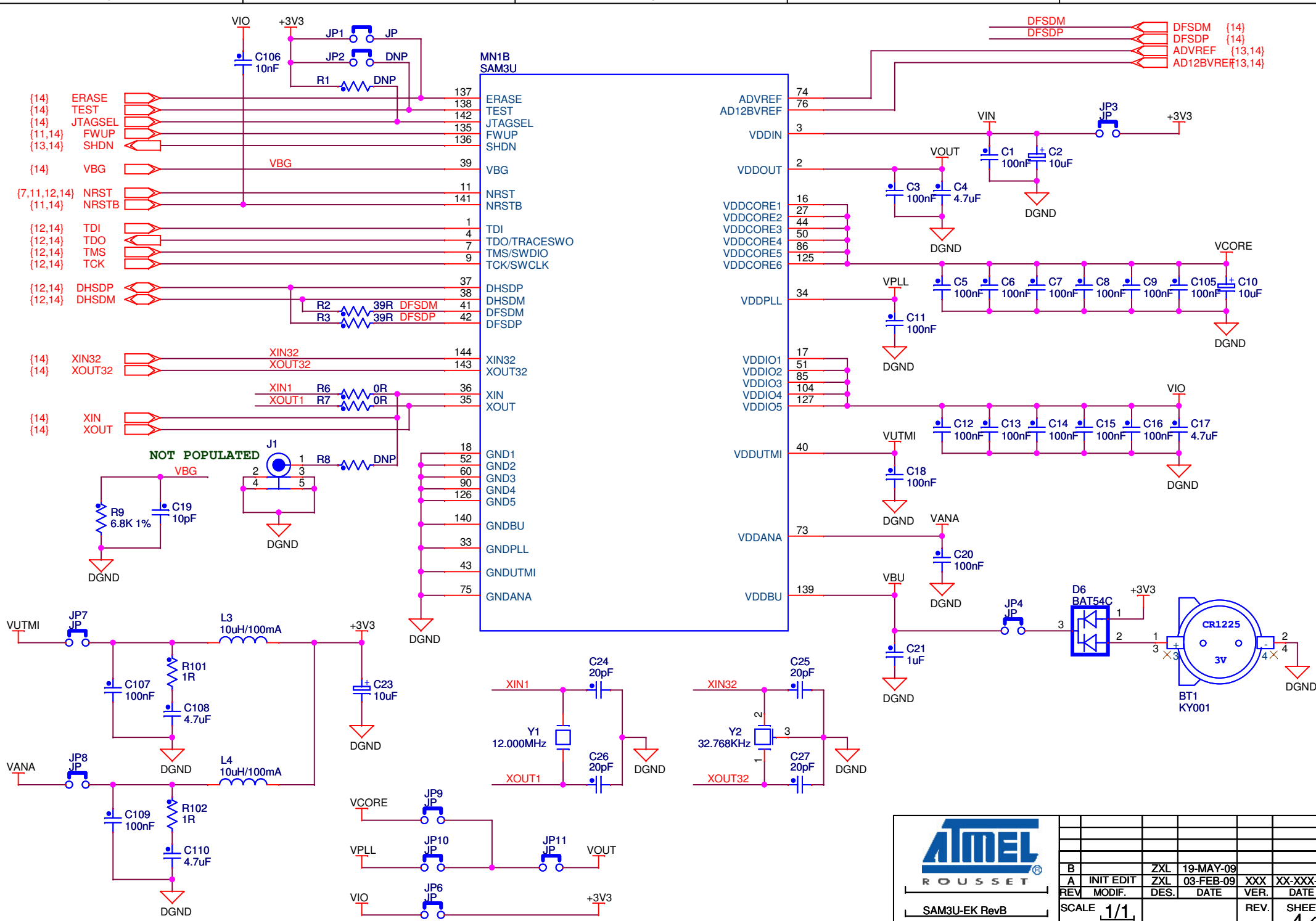
PC16	
PC17	
PC18	
PC19	
PC20	
PC21	
PC22	
PC23	
PC24	
PC25	
PC26	
PC27	
PC28	
PC29	
PC30	
PC31	



SAM3U-EK RevB

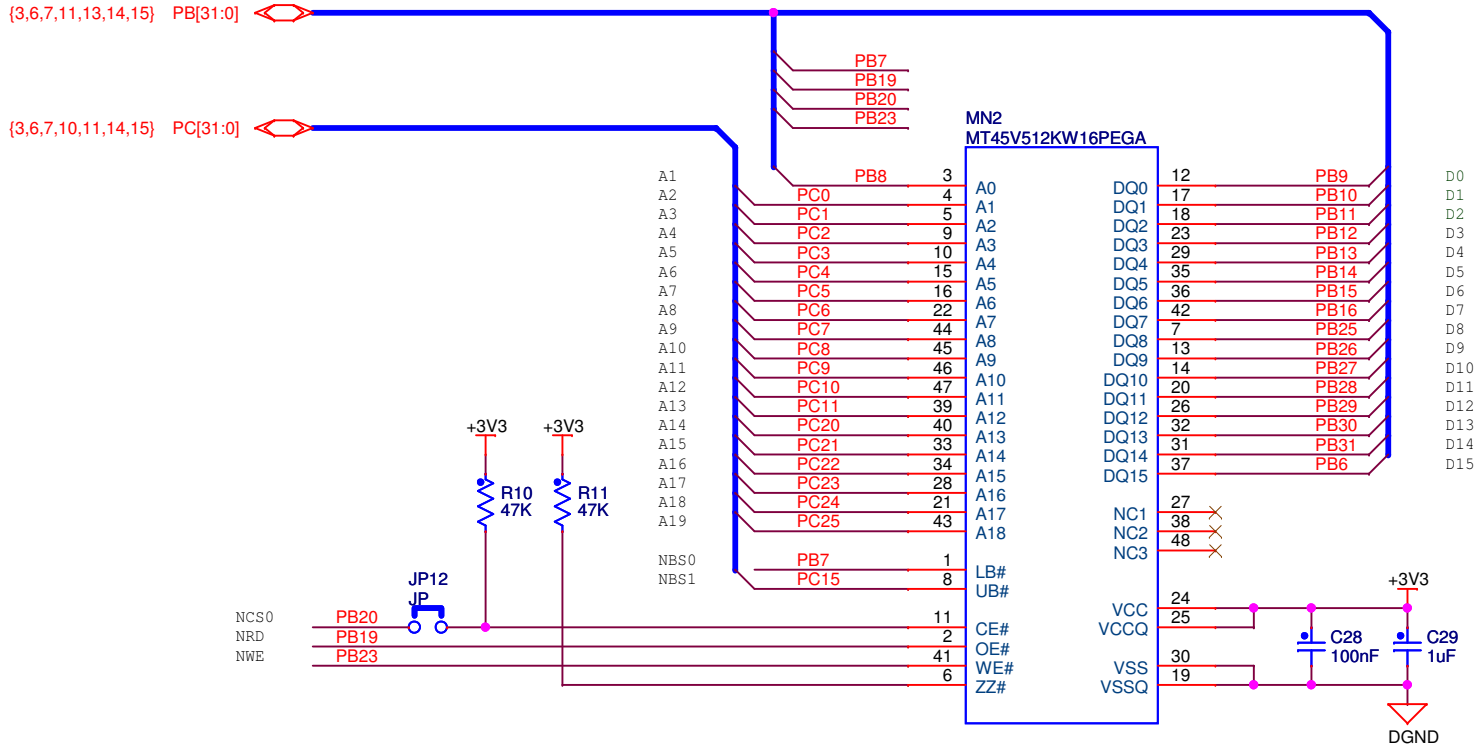
SAM3U PIO

B	ZXL	19-MAY-09			
A	INIT EDIT	ZXL	03-FEB-09	XXX	XX-XXX-XX
REV	MODIF.	DES.	DATE	VER.	DATE
SCALE	1/1			REV.	SHEET
				B	3/15



		REV	MODIF.	DES.	DATE	VER.	DATE
		SCALE	1/1				
SAM3U-EK RevB SAM3U CPU		ZXL 19-MAY-09 ZXL 03-FEB-09		XXX XX-XXX-XX	REV. DATE B 4/15		

The agreement is our property. Reproduction and publication without our written authorization shall expose offender to legal proceedings.



		B	ZXL	19-MAY-09			
SAM3U-EK RevB EBI Memory 1MB PSRAM		A	INIT EDIT	ZXL	03-FEB-09	XXX	XX-XXX-XX
SCALE 1/1 		REV	MODIF.	DES.	DATE	VER.	SHEET
						B	5/15

The agreement is our property. Reproduction and publication without our written authorization shall expose offender to legal proceedings.

{3,5,7,11,13,14,15} PB[31:0]

{3,5,7,10,11,14,15} PC[31:0]

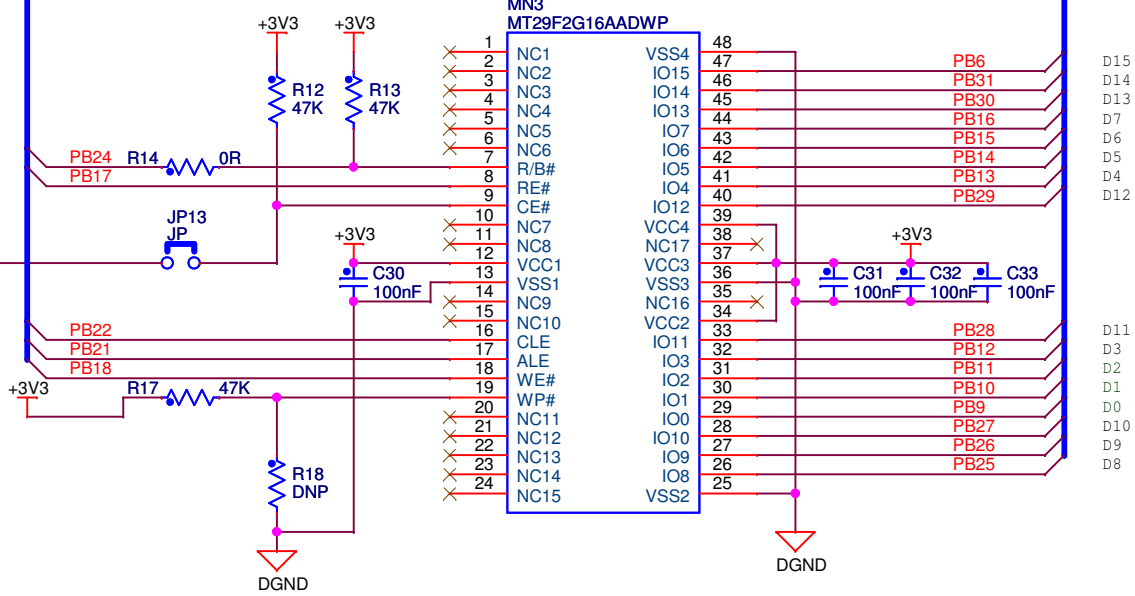
NANDRDY
NANDOE

NANDCLE
NANDALE
NANDWE

NCS1

PC12

MN3
MT29F2G16AADWP



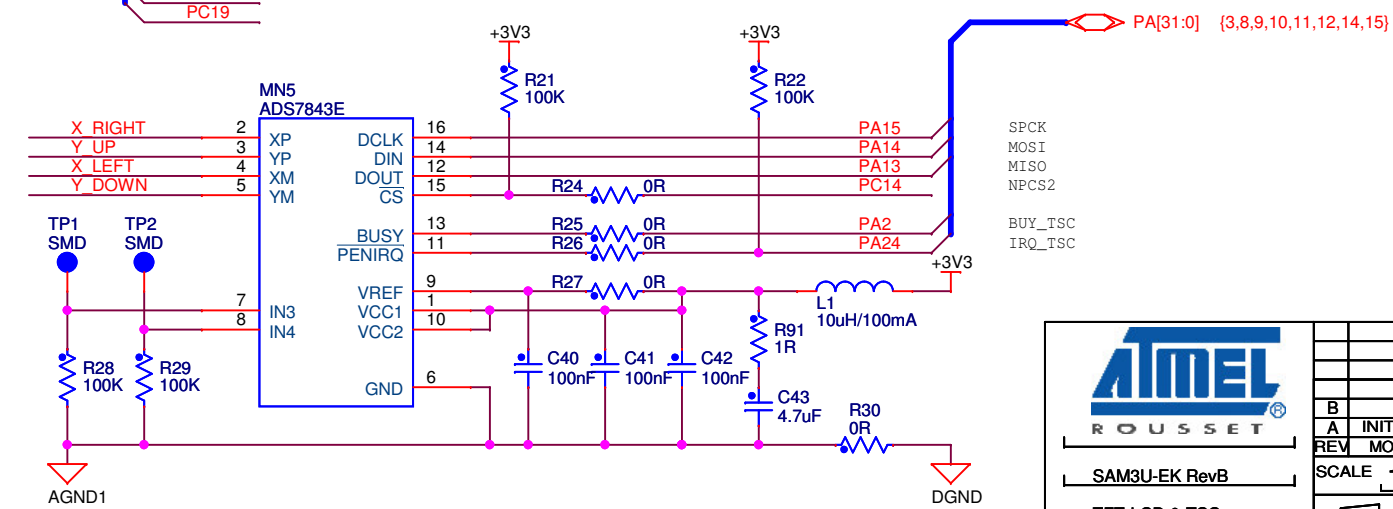
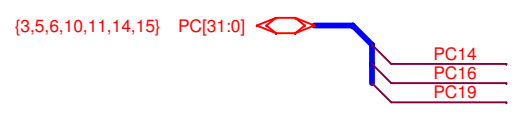
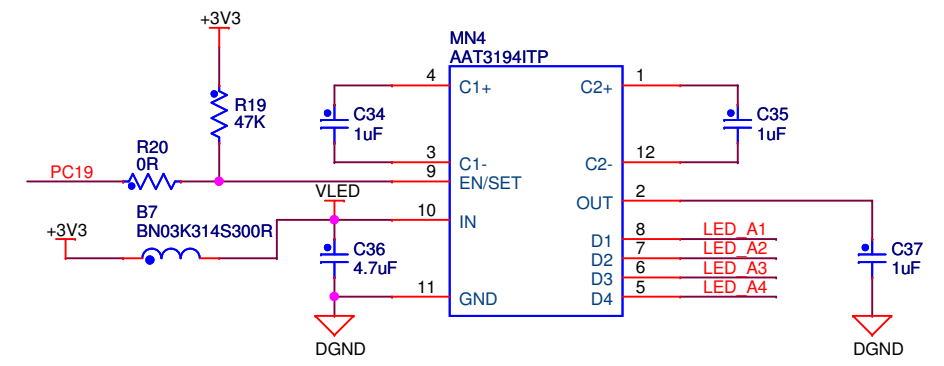
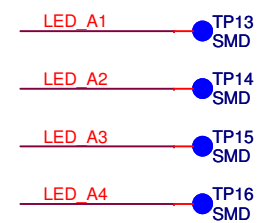
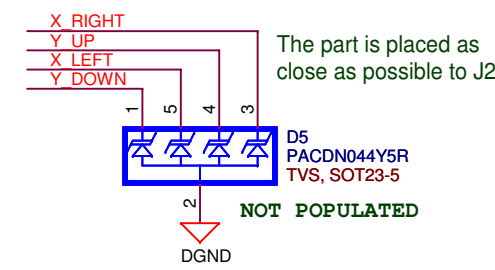
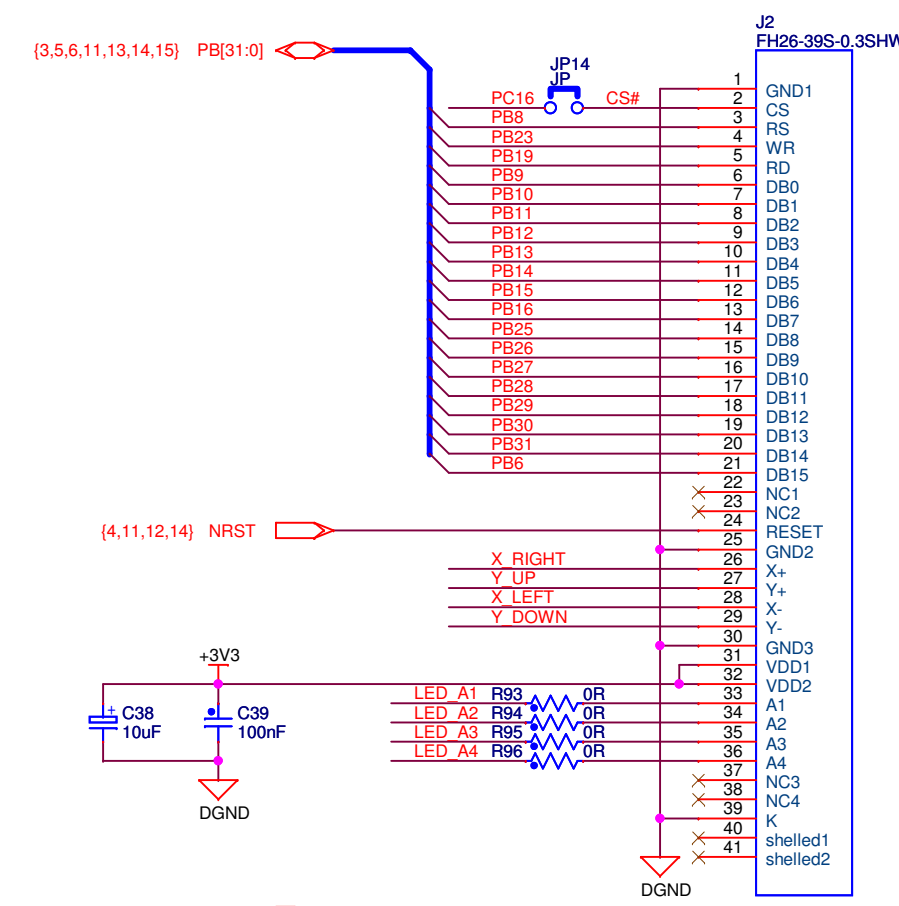
D15
D14
D13
D7
D6
D5
D4
D12

D11
D3
D2
D1
D0
D10
D9
D8



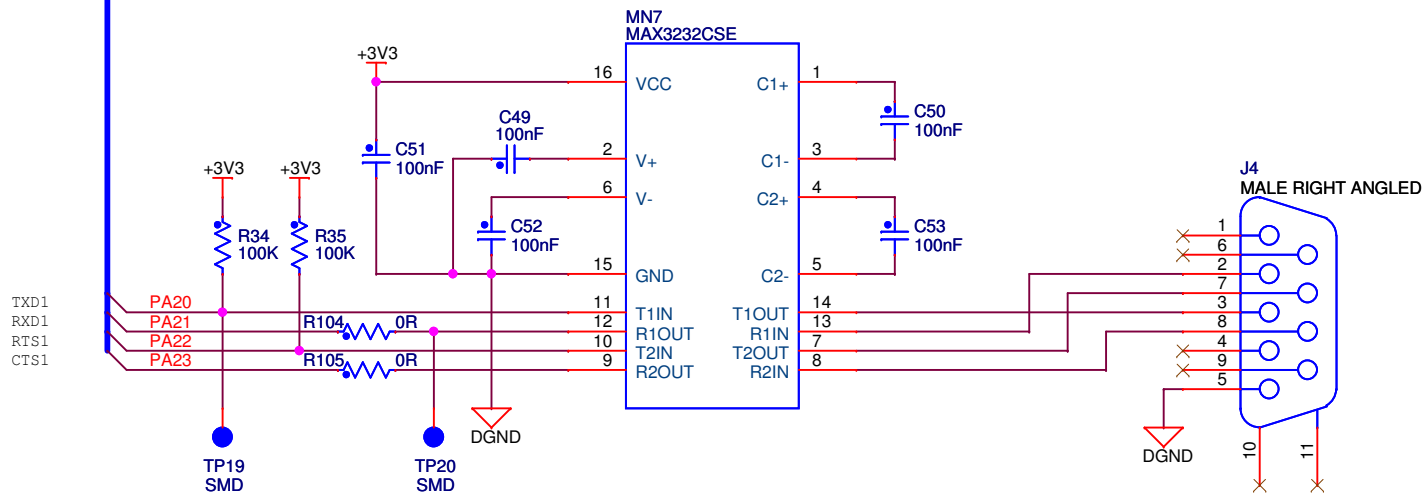
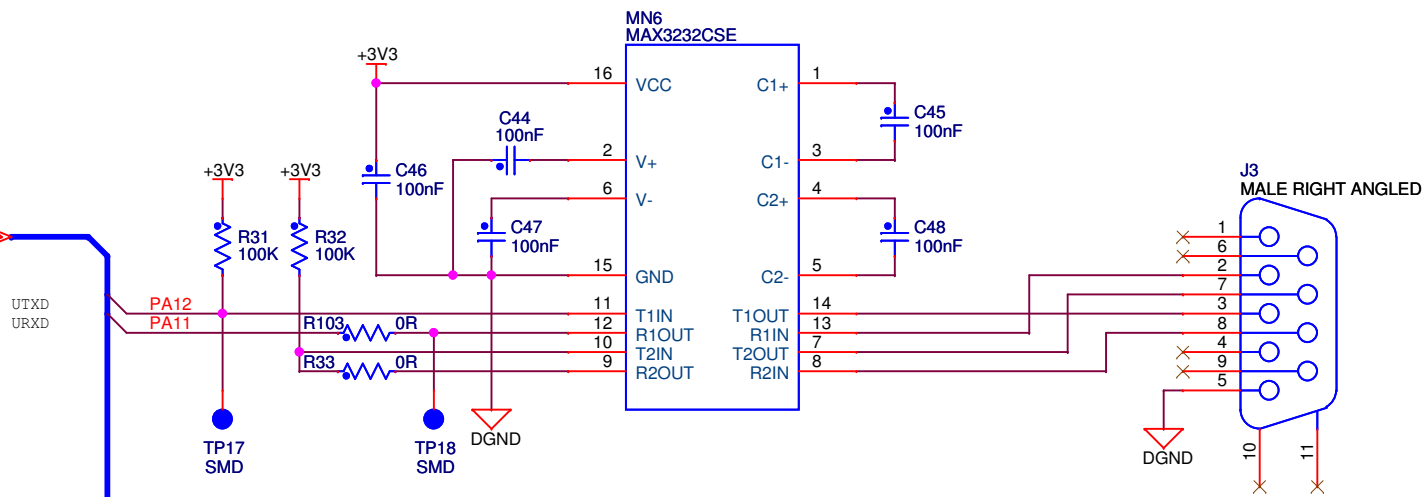
SAM3U-EK RevB
EBI Memory II NAND FLASH

REV	MODIF.	DES.	DATE	VER.	SHEET
B		ZXL	19-MAY-09		
A	INIT EDIT	ZXL	03-FEB-09	XXX	XX-XXX-XX
SCALE 1/1				REV. B	SHEET 6/15

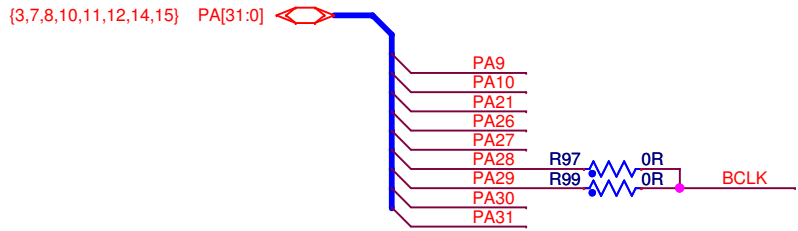
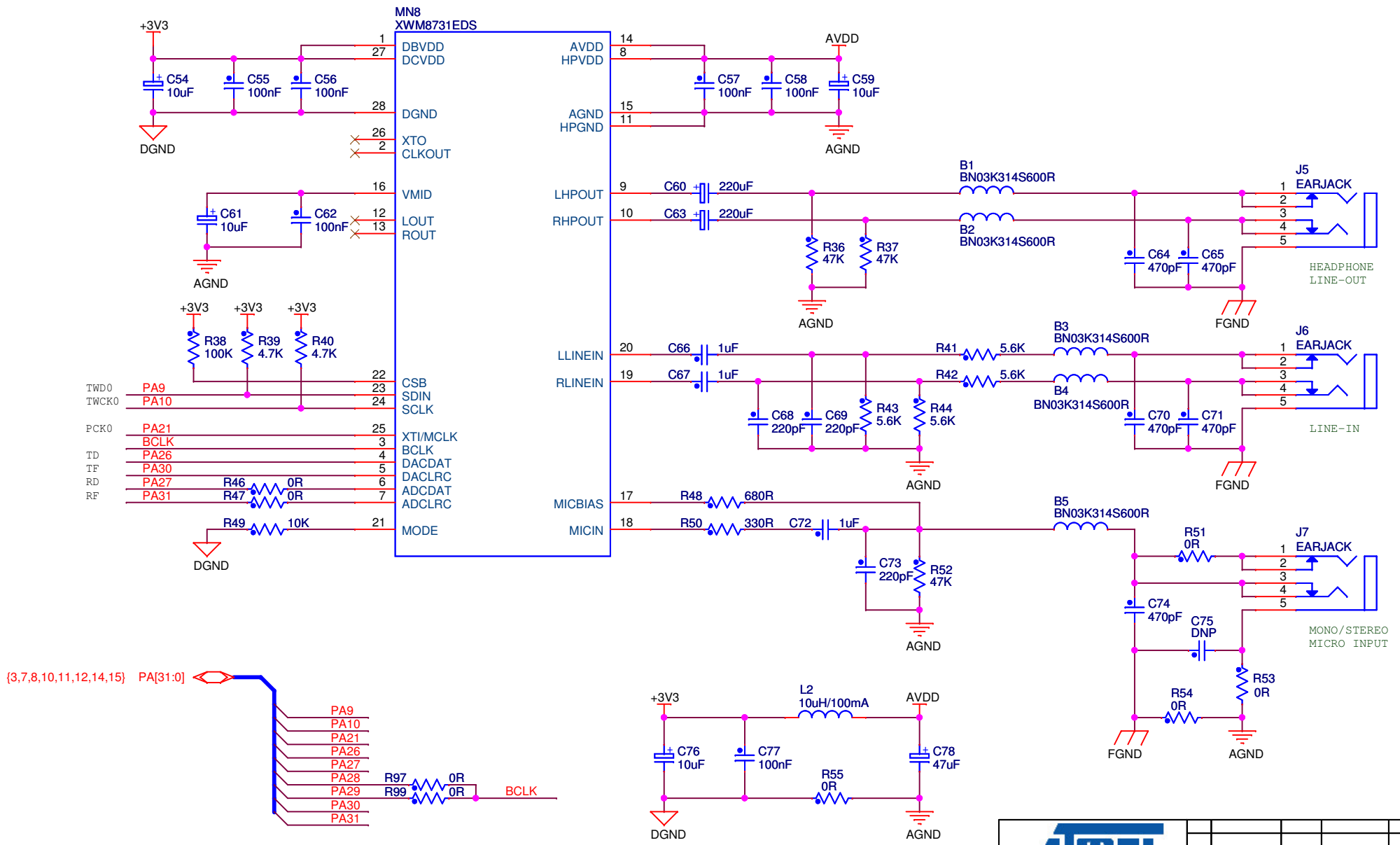


		REV	MODIF.	DES.	DATE	VER.	SHEET
		SCALE	1/1				
SAM3U-EK RevB						REV.	SHEET
TFT-LCD & TSC						B	7/15

{3,7,9,10,11,12,14,15} PA[31:0]

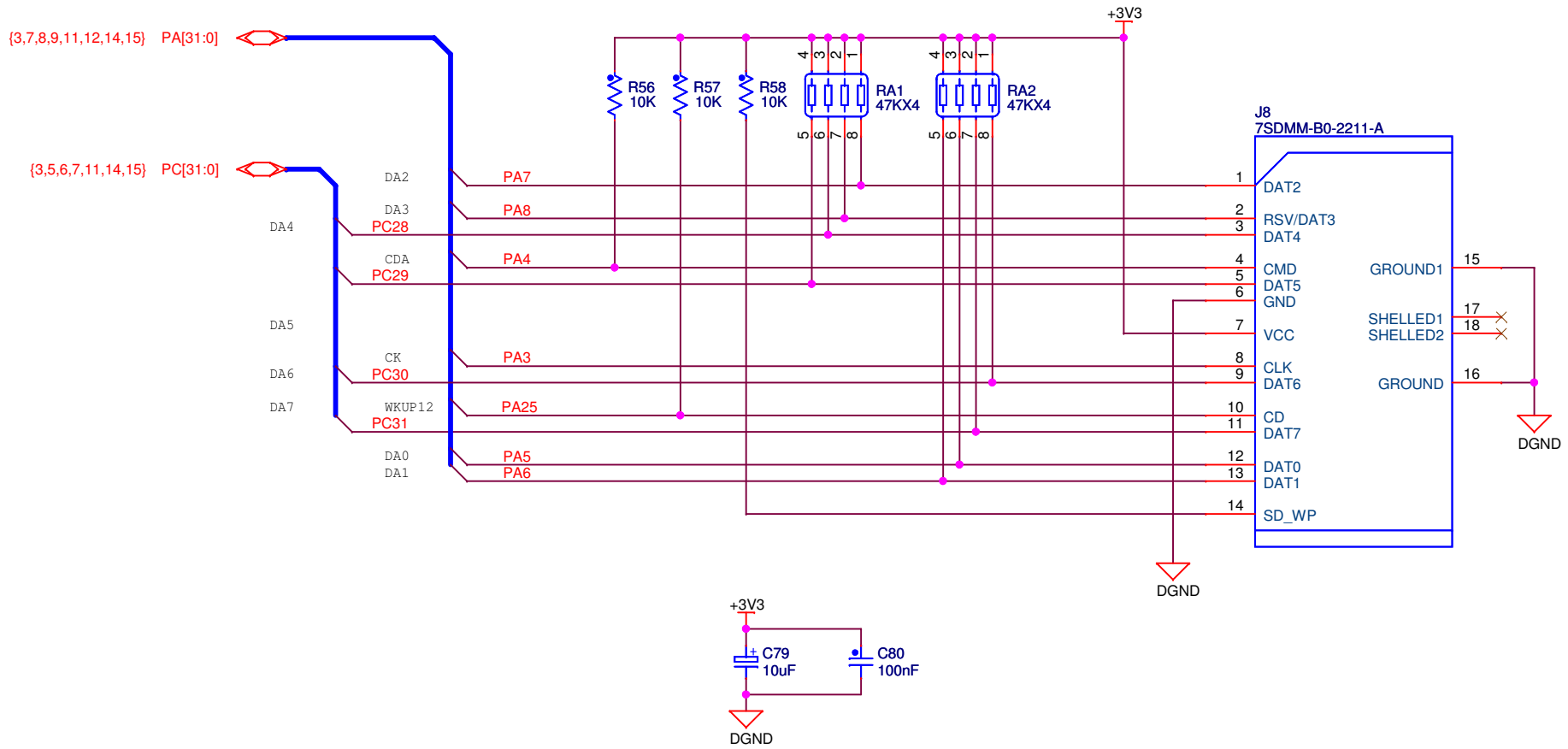


B		ZXL	19-MAY-09		
A	INIT EDIT	ZXL	03-FEB-09	XXX	XX-XXX-XX
REV	MODIF.	DES.	DATE	VER.	DATE
SAM3U-EK RevB		SCALE 1/1		REV. B	SHEET 8/15
UART & COM1 RS232					
The agreement is our property. Reproduction and publication without our written authorization shall expose offender to legal proceedings.					

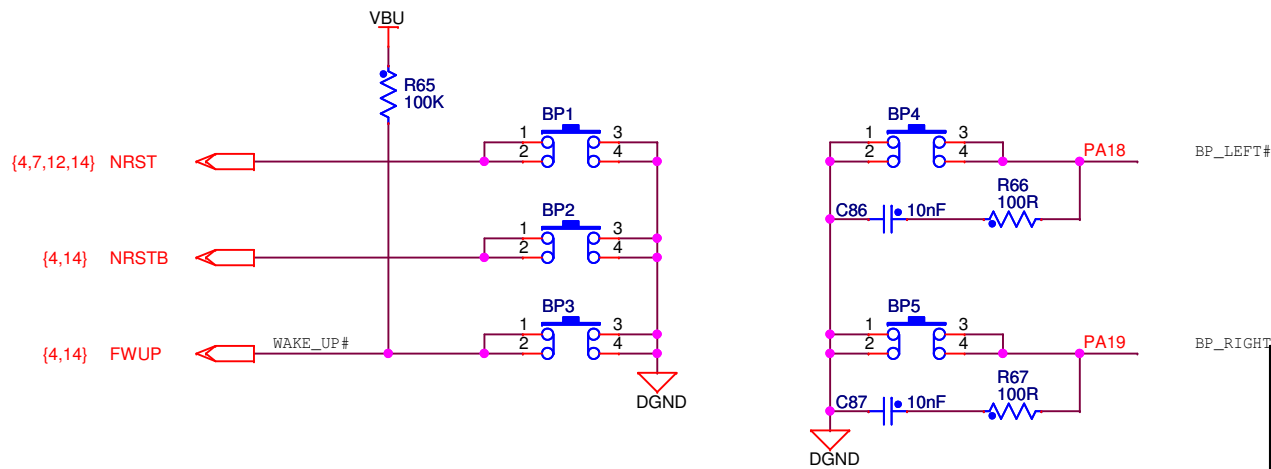
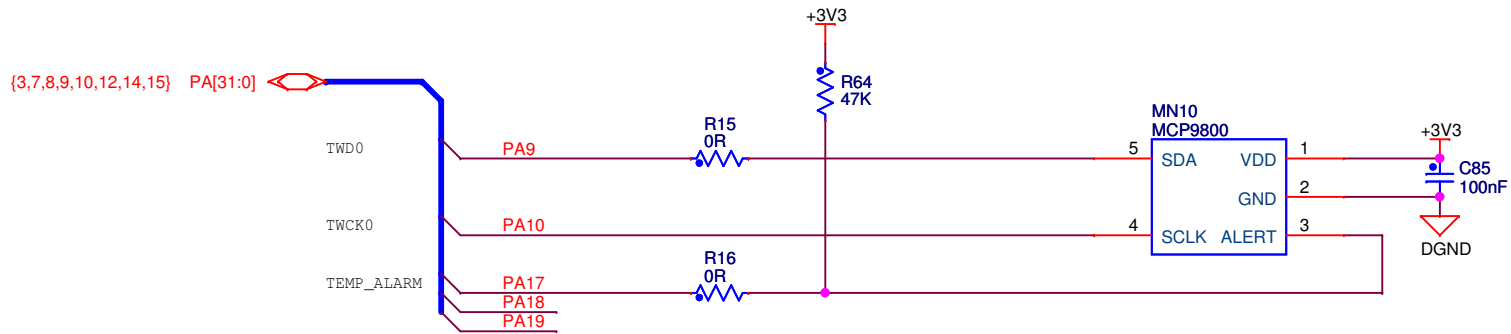
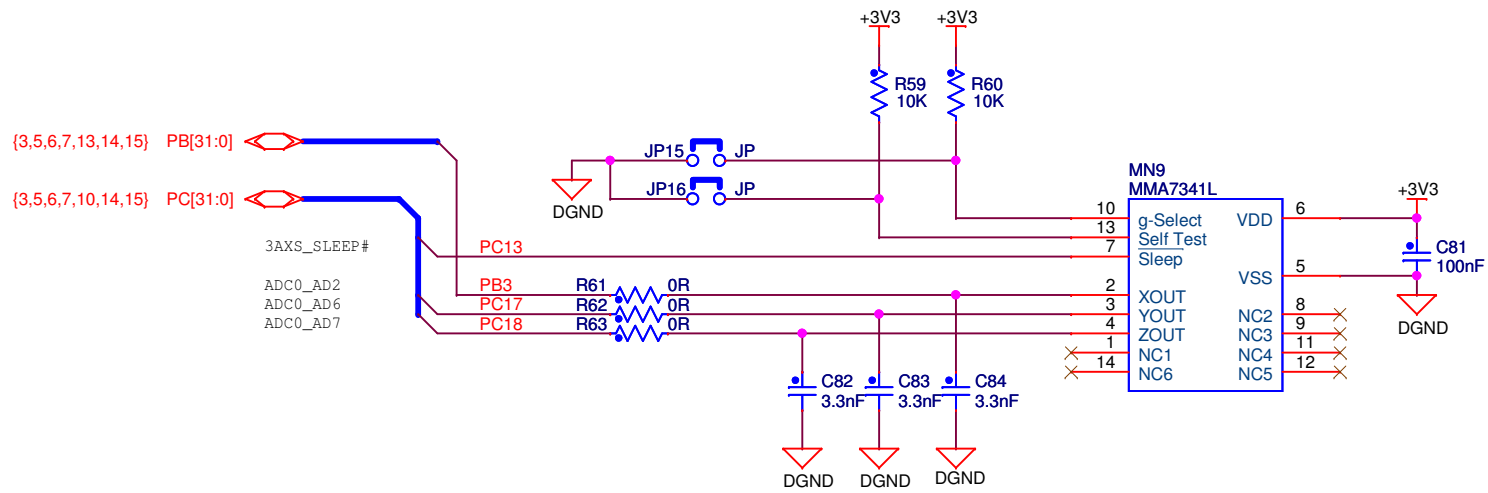


		DES.	ZXL	19-MAY-09	VER.	
		DATE	ZXL	03-FEB-09	XXX	XX-XXX-XX
SAM3U-EK RevB		SCALE	1/1		REV.	B
Audio DAC				SHEET 9/15		

This agreement is our property. Reproduction and publication without our written authorization shall expose offender to legal proceedings.

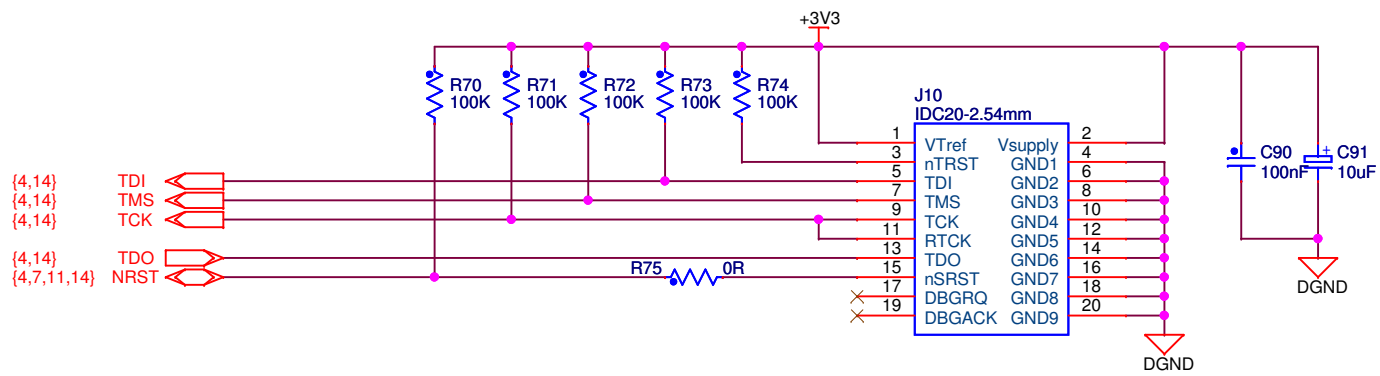
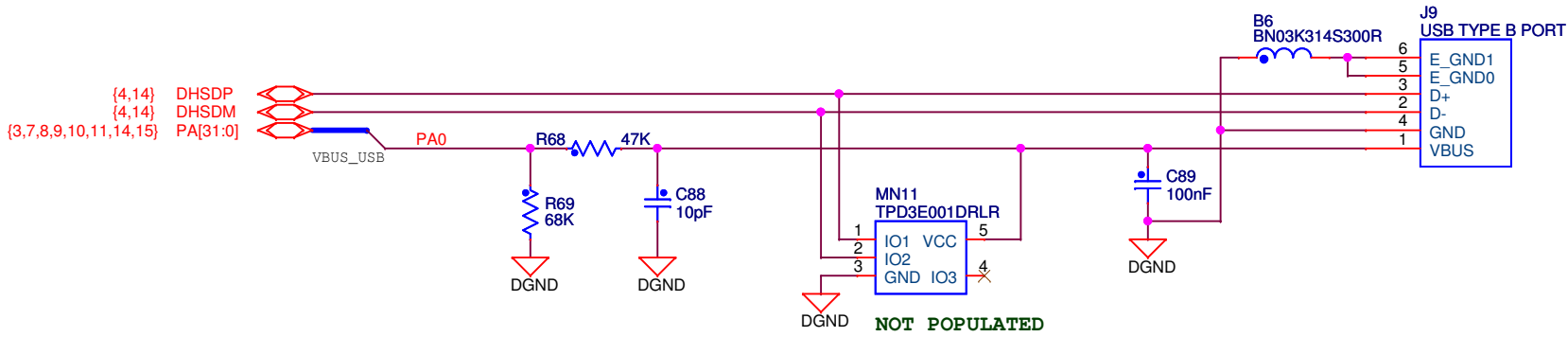


B		ZXL	19-MAY-09			
A	INIT EDIT	ZXL	03-FEB-09	XXX	XX-XXX-XX	
REV	MODIF.	DES.	DATE	VER.	DATE	
SAM3U-EK RevB		SCALE 1/1		REV. B	SHEET 10/15	
SD/MMC interface						
This agreement is our property. Reproduction and publication without our written authorization shall expose offender to legal proceedings.						



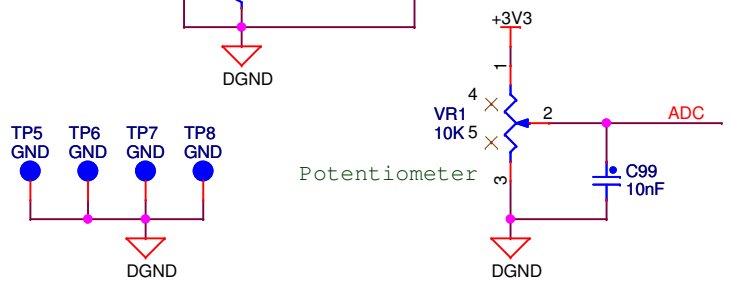
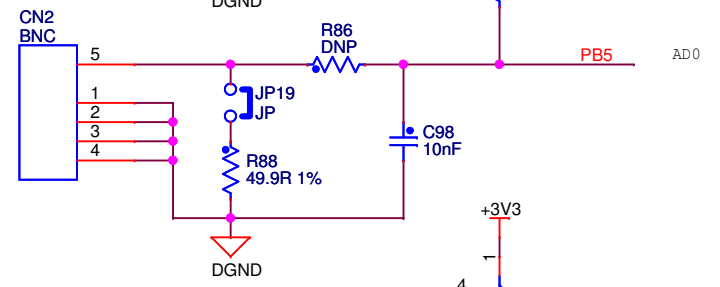
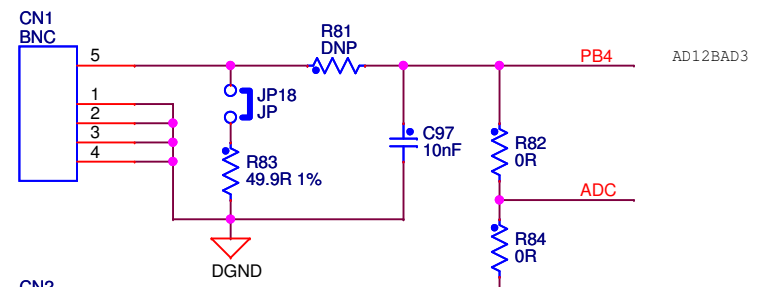
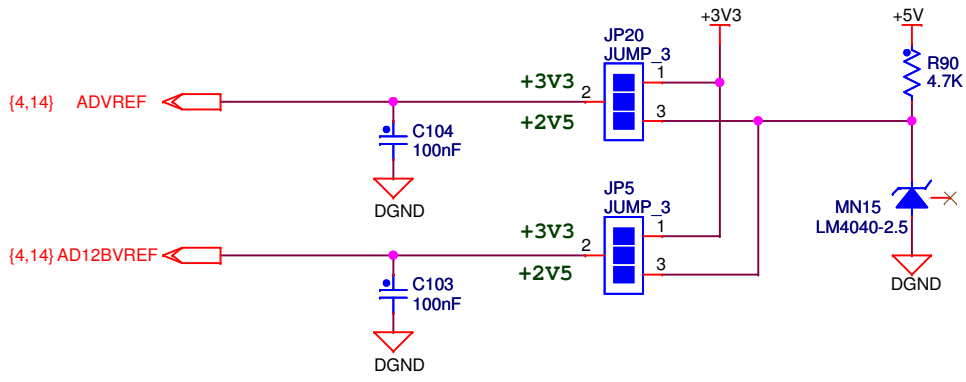
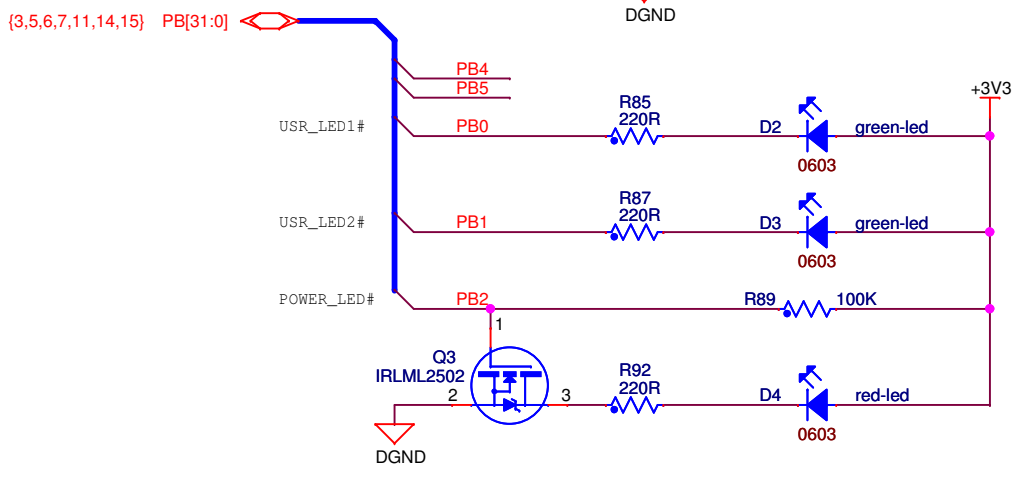
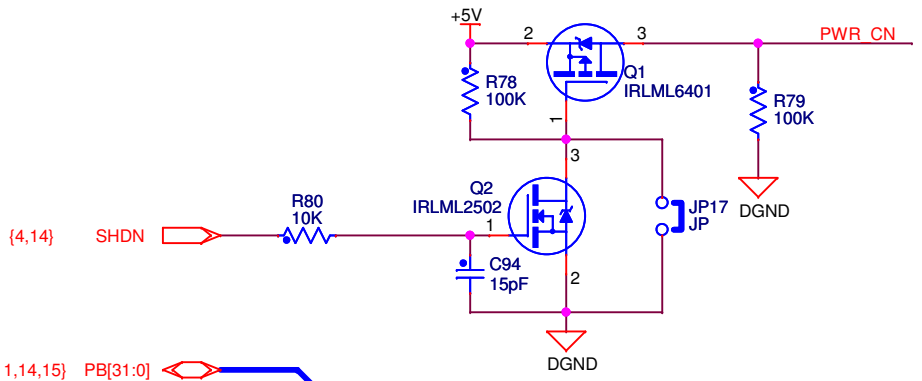
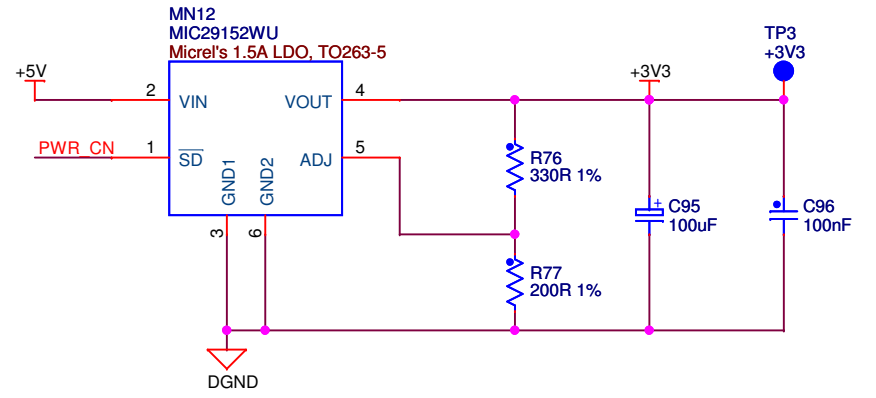
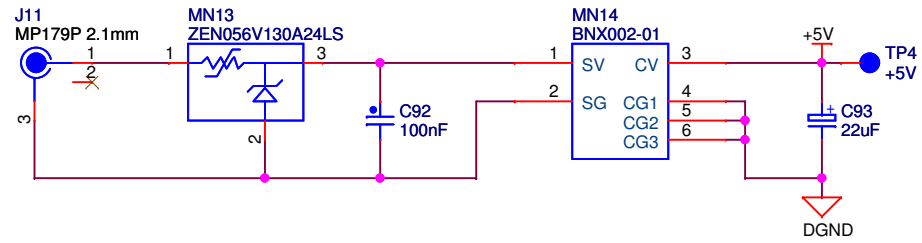
		REV	MODIF.	DES.	DATE	VER.	DATE
		B	INIT EDIT	ZXL	19-MAY-09		
SAM3U-EK RevB Accelerometer,Temp.Buttons		SCALE	1/1			REV.	SHEET
						B	11/15

The agreement is our property. Reproduction and publication without our written authorization shall expose offender to legal proceedings.



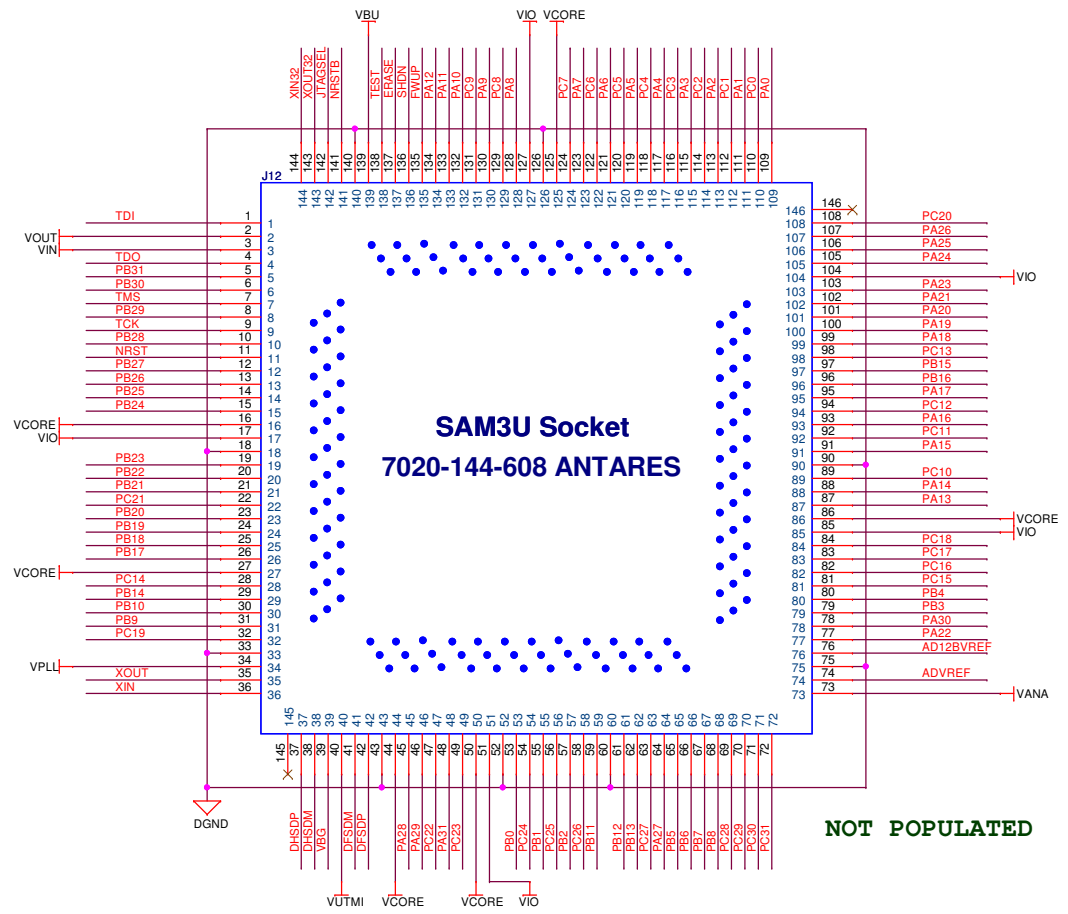
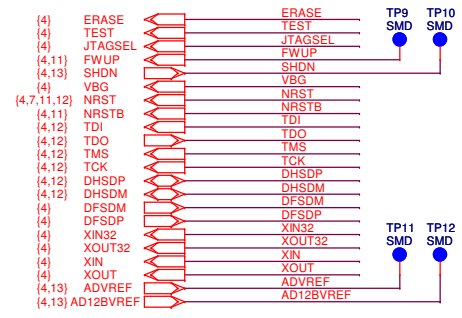
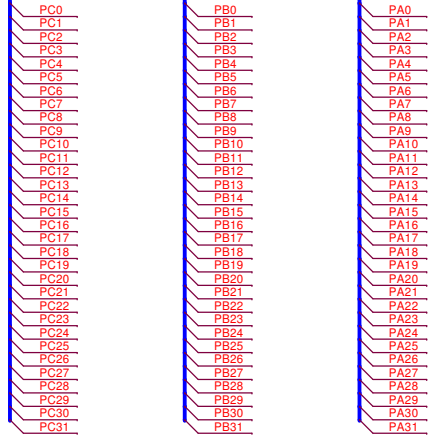
B		ZXL	19-MAY-09		
A	INIT EDIT	ZXL	03-FEB-09	XXX	XX-XXX-XX
REV	MODIF.	DES.	DATE	VER.	DATE
SCALE 1/1				REV. B	SHEET 12/15
SAM3U-EK RevB					
USB & JTAG					

This agreement is our property. Reproduction and publication without our written authorization shall expose offender to legal proceedings.

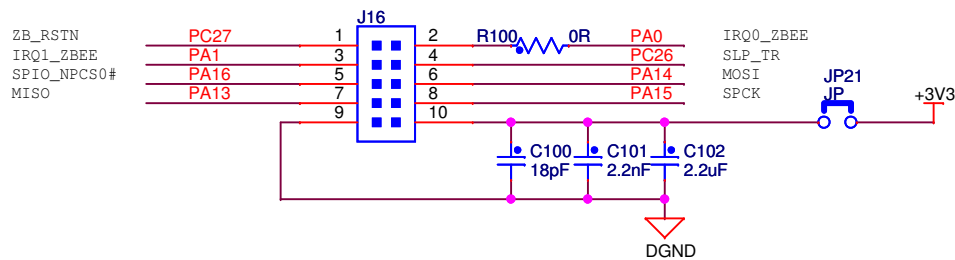
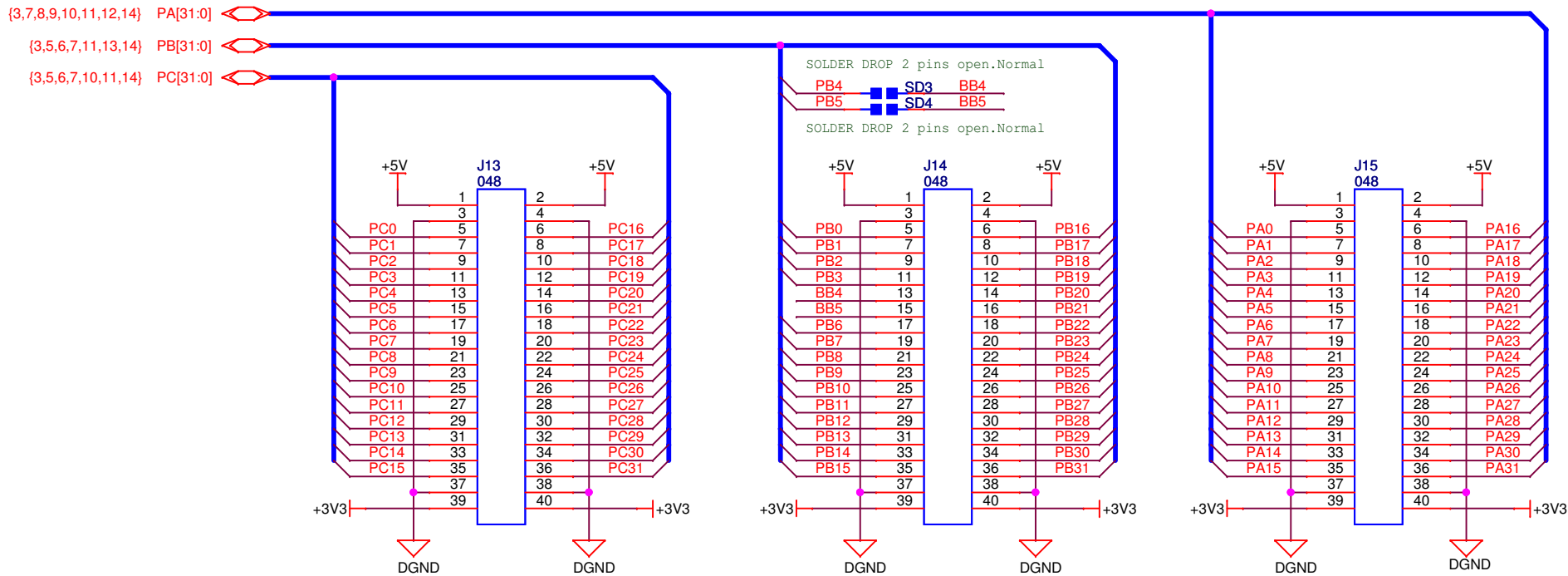


		ZXL 19-MAY-09		XXX XX-XXX-XX	
		ZXL 03-FEB-09		XXX XX-XXX-XX	
REV	MODIF.	DES.	DATE	VER.	DATE
SAM3U-EK RevB		SCALE 1/1		REV. B	SHEET 13/15
Power Supply, ADC & Led					
<small>This agreement is our property. Reproduction and publication without our written authorization shall expose offender to legal proceedings.</small>					

(3,7,8,9,10,11,12,15) PA[31:0]
 (3,5,6,7,11,13,15) PB[31:0]
 (3,5,6,7,10,11,15) PC[31:0]



		B	INIT EDIT	ZXL	19-MAY-09	XXX
A	REV	MODIF.	DES.	DATE	VER.	DATE
SAM3U-EK RevB		SCALE 1/1		REV. SHEET		
SAM3U socket				B 14/15		



ATMEL					
ROUSSET					
B		ZXL	19-MAY-09		
A	INIT EDIT	ZXL	03-FEB-09	XXX	XX-XXX-XX
REV	MODIF.	DES.	DATE	VER.	DATE
SAM3U-EK RevB		SCALE 1/1		REV. B	SHEET 15/15
User interface & ZigBee					
This agreement is our property. Reproduction and publication without our written authorization shall expose offender to legal proceedings.					