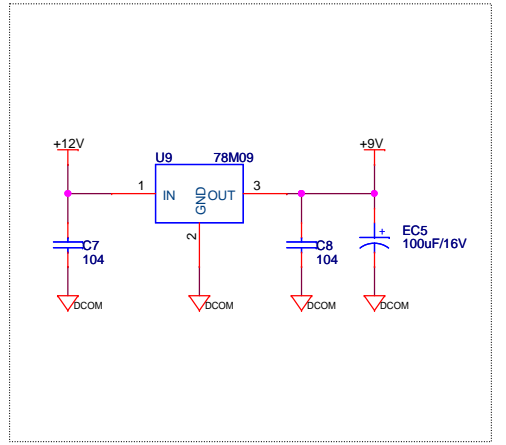
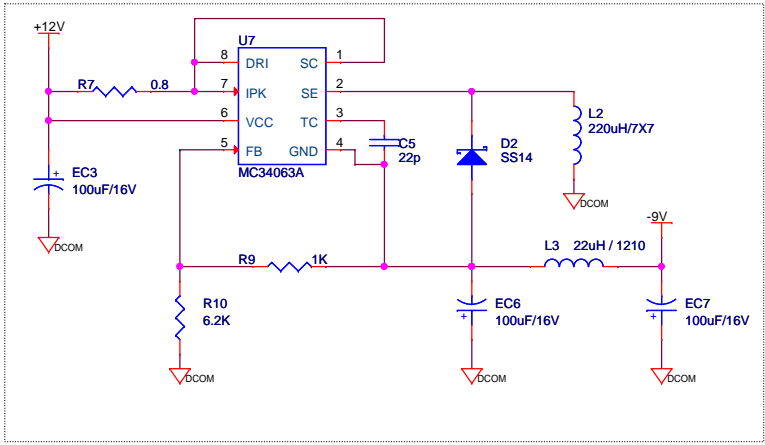
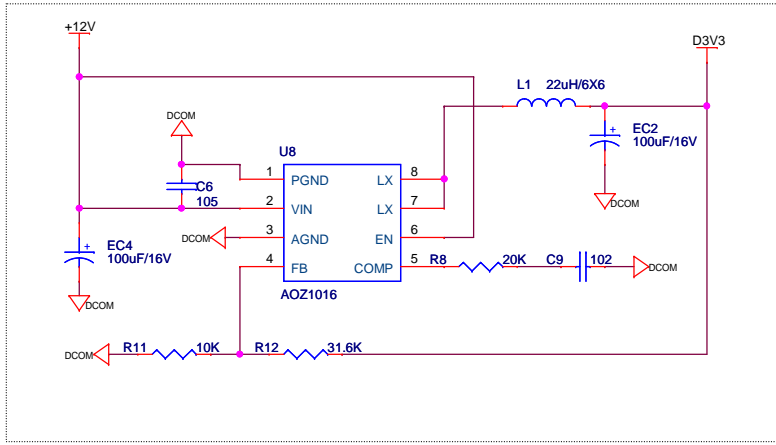


3.3V (BUCK)

-9V (BUCK-BOOST)

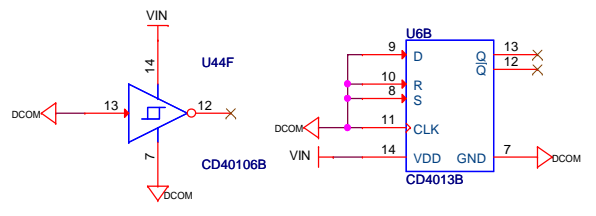
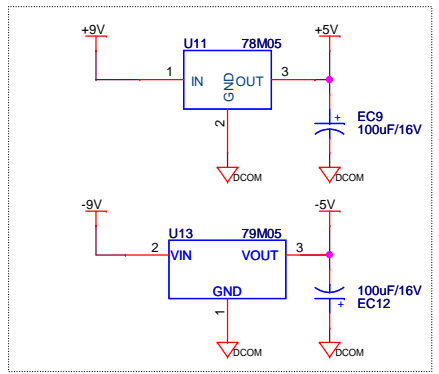
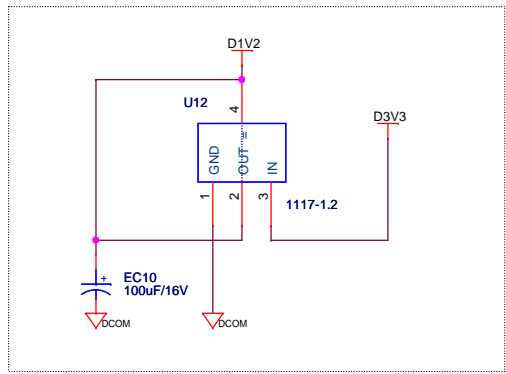
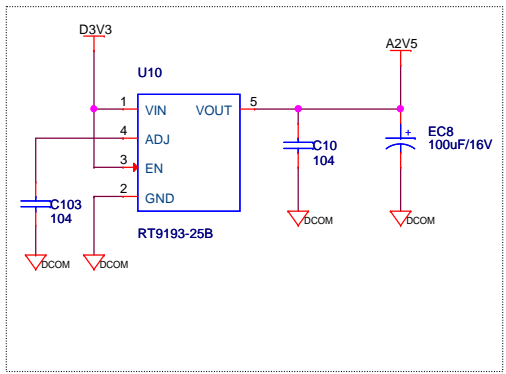
+9V



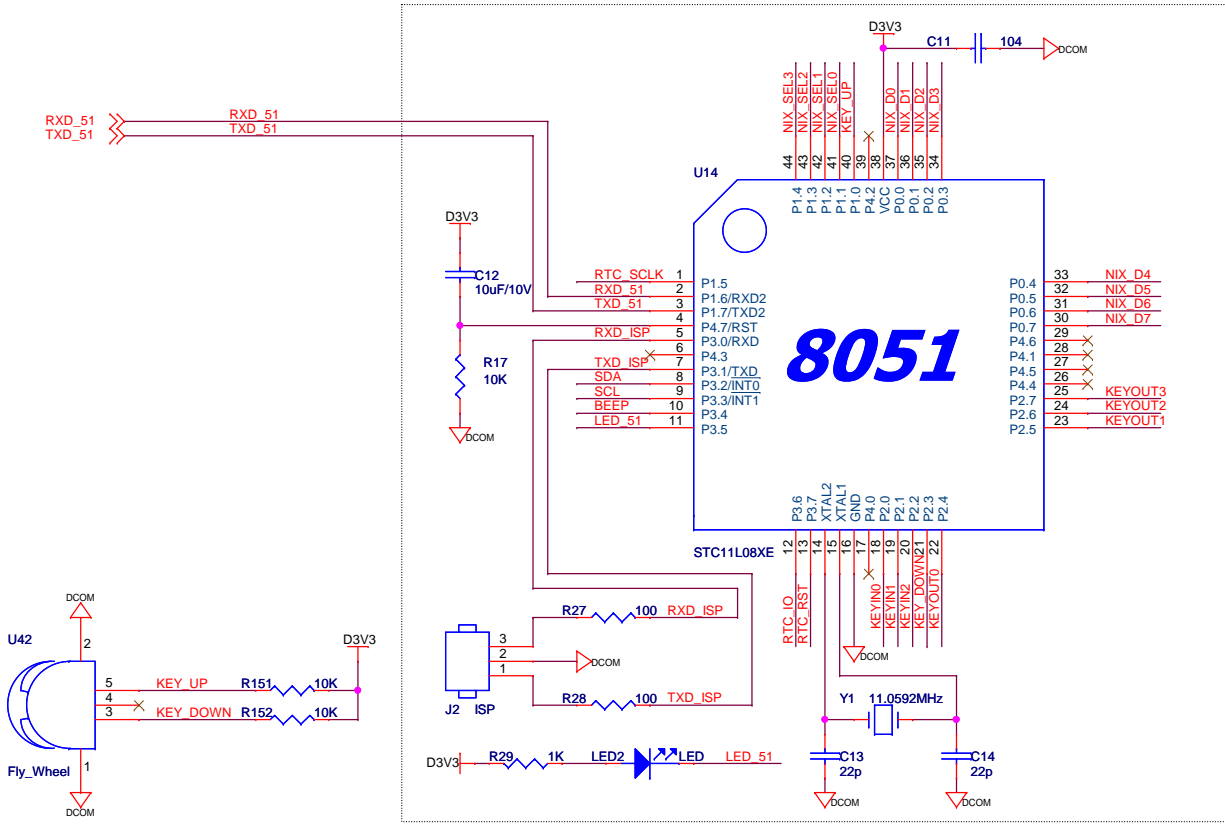
2.5V (LDO)

1.2V (LDO)

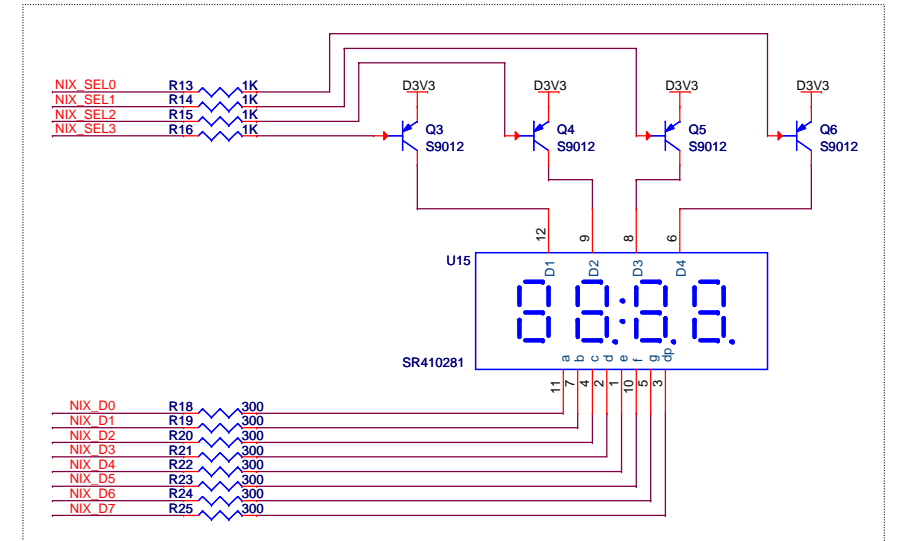
+5V / -5V



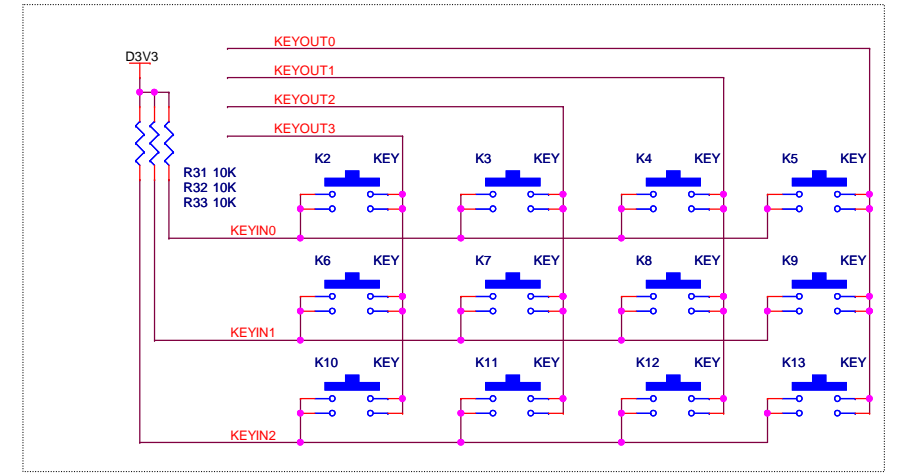
8051 MCU



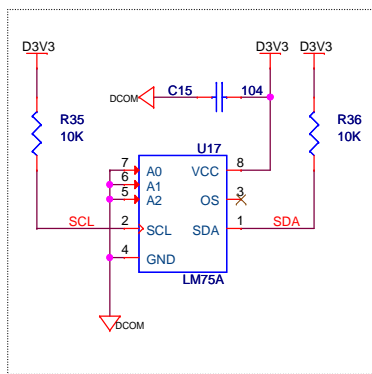
NIXIETUBE



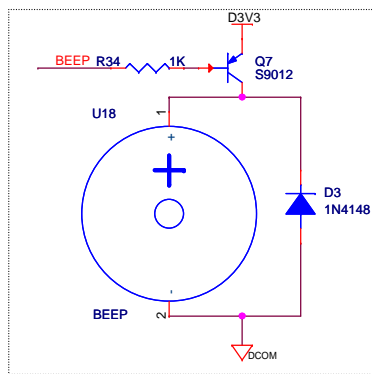
KEYBOARD



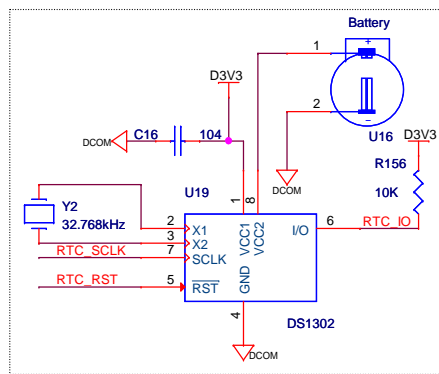
TEMPERATURE SENSE

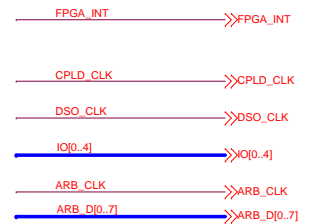
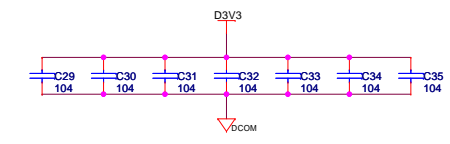
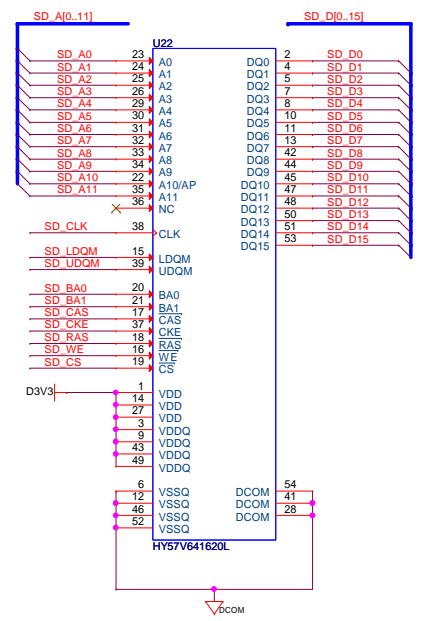
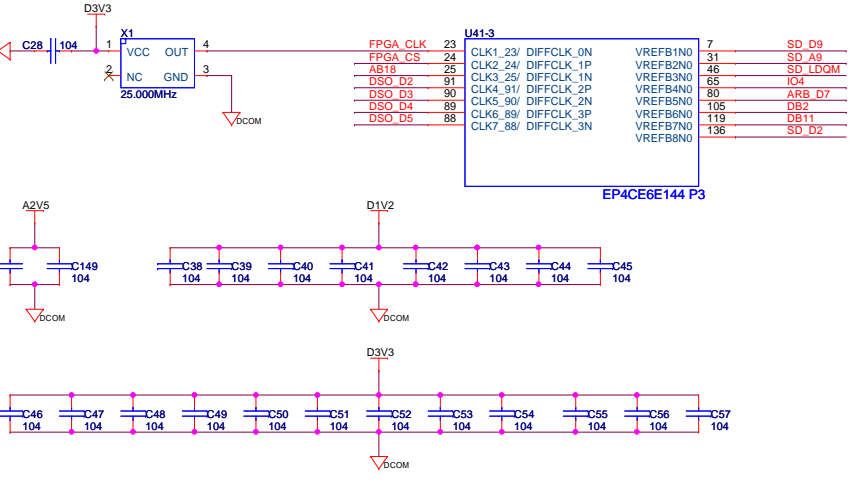
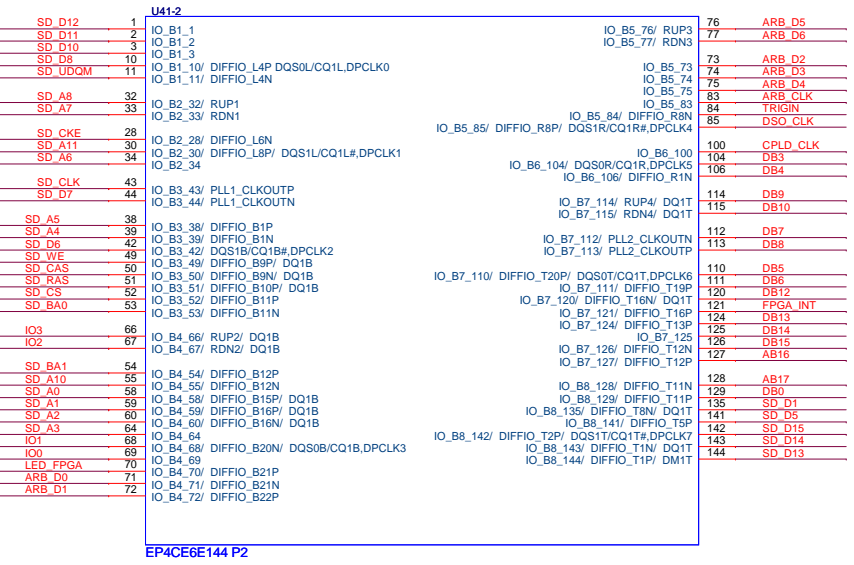
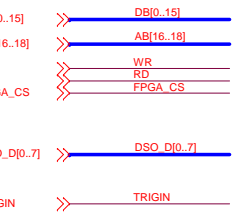
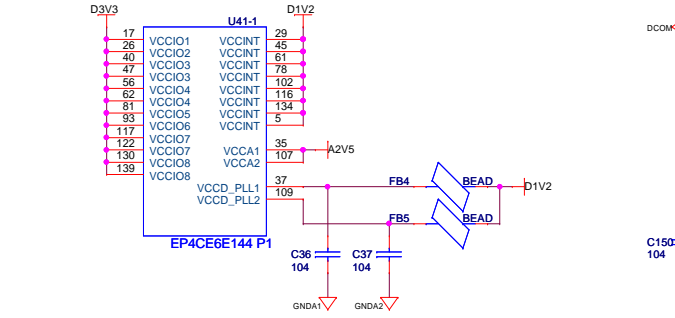
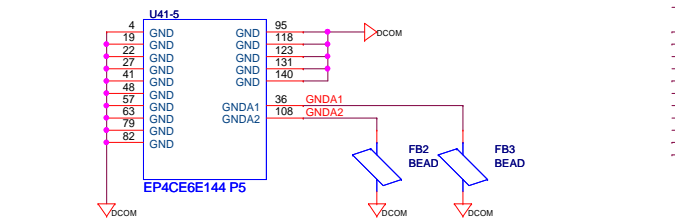
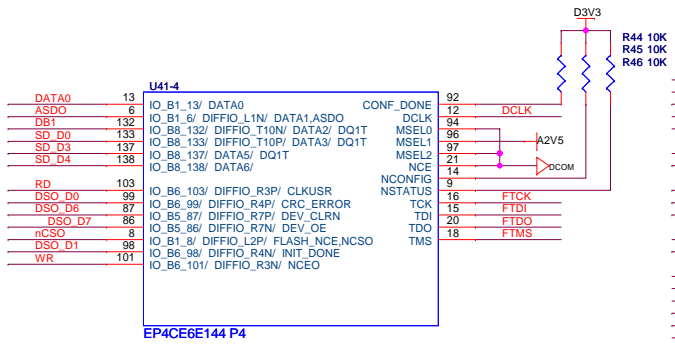


BUZZER

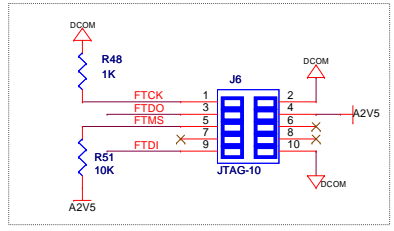


RTC

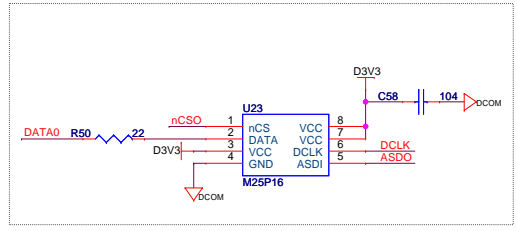


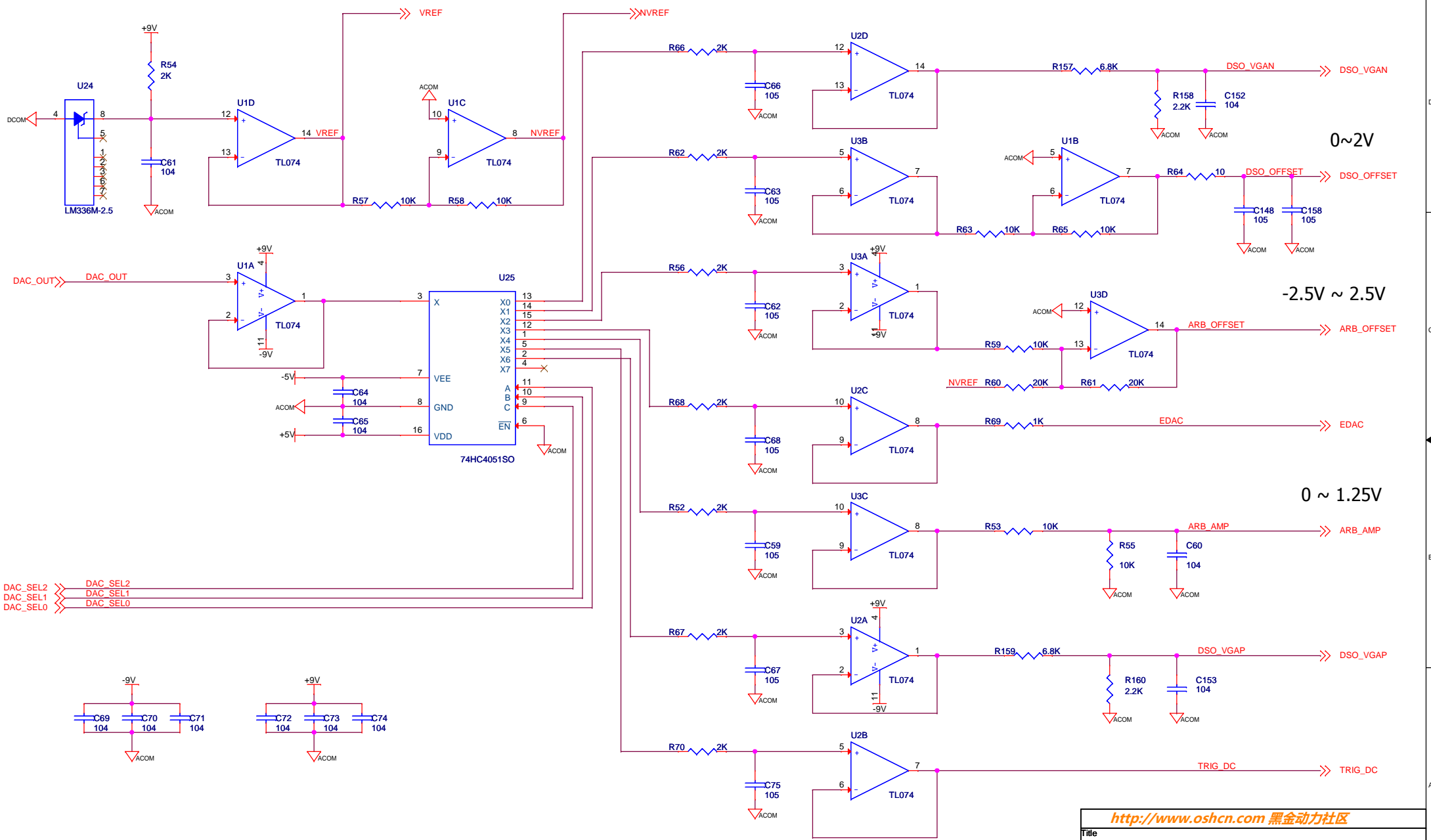


FPGA JTAG



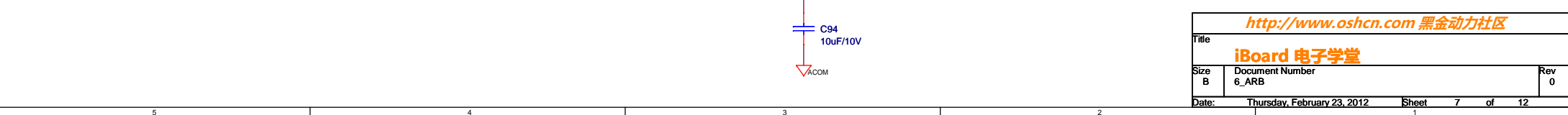
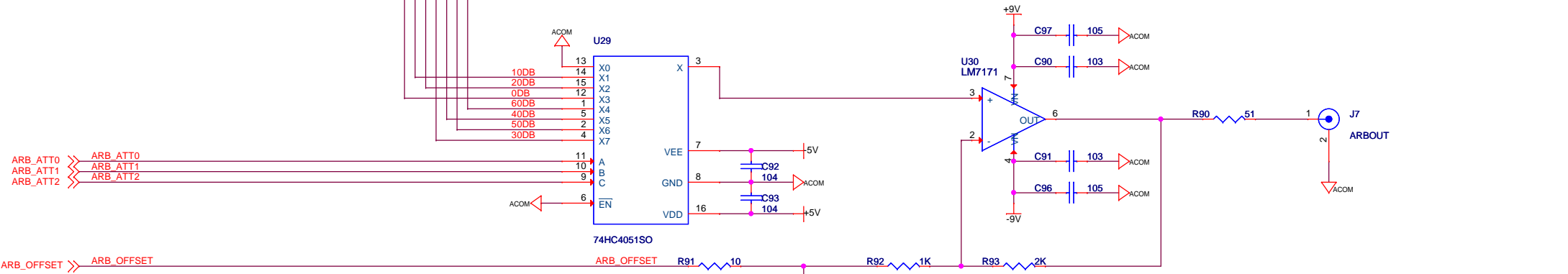
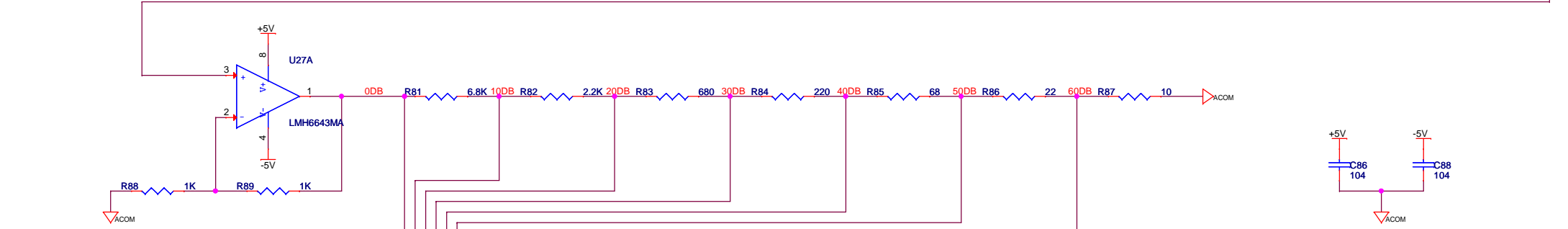
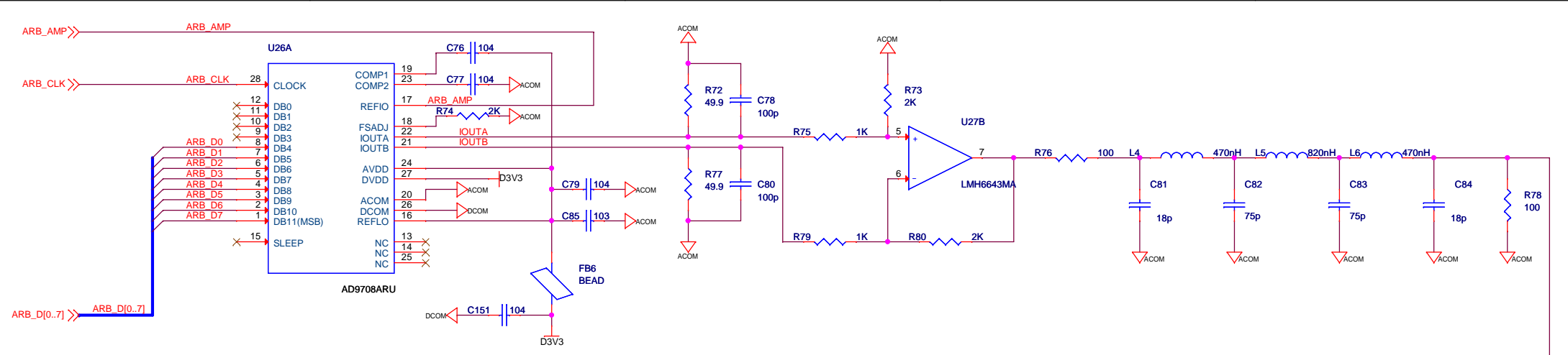
AS CONFIG

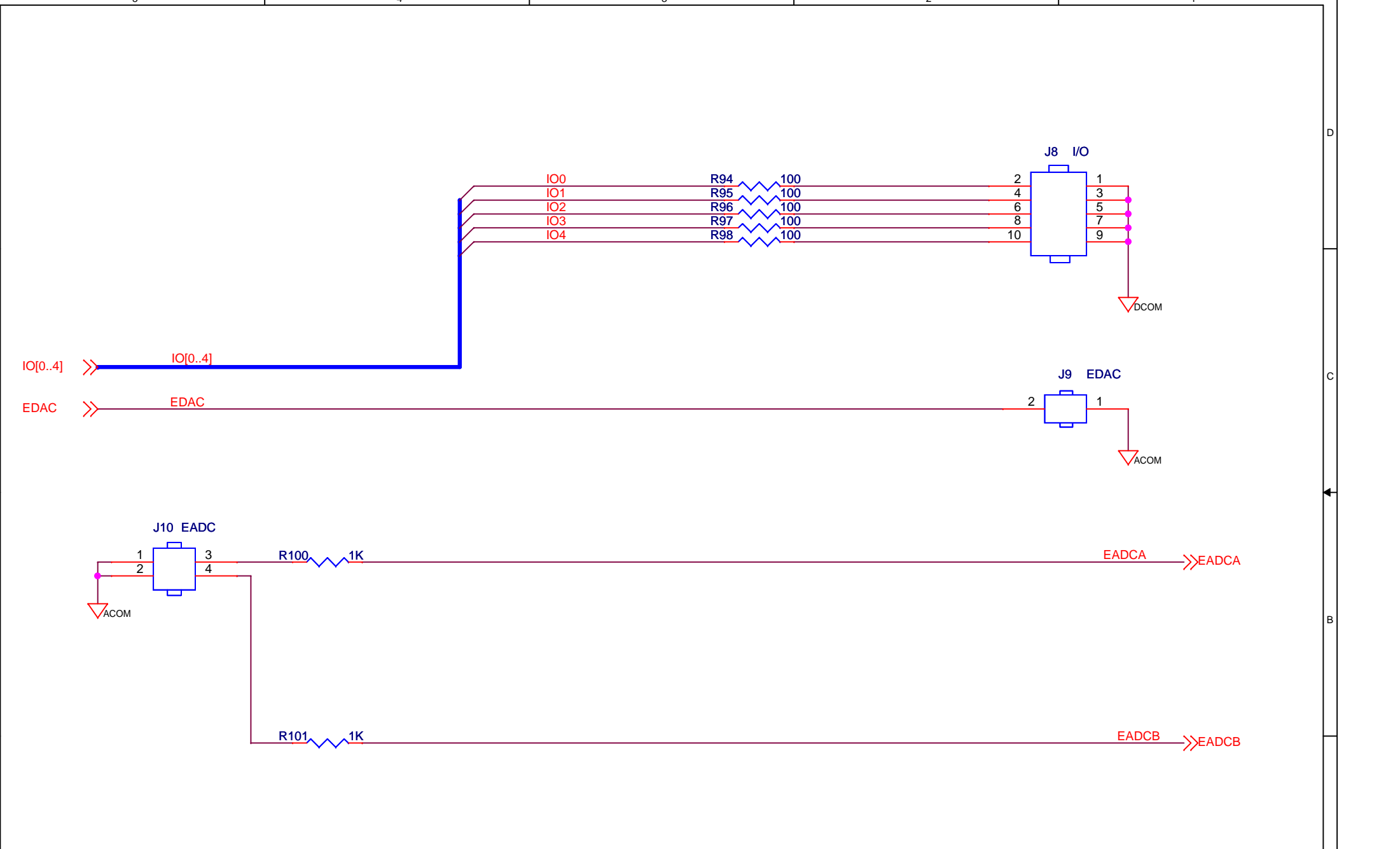


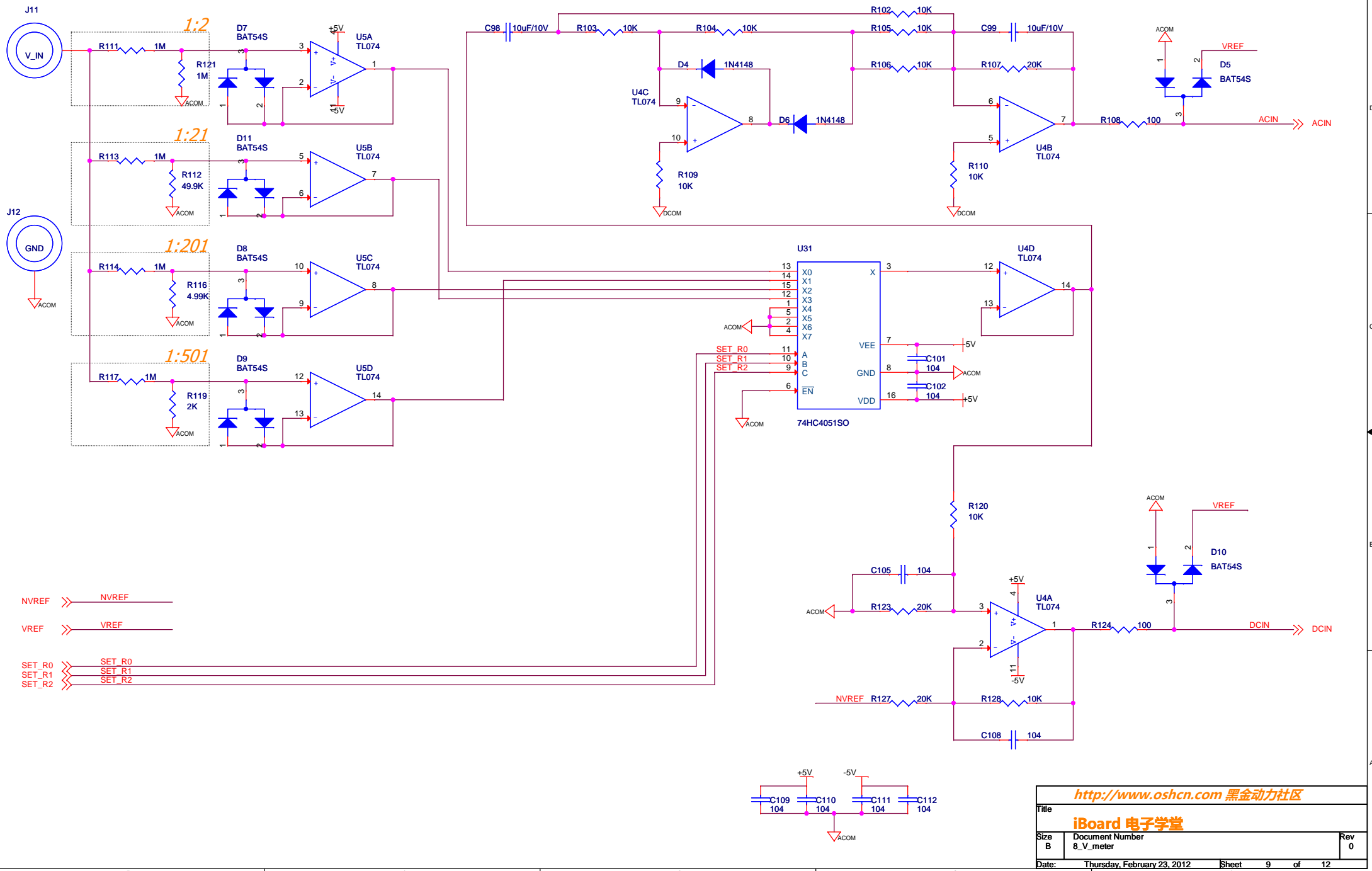


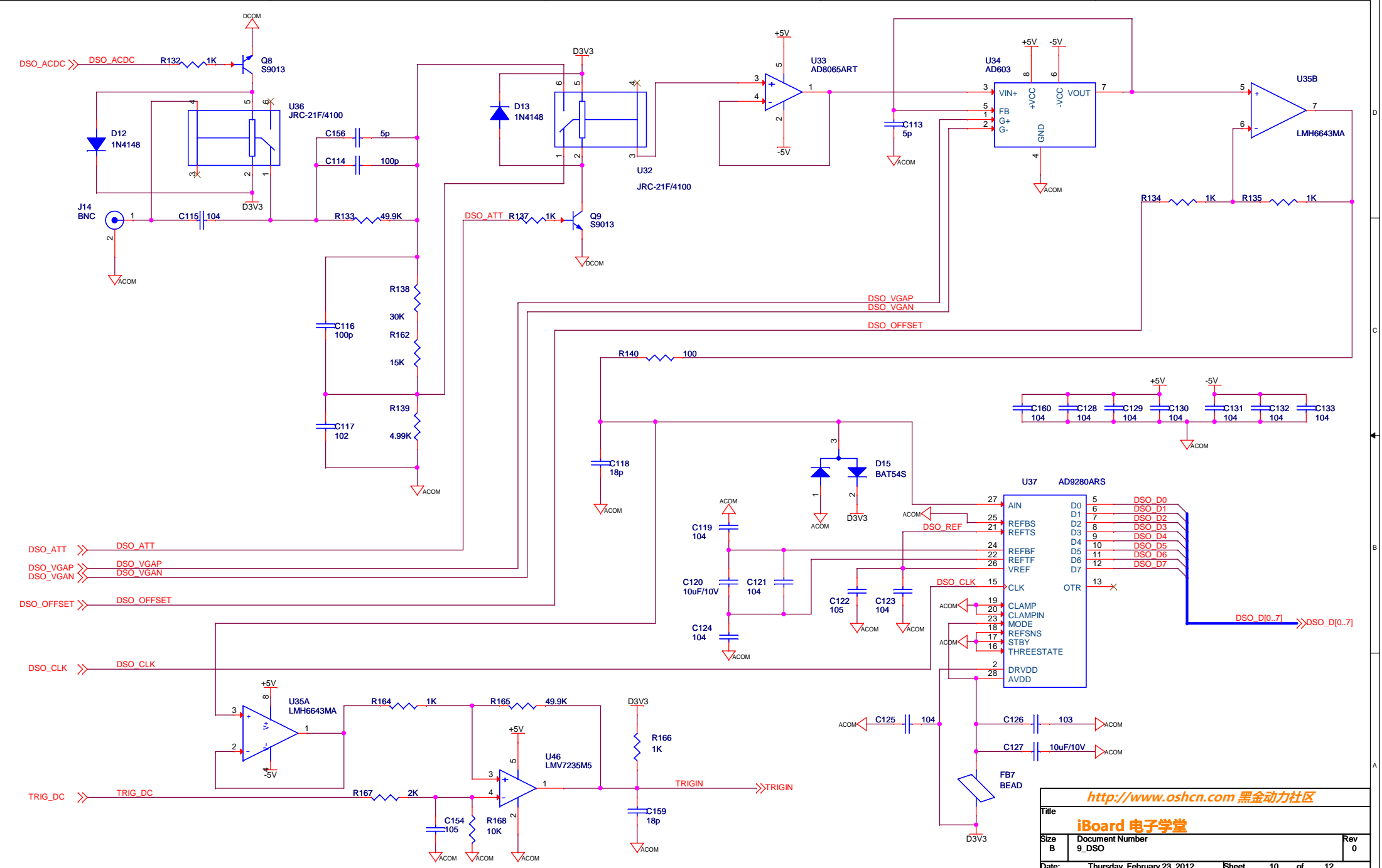
DAC_SEL2 >> DAC_SEL2
 DAC_SEL1 >> DAC_SEL1
 DAC_SEL0 >> DAC_SEL0

http://www.oshcn.com 黑金动力社区		
iBoard 电子学堂		
Size B	Document Number 5_DAC_Extend	Rev 0
Date:	Thursday, February 23, 2012	Sheet 6 of 12









<http://www.oshcn.com> 黑金动力社区

iBoard 电子学堂		
Size B	Document Number 9_DSO	Rev 0
Date: Thursday, February 23, 2012 Sheet 10 of 12		

