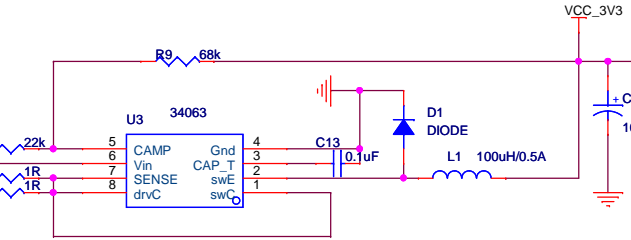
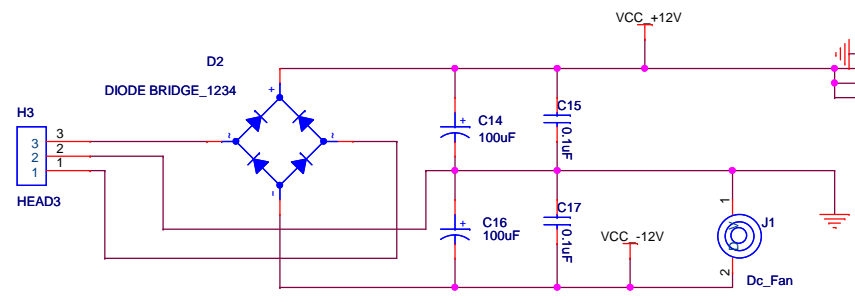
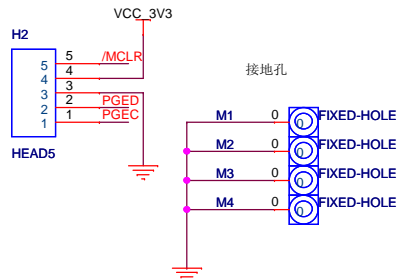


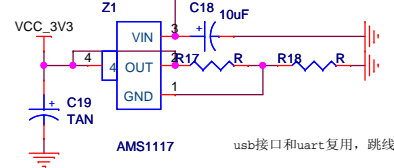
+-9v变压器



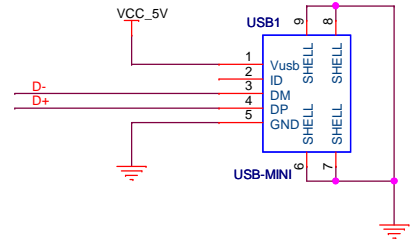
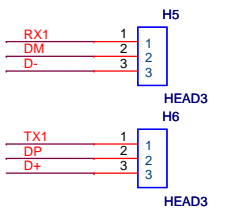
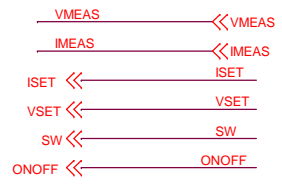
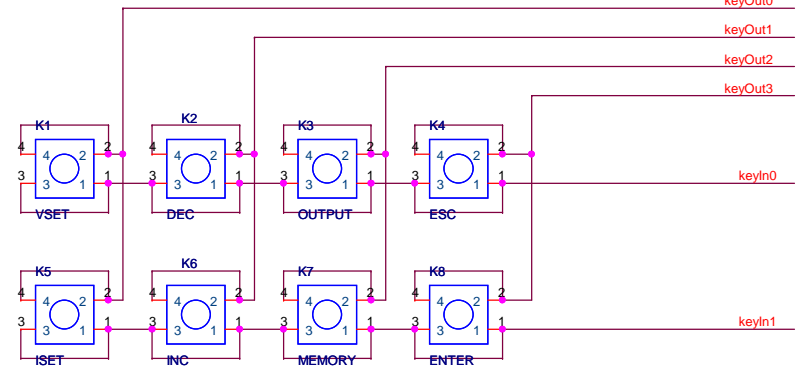
PICKIT3烧录接口



usb取电转3.3供mcu, 测试用



矩阵键盘



Title		mcuCtl
Size	Document Number	Rev
B	<Doc>	<RevCode>
Date:	Thursday, January 05, 2012	Sheet 1 of 2