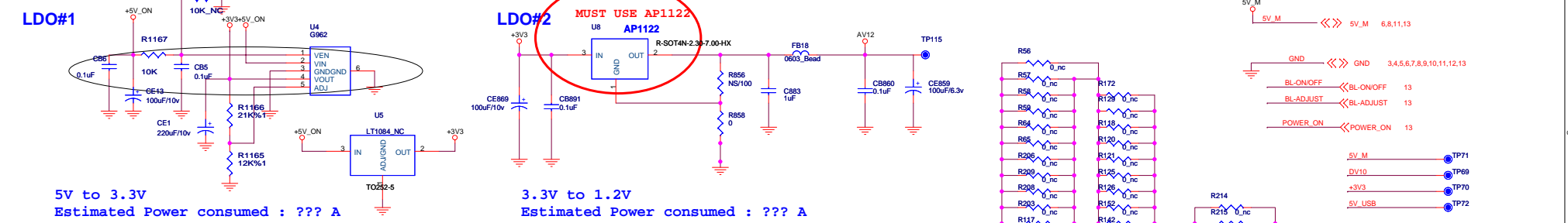
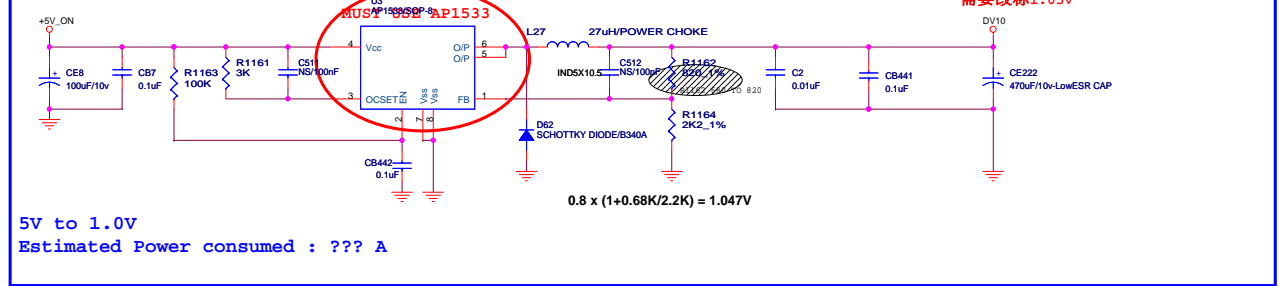


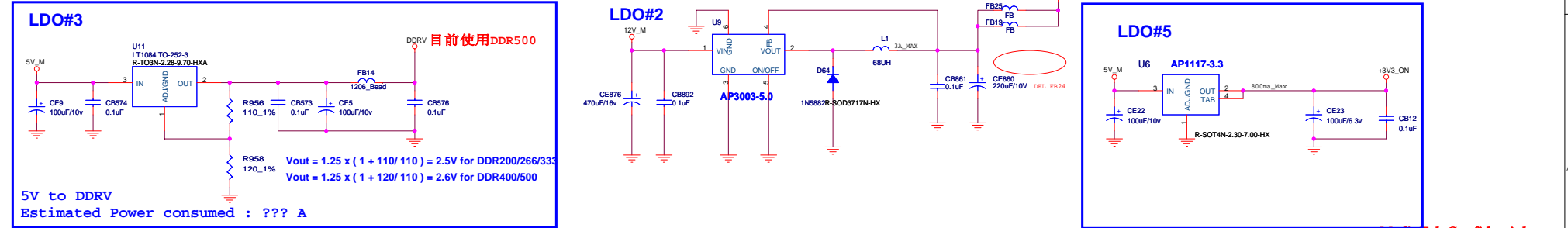
Power for MT8222 only (Always on)



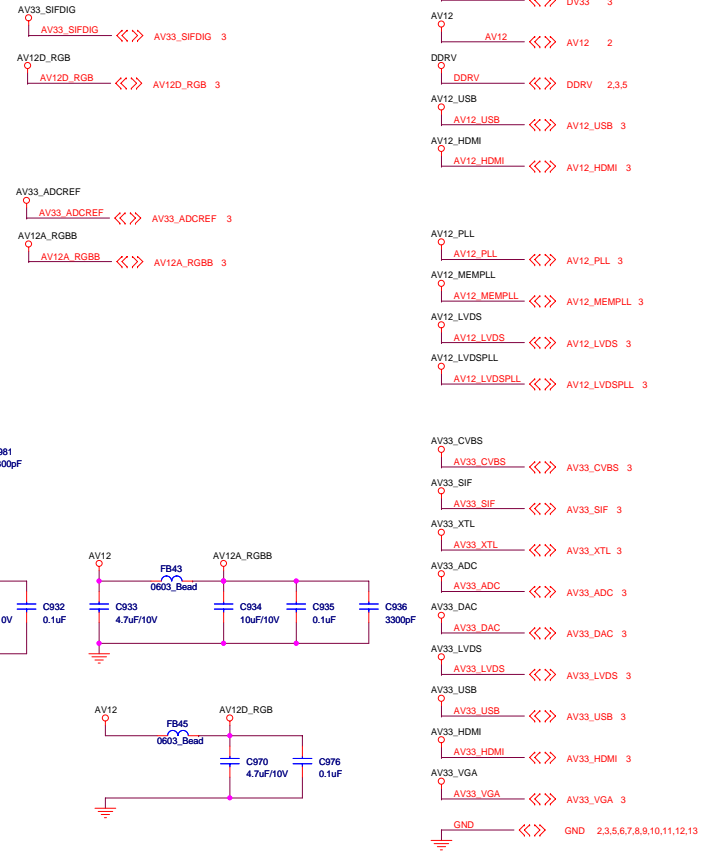
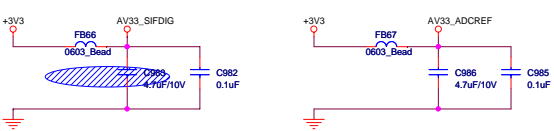
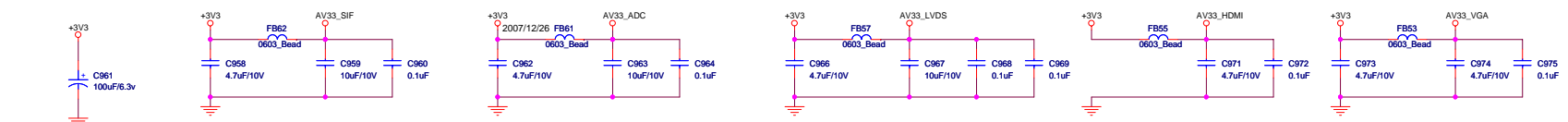
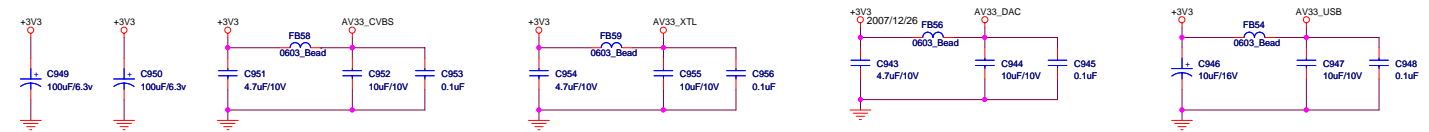
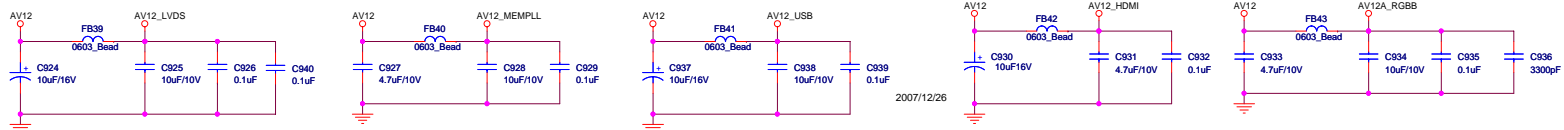
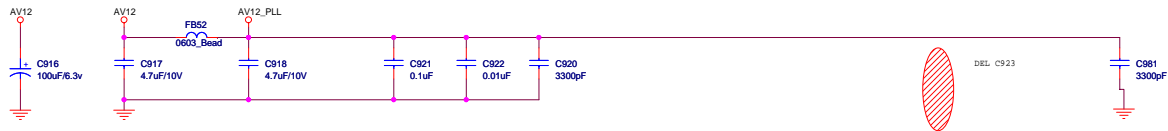
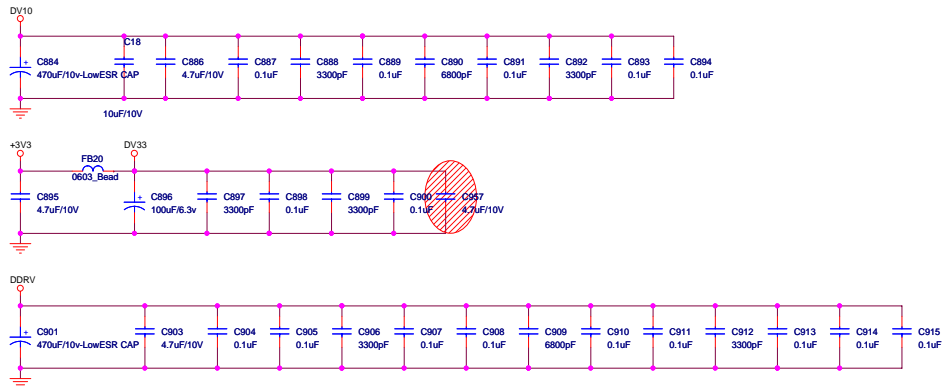
Switch Regulator Core Power 1.0V



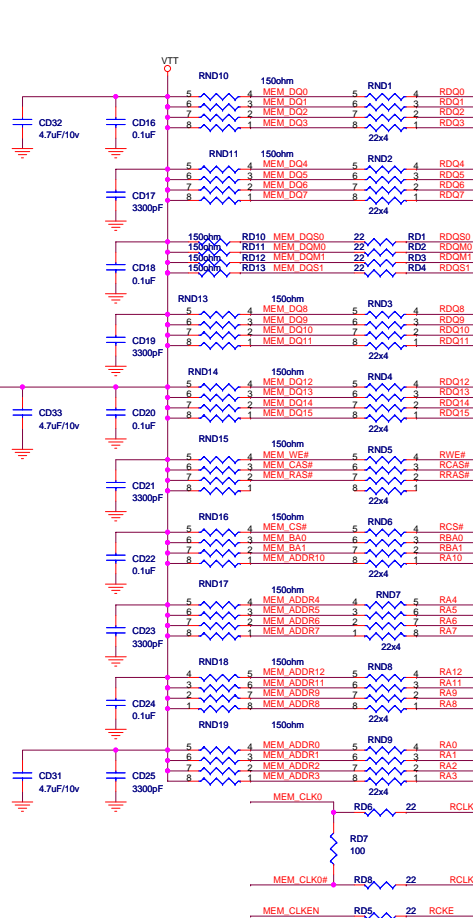
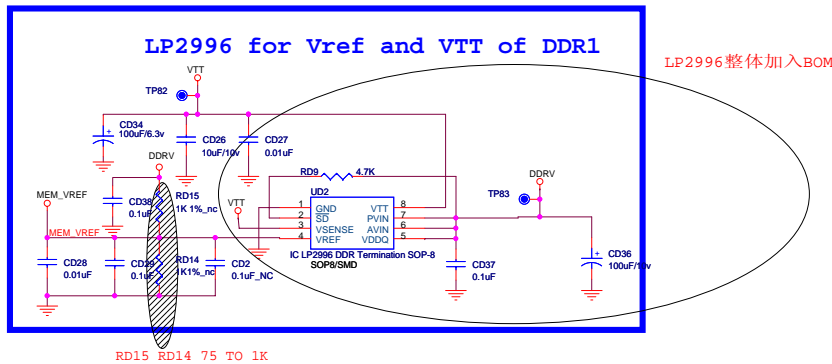
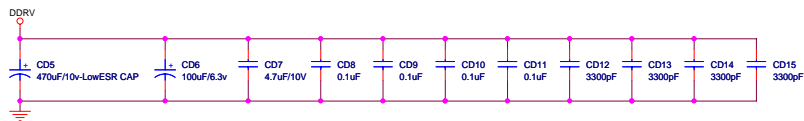
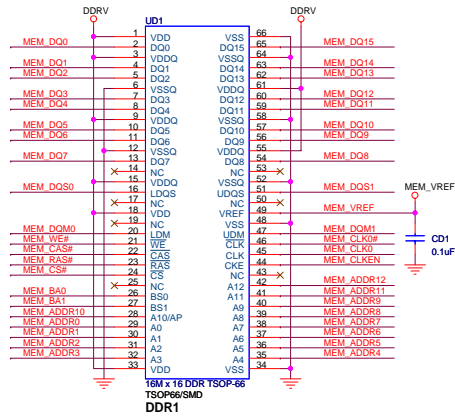
Works at normal mode



(Bypass CAPs around MT8222)

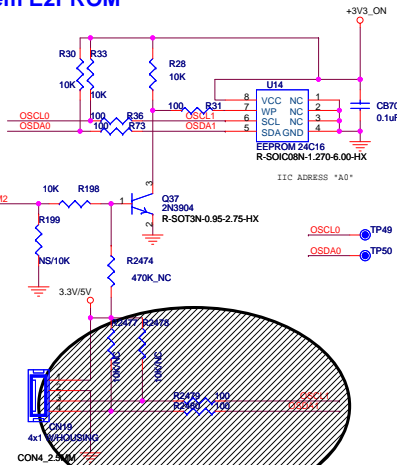


(DDR1 DRAM With Termination)

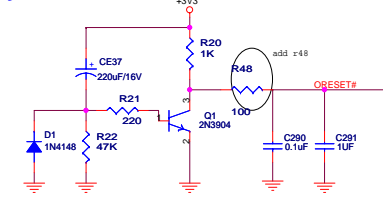


- RDQS0 <<>> RDQS0 3
- RDQS1 <<>> RDQS1 3
- RDQM0 <<>> RDQM0 3
- RDQM1 <<>> RDQM1 3
- RWE# <<>> RWE# 3
- RCAS# <<>> RCAS# 3
- RRAS# <<>> RRAS# 3
- RCS# <<>> RCS# 3
- RCKE <<>> RCKE 3
- RDQ[15..0] <<>> RDQ[15..0] 3
- RA[12..0] <<>> RA[12..0] 3
- RCLK0 <<>> RCLK0 3
- RCLK#0 <<>> RCLK#0 3
- RBA0 <<>> RBA0 3
- RBA1 <<>> RBA1 3
- MEM_VREF <<>> MEM_VREF 3
- DDRV <<>> DDRV 2,3,4
- GND <<>> GND 2,3,4,6
- +3V3_ON <<>> +3V3_ON 2,3,6,10,12

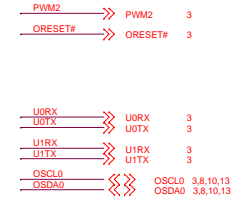
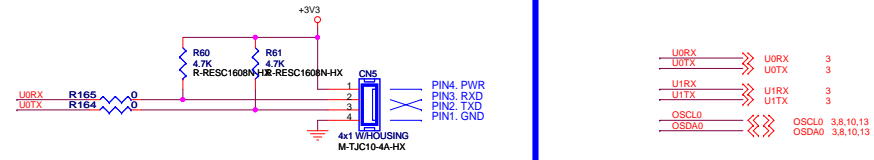
System E2PROM



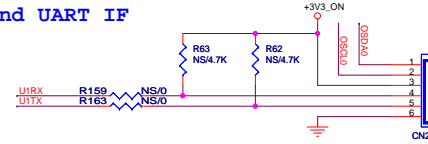
System Reset#



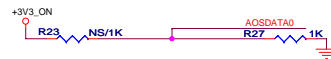
1st UART IF (For Code download and Debug)



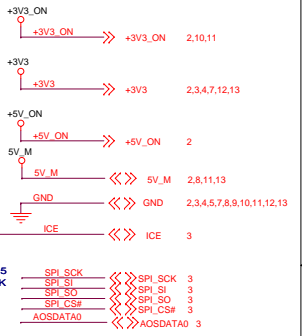
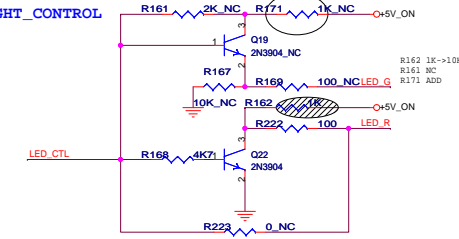
2nd UART IF



MT8222 Trapping



LED_LIGHT_CONTROL



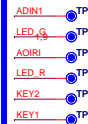
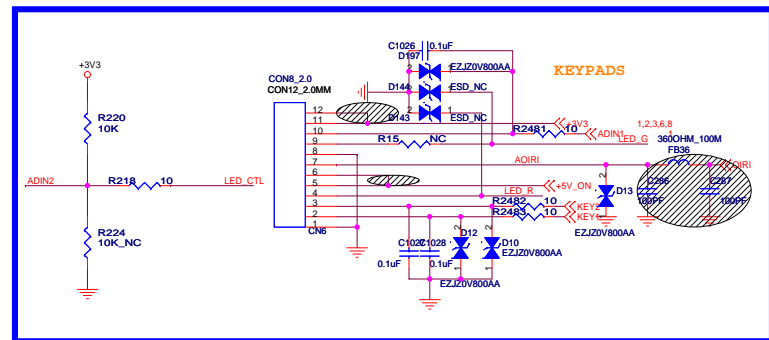
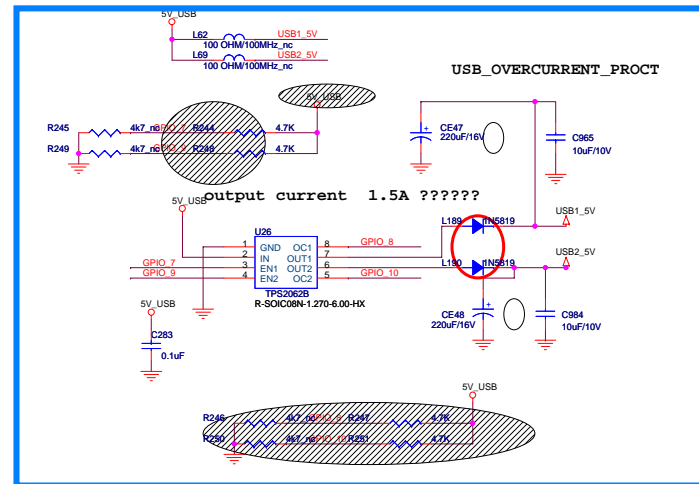
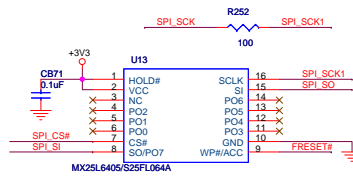
Serial Flash

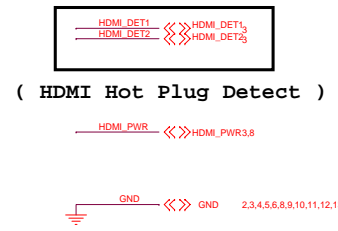
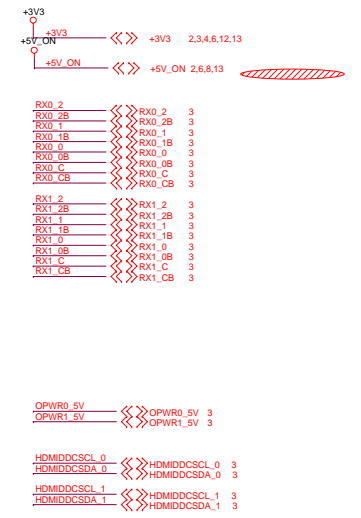
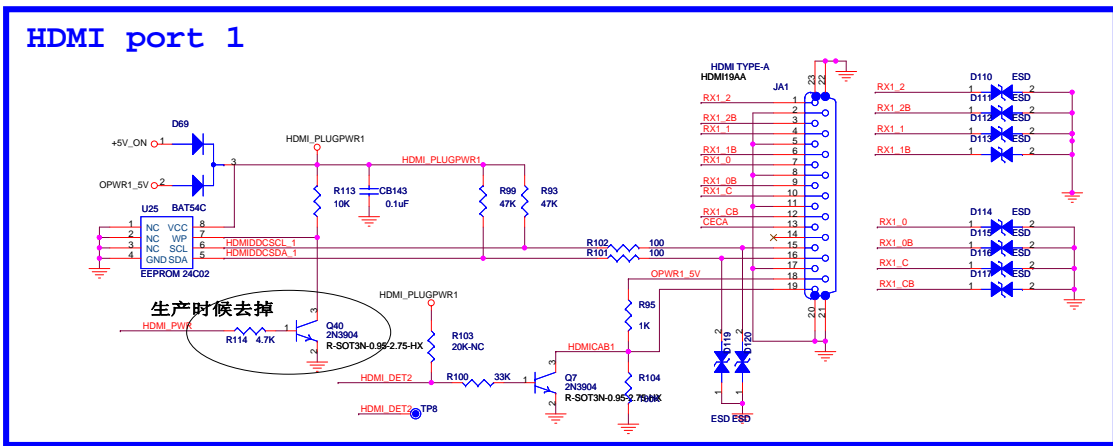
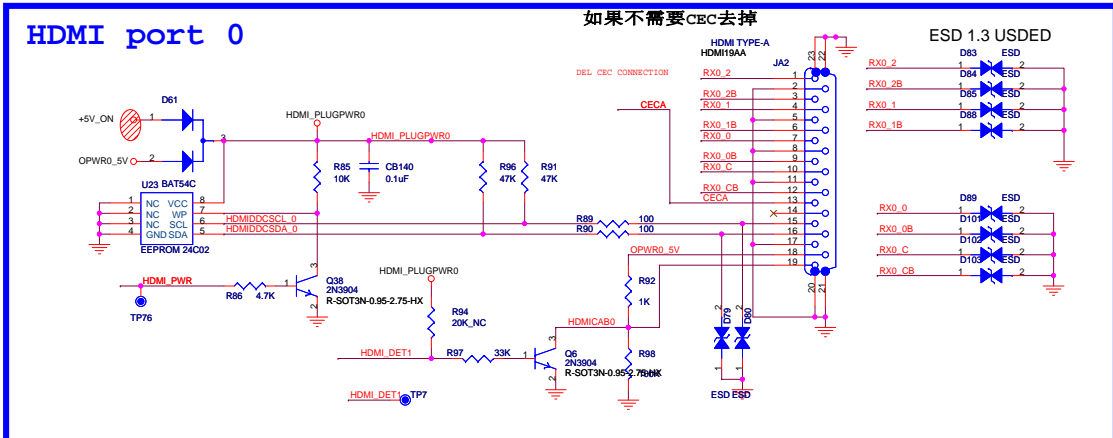
位置尽量靠近8222, 附近若有IO需要串磁珠并且避让, EMC问题

32mbit/16mbit



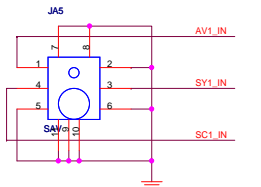
MEMORY CARD I/F GPIO RESERVED 还需要吗?????????





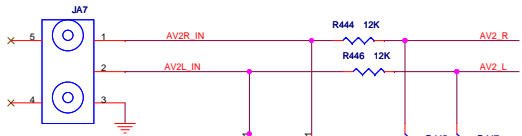
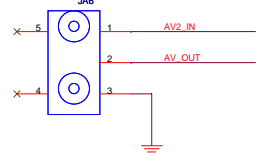
1. ESDP供电更改
2. 各信号上ESD器件更改

AV1+S-Video1 Input

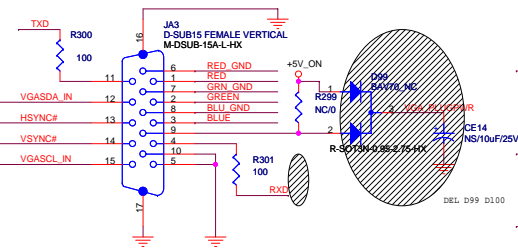
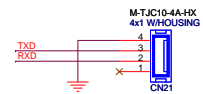


- AV1_IN TP9
- SY1_IN TP10
- SC1_IN TP11
- AV2_IN TP12
- AV_OUT TP15
- AV2R_IN TP16
- AV2L_IN TP13

AV2 Input

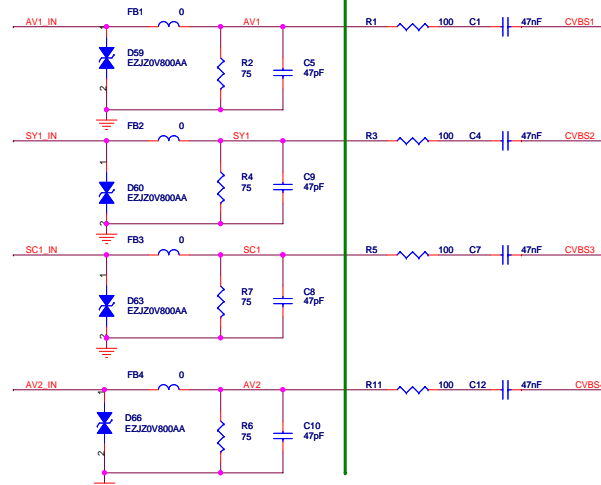


AV2 AUDIO Input



- HSYNC# TP52
- VSYNC# TP53
- RED TP47
- GRN TP48
- BLU TP51

NEAR CONNECTOR

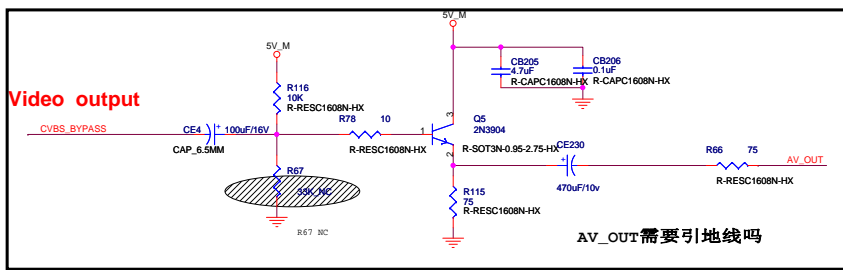


NEAR IC

- STP1
- STP2
- STP3
- STP4
- STP13
- STP14

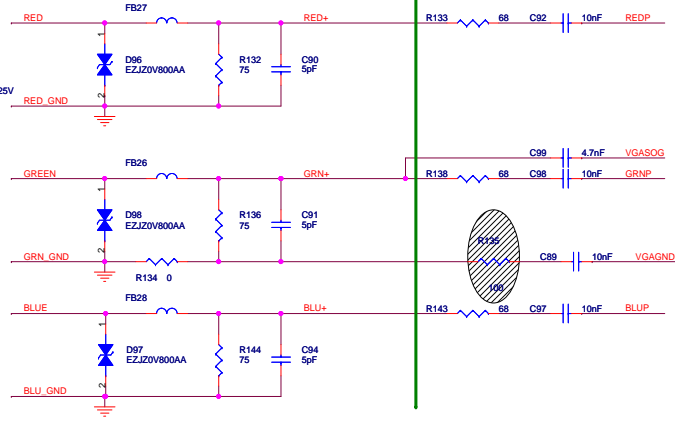
- CVBS1 3
- CVBS2 3
- CVBS3 3
- CVBS4 3
- GND 2,3,4,5,6,7,9,10,11,12,13
- +5VSB 2,6,7,13
- AV2_L 11
- AV2_R 11
- 5V_M 2,6,11,13
- CVBS_BYPASS 3

Video output

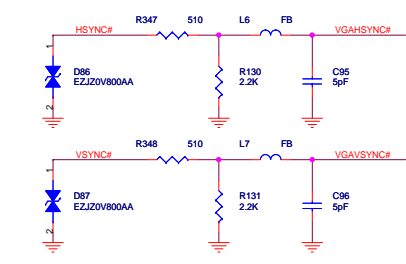


AV_OUT需要引线吗

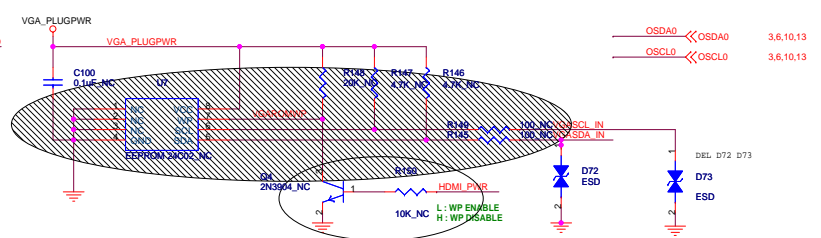
NEAR CONNECTOR



NEAR IC



- +5V_ON 2
- VGASOG 3
- REDP 3
- VGAGND 3
- GRNP 3
- BLUP 3
- VGASOG# 3
- VGAVSYNC# 3
- VGAVSYNC# 3
- HDMI_PWR 3,7
- 5V_M 2,6,11,13
- VGASCL_IN 3
- VGASDA_IN 3
- VGASCL 3
- VGASDA 3
- OSDA0 3,6,10,13
- OSCL0 3,6,10,13



生产时候去掉

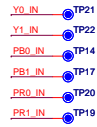
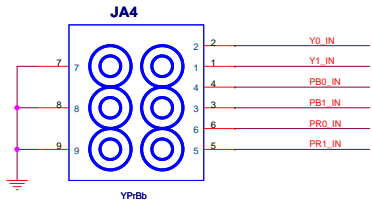
MediaTek Confidential

MediaTek (Shenzhen) Inc.

Title: **CVBS/ S-Video / VGA**

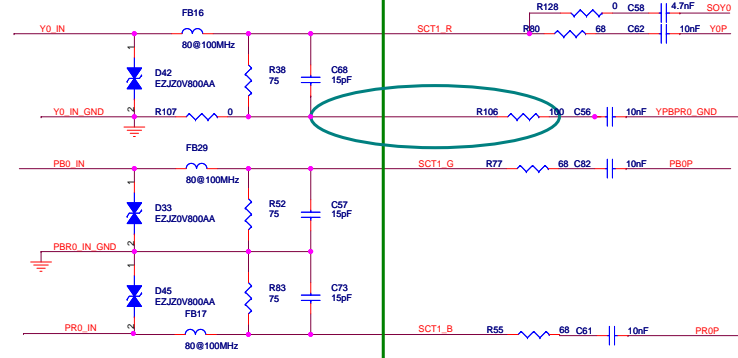
Size	Document Number	Drawn: Jiu.Ni	Rev	1
C	MT8222	Date: 2008/1/25	Sheet	8 of 13

YPBPR0 / YPBPR1port

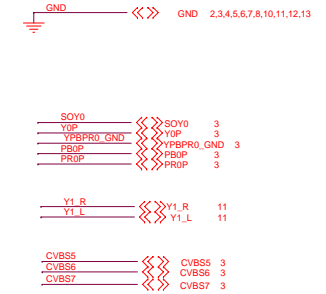
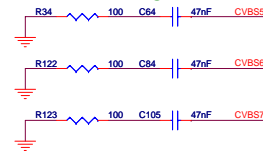


NEAR CONNECTOR

NEAR IC

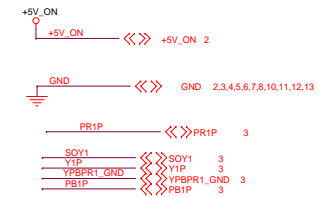
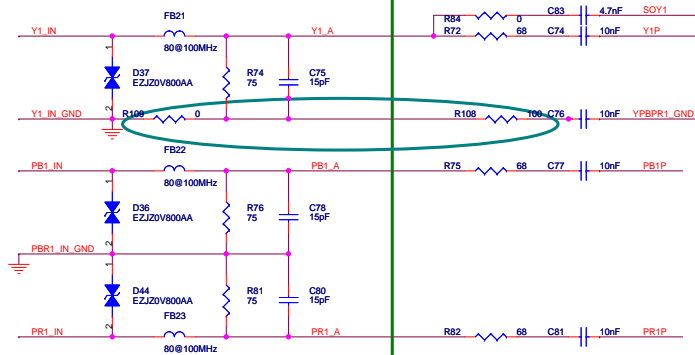


NEAR IC



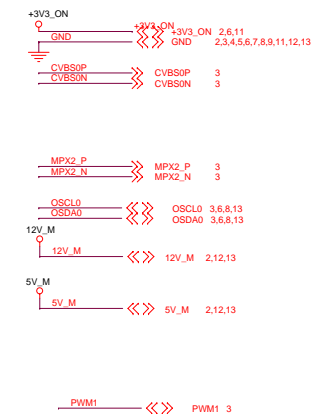
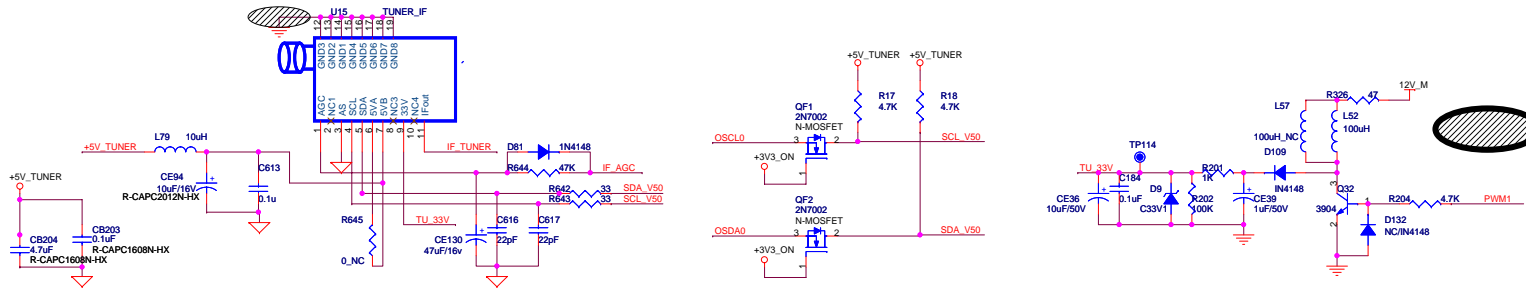
NEAR CONNECTOR

NEAR IC



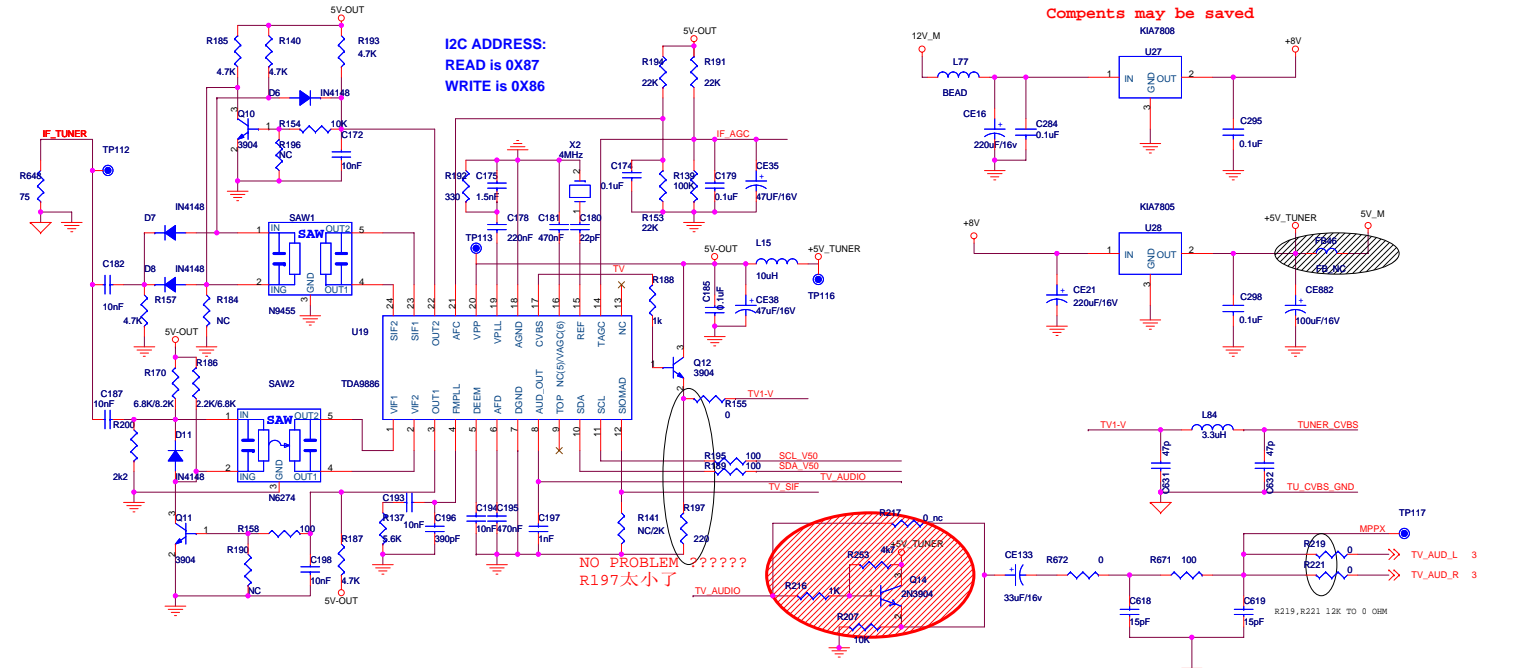
MediaTek Confidential

		MediaTek (ShenZhen) Inc.	
		Title: YPbPr	
Size: C	Document Number: MT8222	Drawn: Jiu.Ni	Rev: 1
Date: 2009/1/25	Sheet: 9	of	15

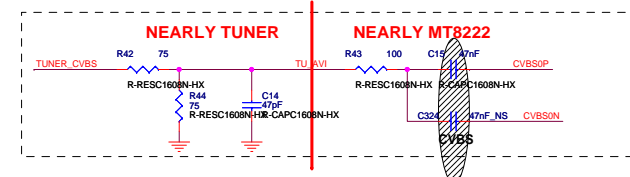


I2C ADDRESS:
READ is 0X87
WRITE is 0X86

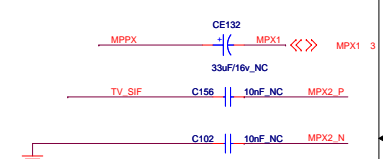
Compenets may be saved



NO PROBLEM ??????
R197 太小了

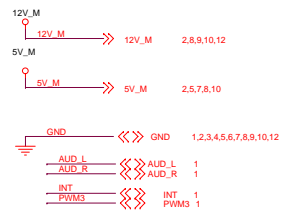
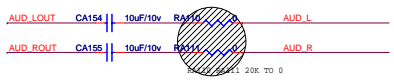
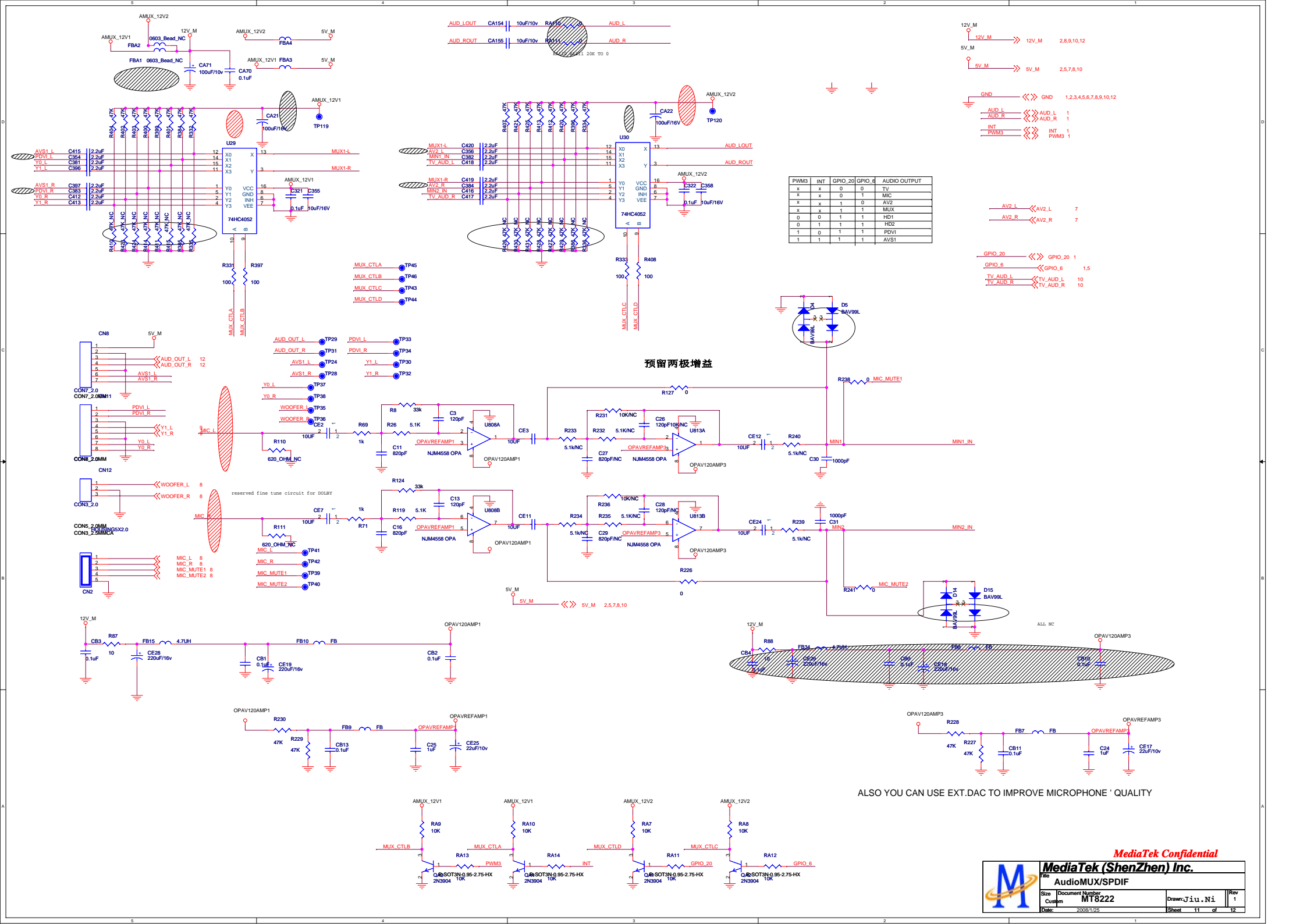


- TUNER CVBS TP26
- TV AUDIO TP23
- TV SIF TP25
- TU_AVI TP61
- SDA_V50 TP62
- SCL_V50 TP63



MediaTek Confidential

	MediaTek (ShenZhen) Inc.		
	File RF Tuner		
	Size C	Document Number MT8222	Drawn: Jiu.Ni
	Date: 2008/1/25	Sheet 10	Rev 1 of 13

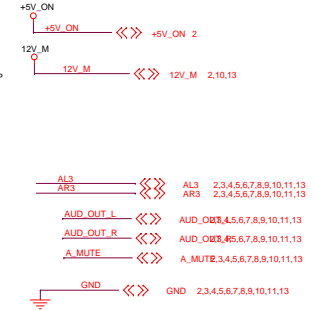
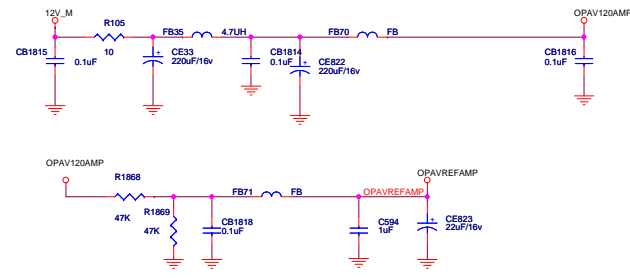
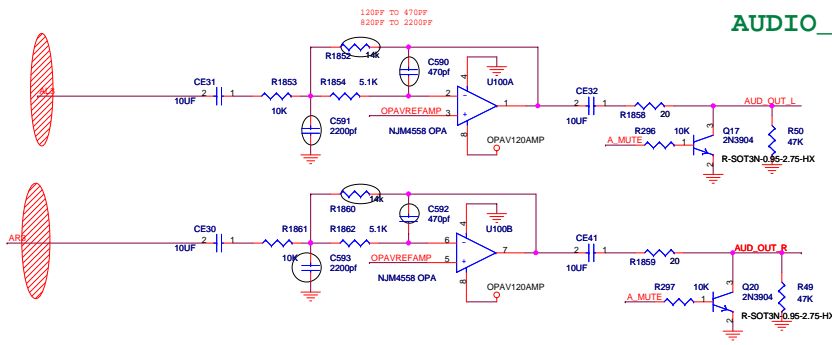


PWM3	INT	GPIO_20	GPIO_6	AUDIO OUTPUT
x	x	0	0	TV
x	x	0	1	MIC
x	x	1	0	AV2
x	x	1	1	MUX
0	0	1	1	HD1
0	1	1	1	HD2
1	0	1	1	PDVI
1	1	1	1	AVS1


预留两极增益

ALSO YOU CAN USE EXT.DAC TO IMPROVE MICROPHONE ' QUALITY

AUDIO_OUT_GRAPH



MediaTek Confidential

 MediaTek (Shenzhen) Inc.			
Size	Document Number	Drawn:	Rev
Customer	MT8222	J.Y.Ni	1
Date:	2008/1/22	Sheet	12 of 13

