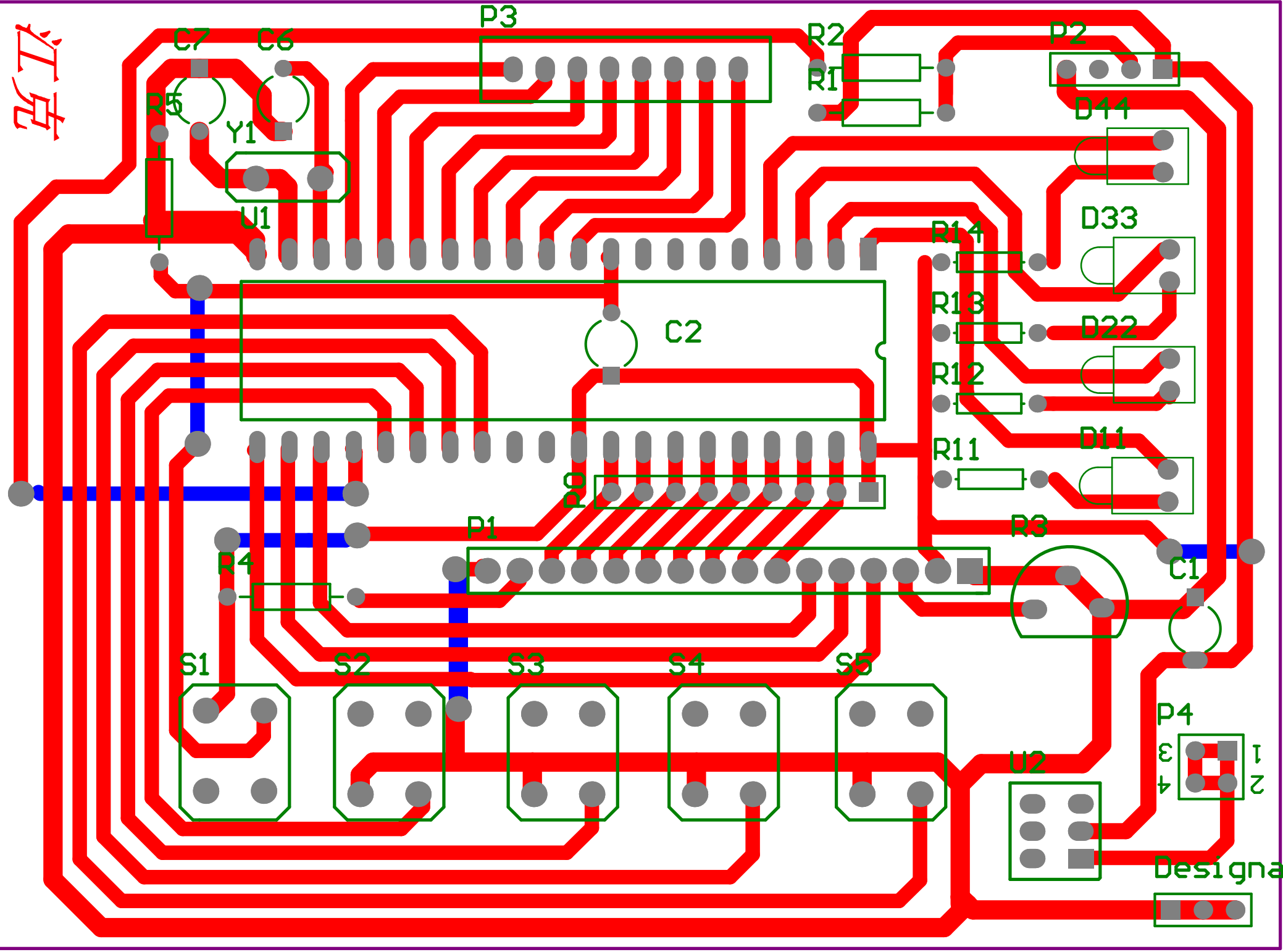


Title		
Size A4	Number	Revision
Date: 2011/10/20	Sheet of	
File: E:\ \.	SchDoc	Drawn By:

江菟



Designator 3

