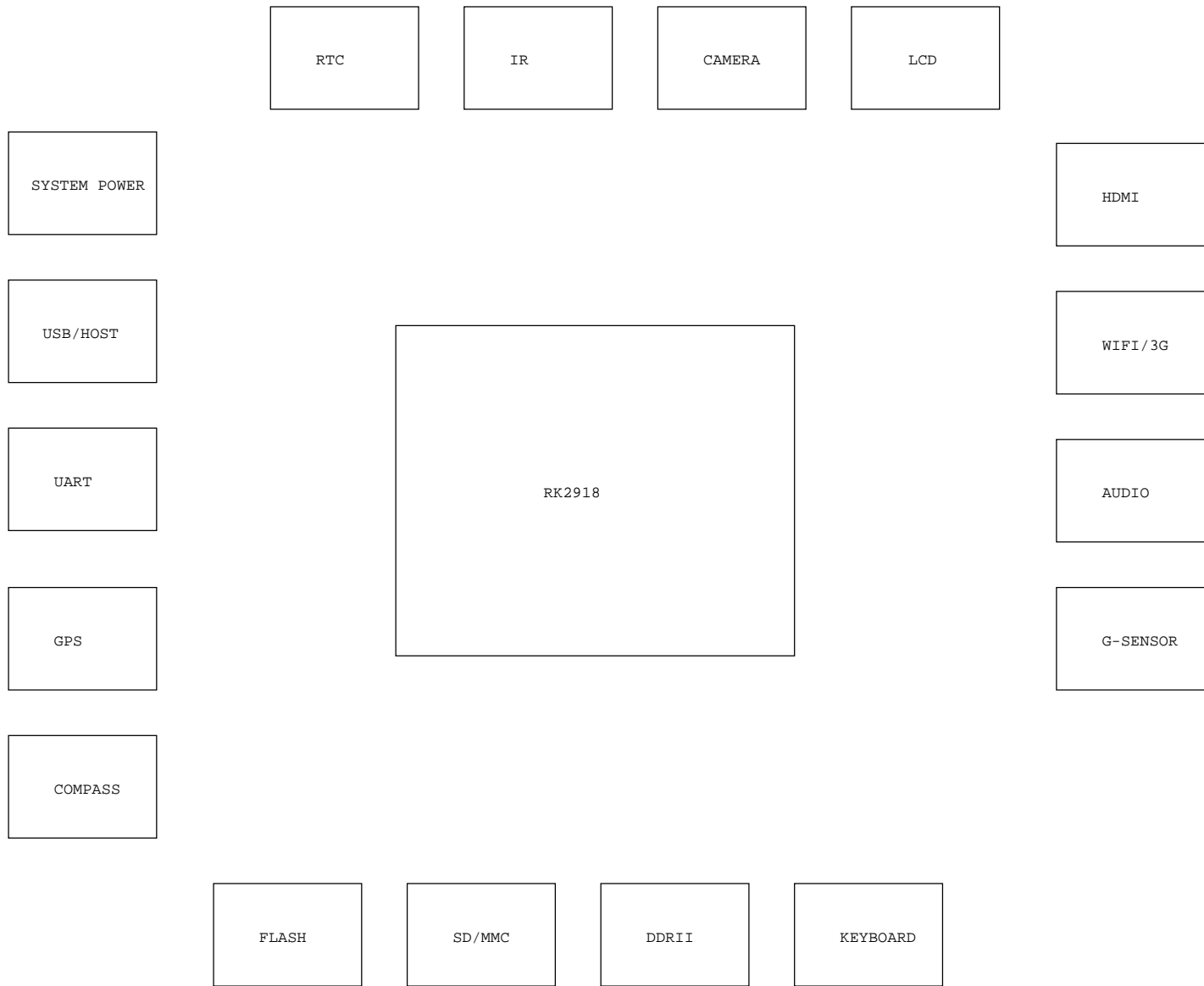
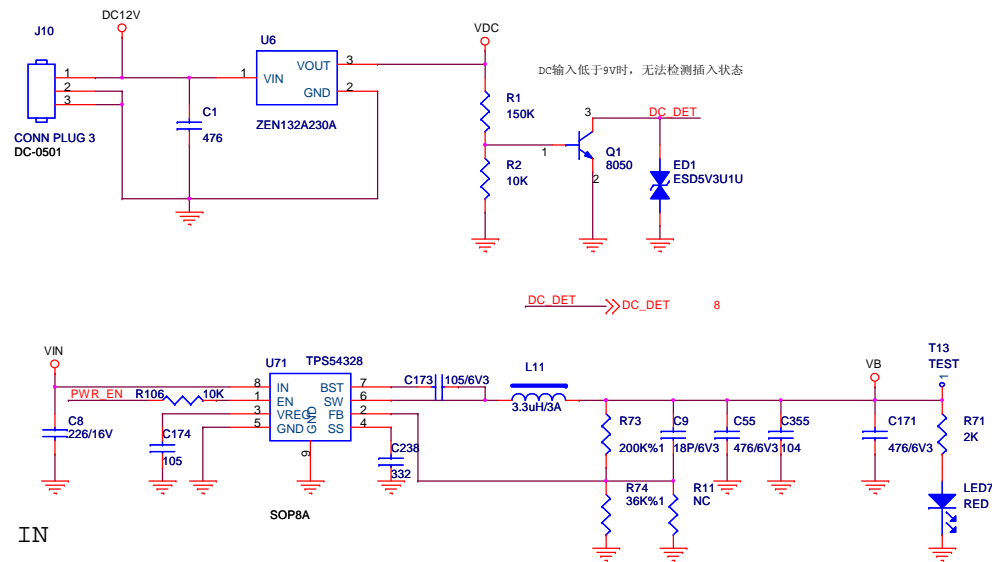


Version	Date	Author	Change Note	Approved
V0.1	20101203	HCH		
V0.2	20101206	HCH	修改说明见修改记录	

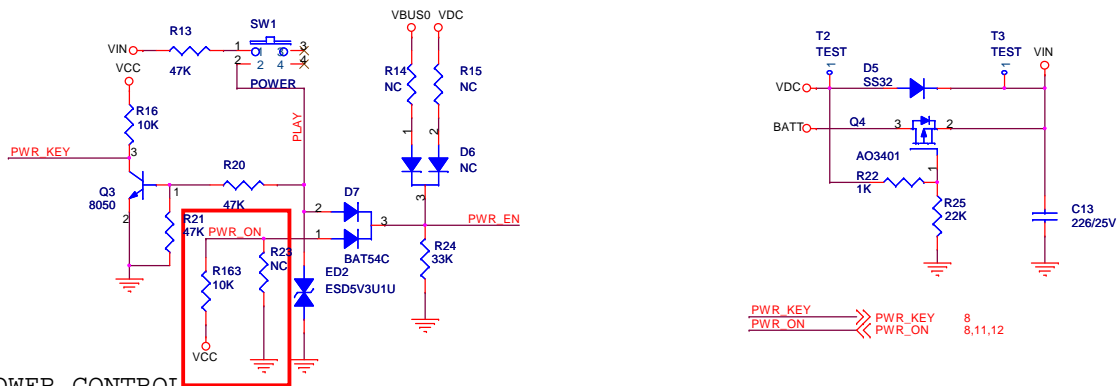
备注:

1. I2C0给电源相关IC及常用的常供电功能模块用;
2. I2C1给显示相关的常供电功能模块用;
3. UART1只做调试用;
4. IO作为输入口时的上拉口没有下拉功能, 下拉口没上拉功能;
5. 各组GPIO默认状态见RK2900 IO分配表;

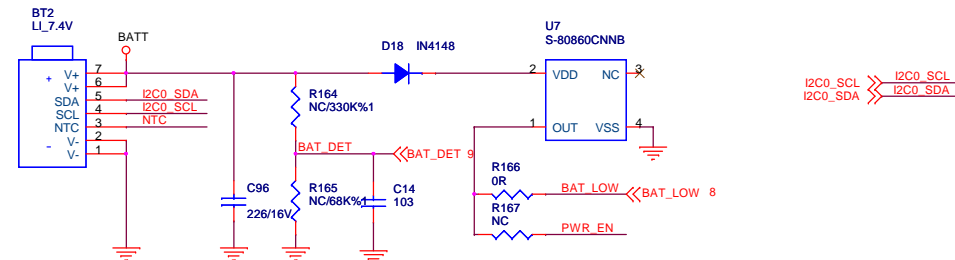




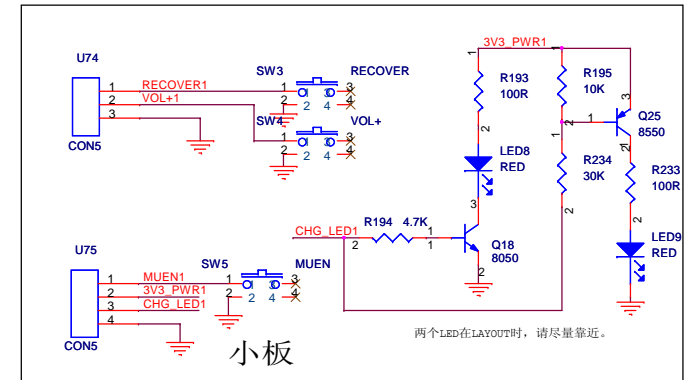
AC/DC IN



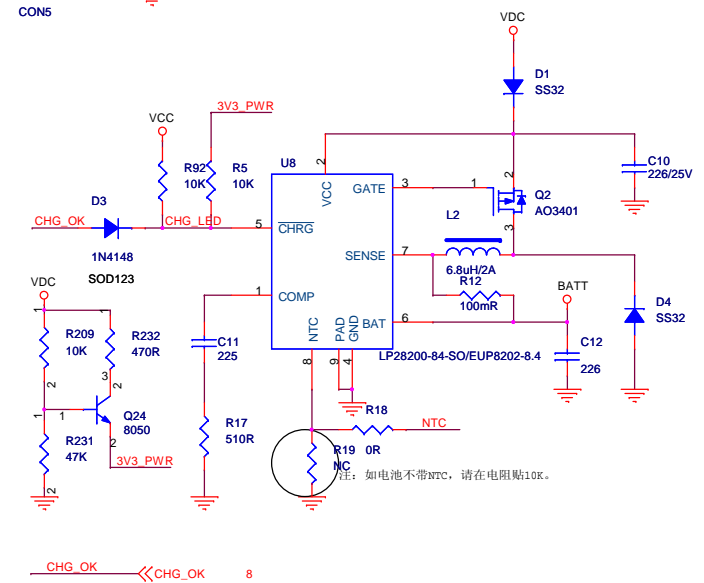
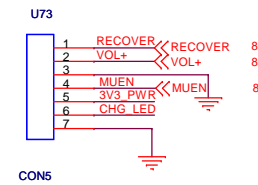
POWER CONTROL



新增

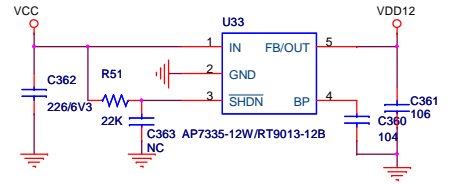
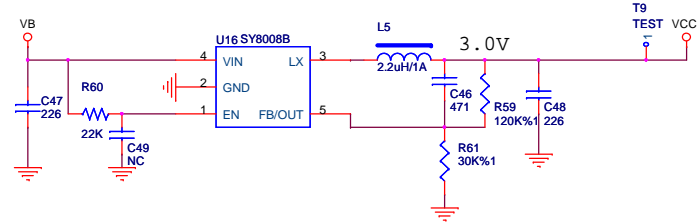
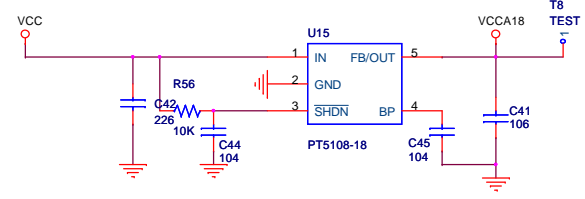
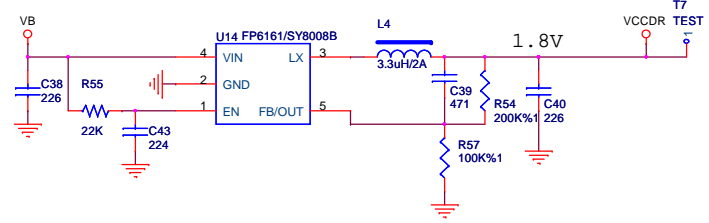
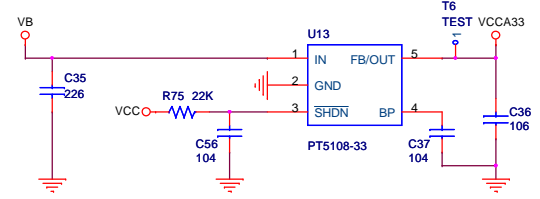
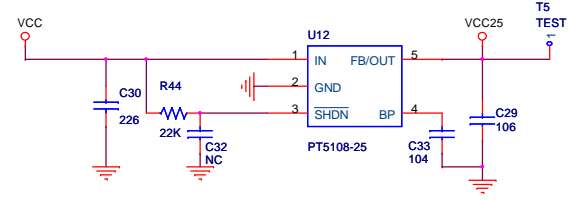
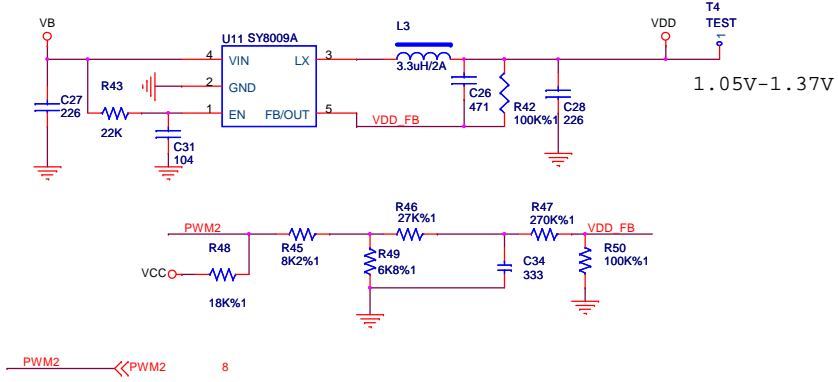


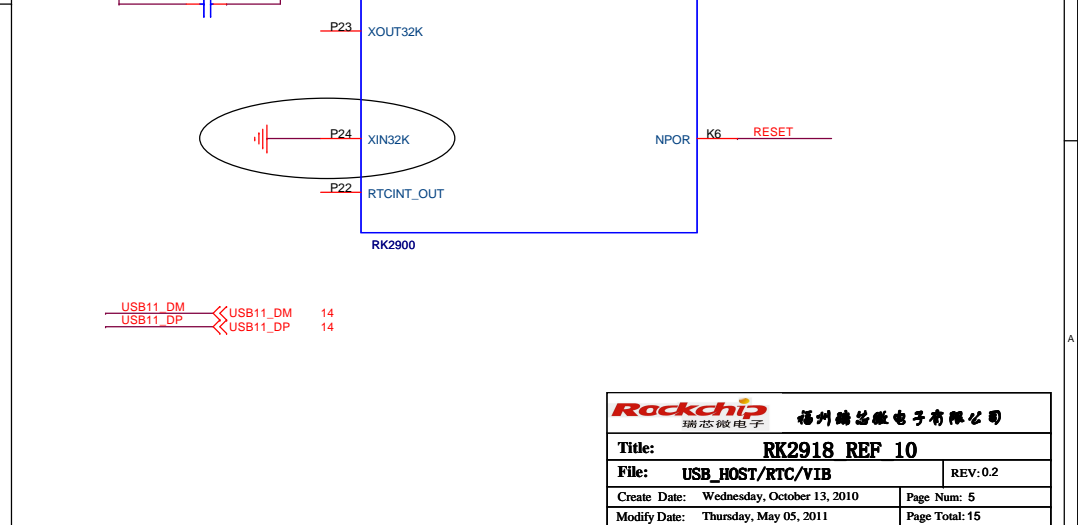
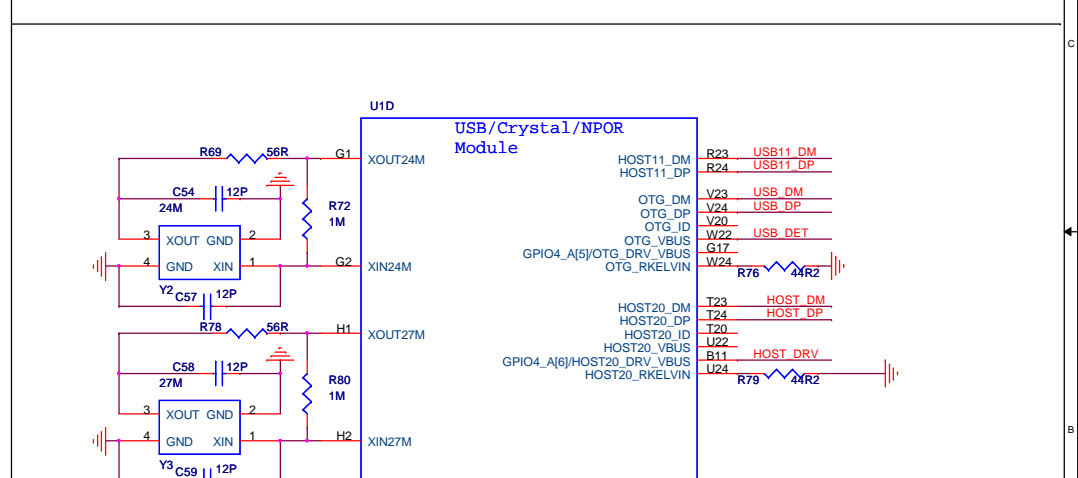
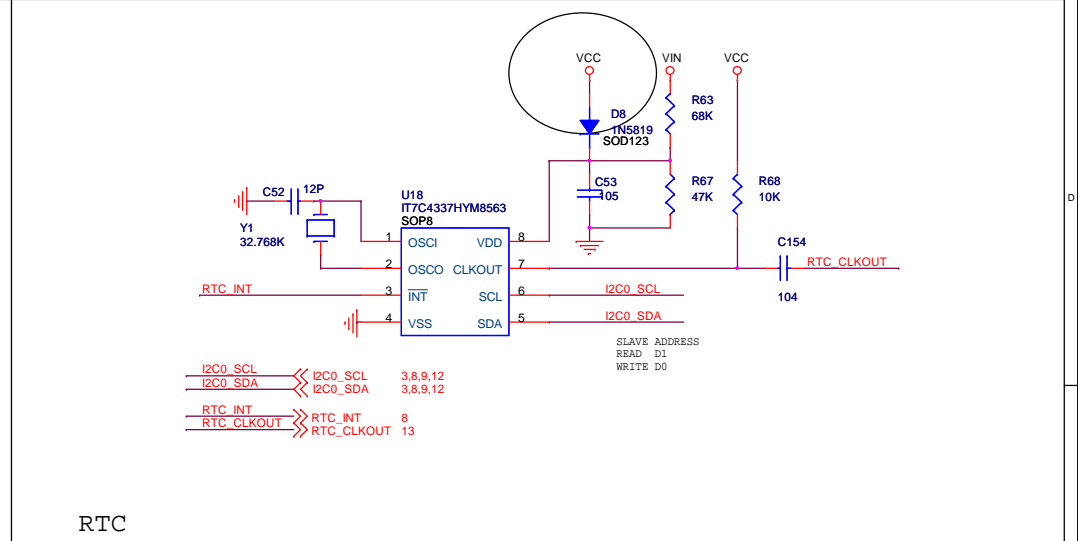
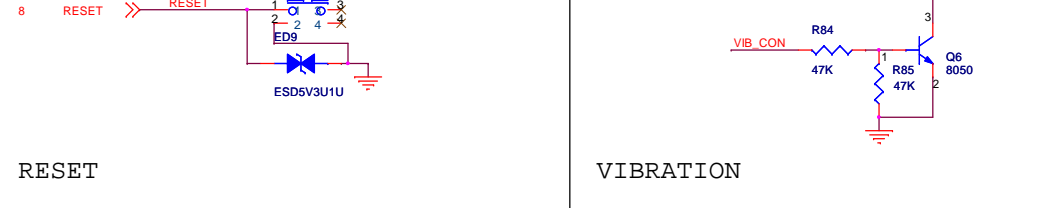
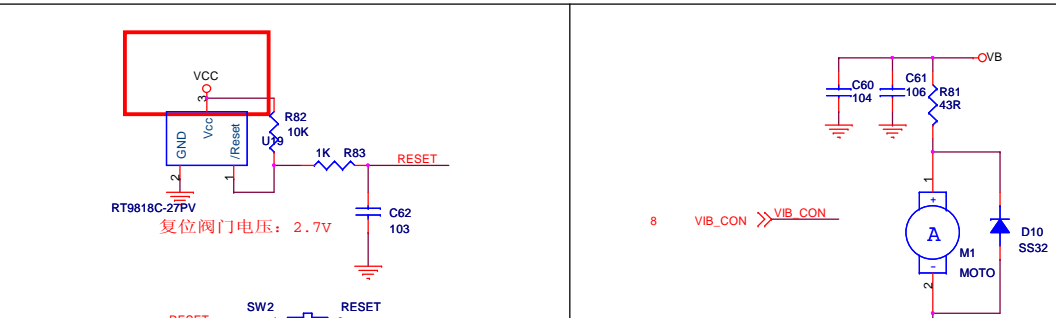
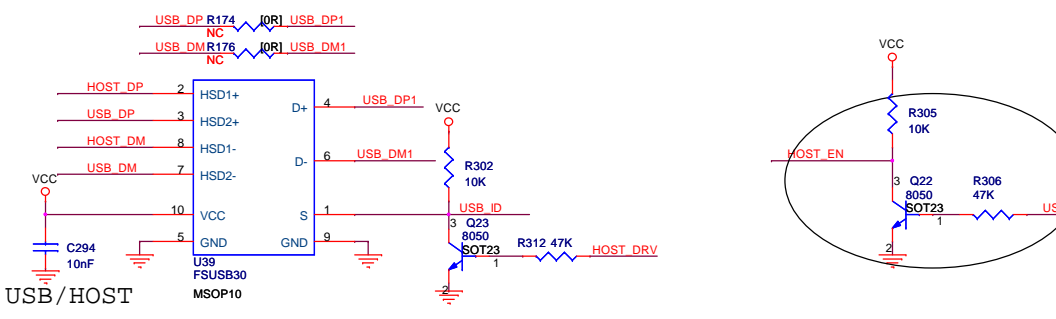
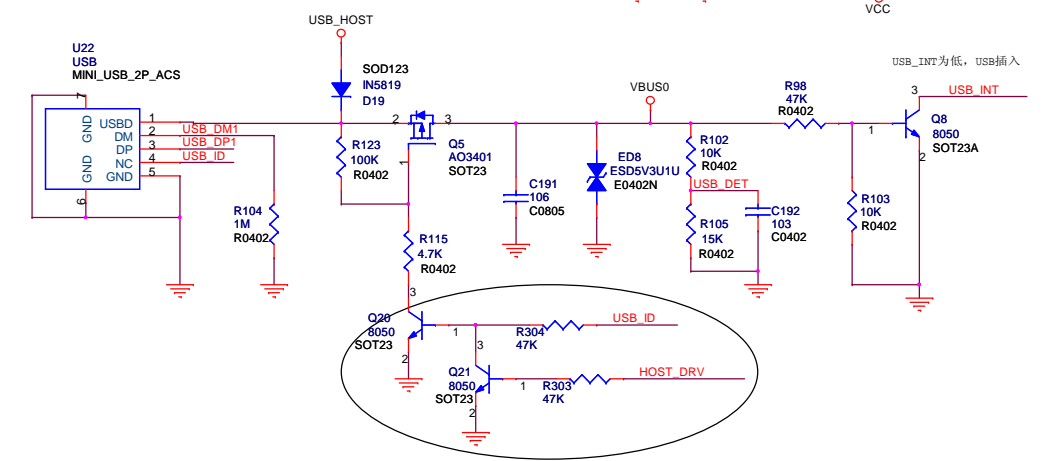
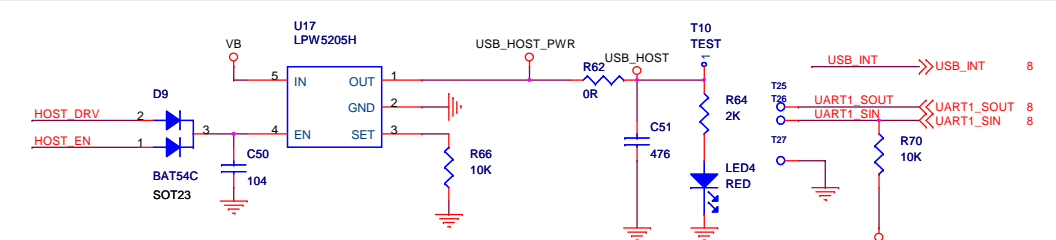
小板

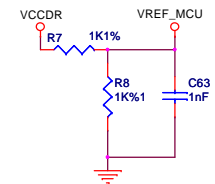
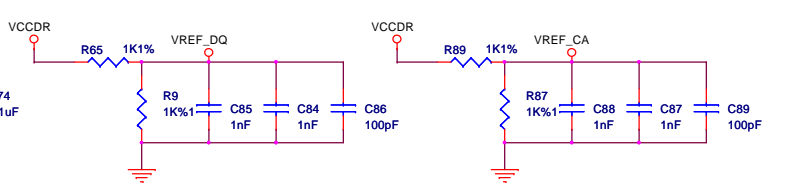
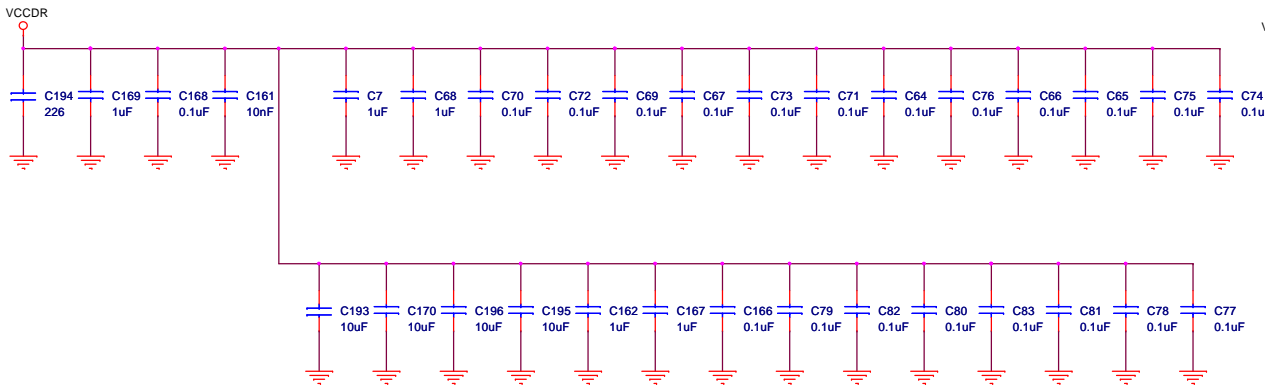
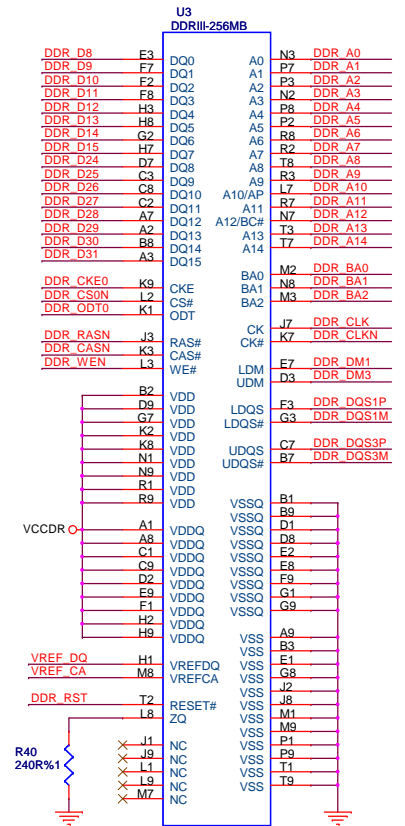
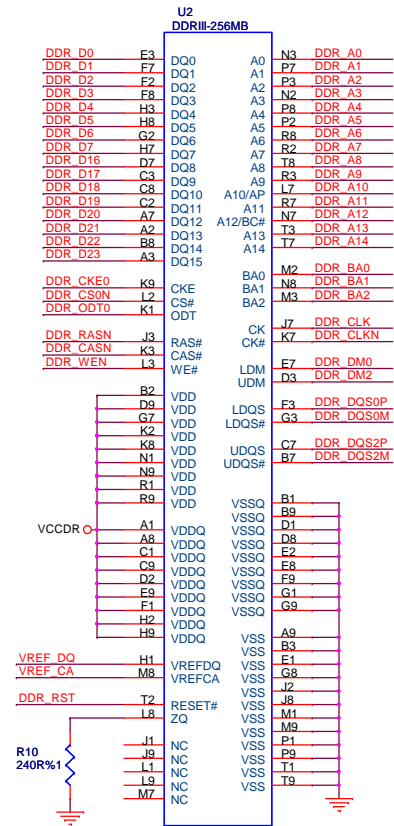
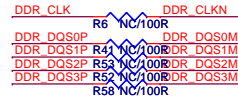
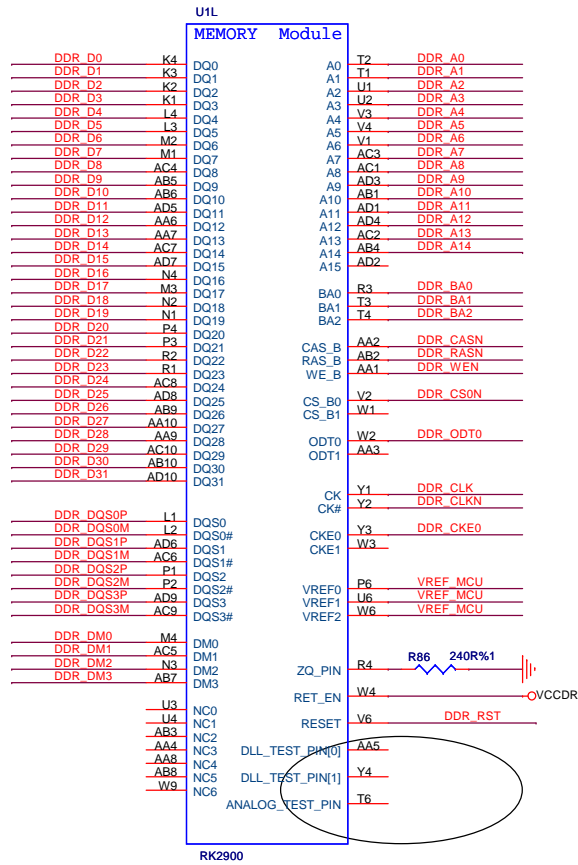


CHARG

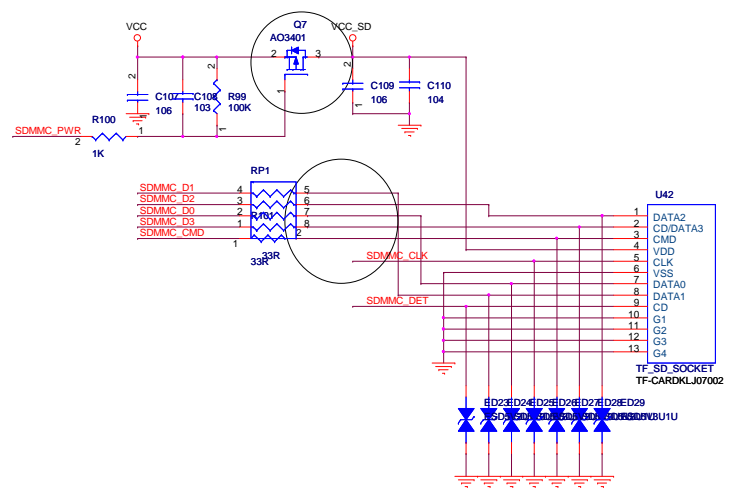
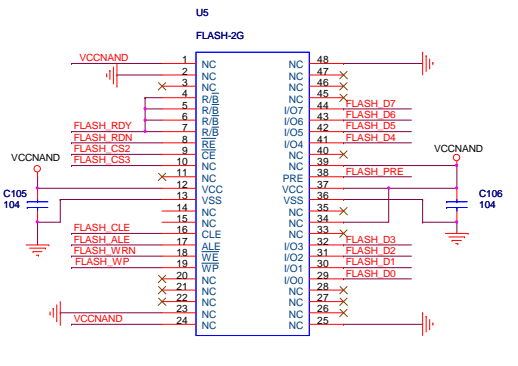
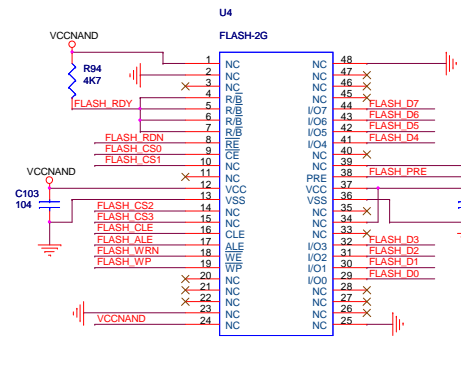
Rockchip 瑞芯微电子		福州瑞芯微电子股份有限公司	
Title: RK2918 REF 10		REV:0.2	
File: AC/CHARG		Page Num: 3	
Create Date: Wednesday, October 27, 2010	Modify Date: Thursday, May 05, 2011		
Page Total: 15			



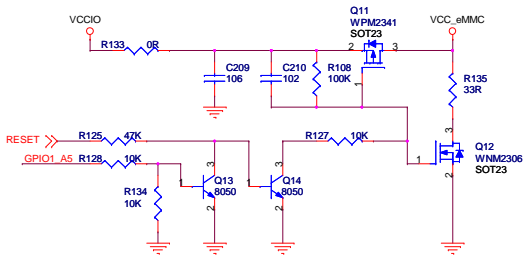
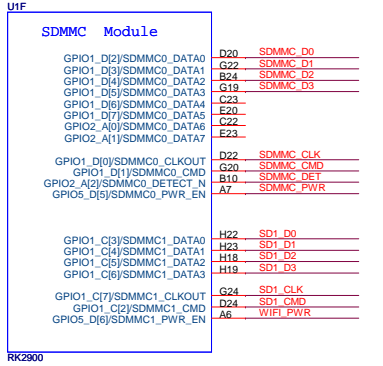




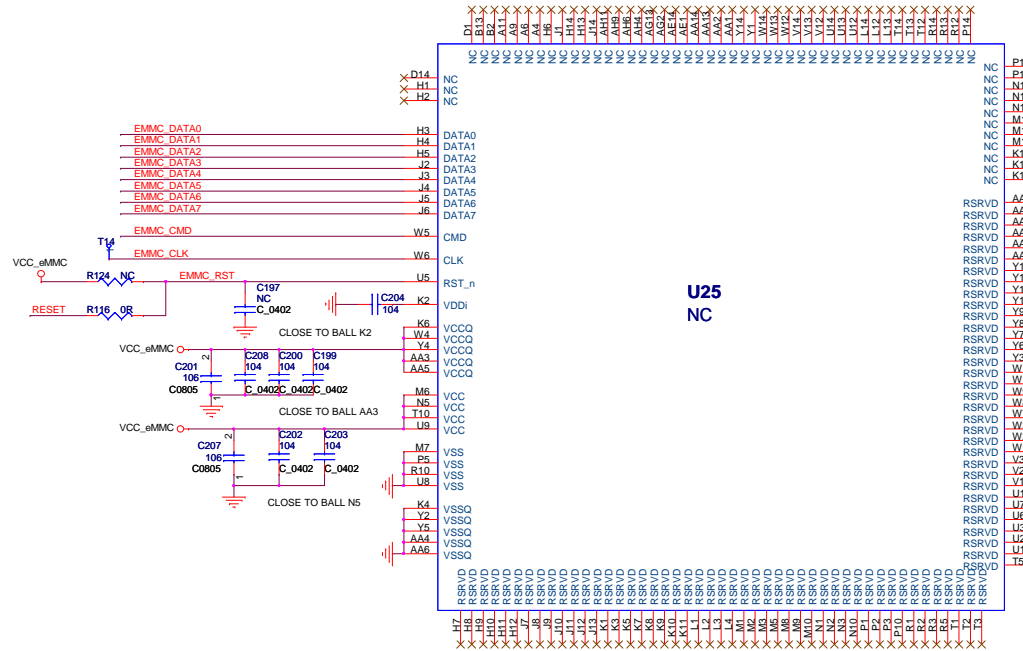
DDR FILTER



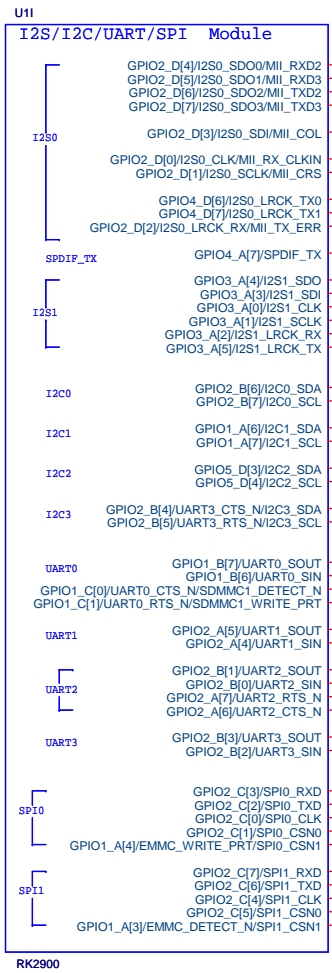
FLASH



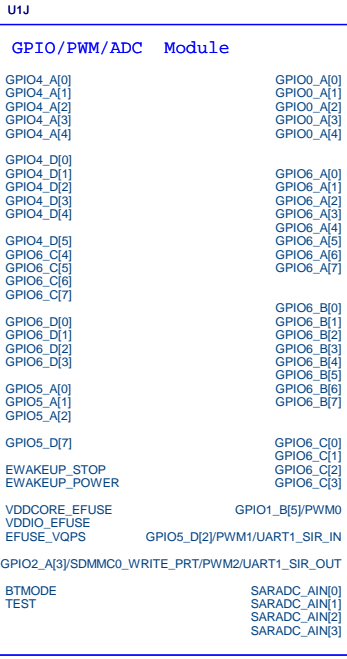
- 13 SD1_D0
- 13 SD1_D1
- 13 SD1_D2
- 13 SD1_D3
- 13 SD1_CMD
- 13 SD1_CLK
- 13 SD1_PWR



U25 NC



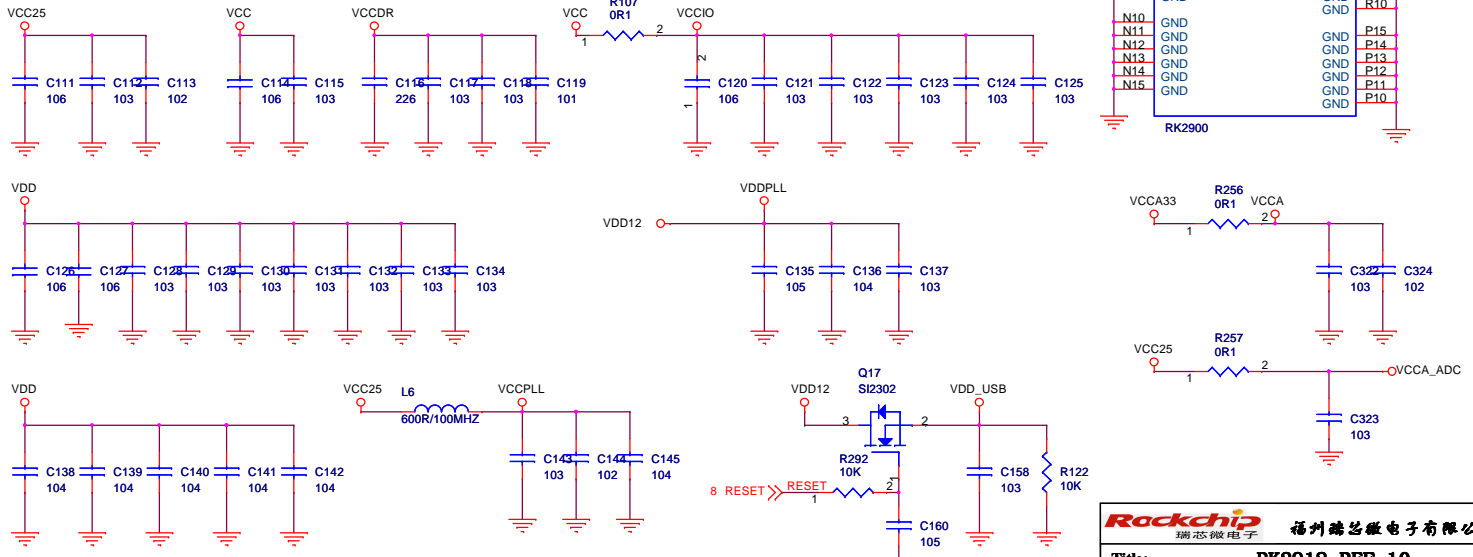
RK2900



RK2900



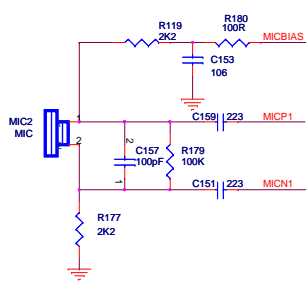
RK2900



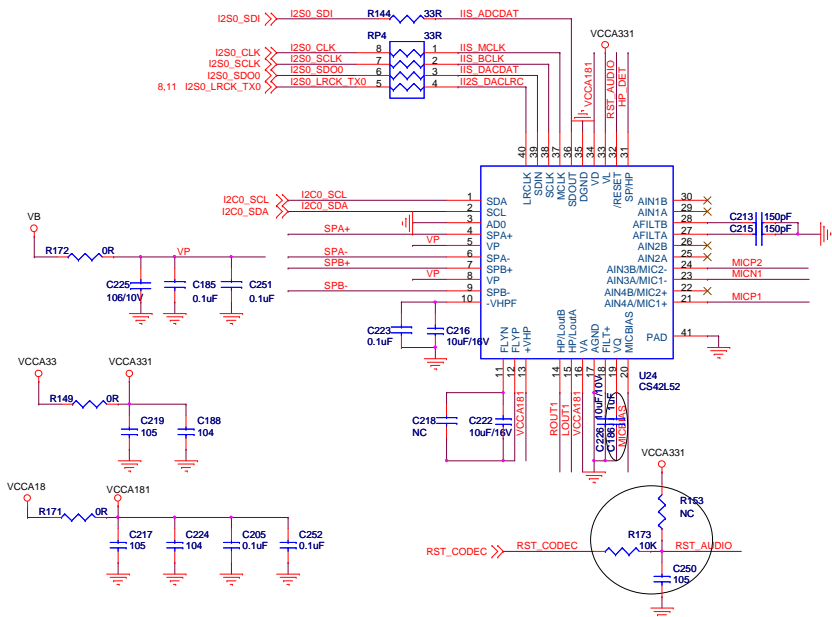
Rackchip 瑞芯微电子

福州瑞芯微电子股份有限公司

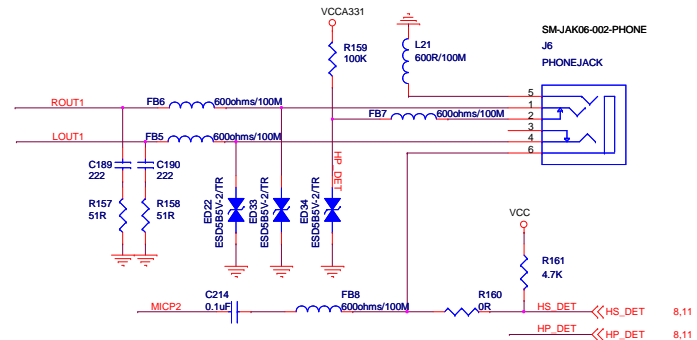
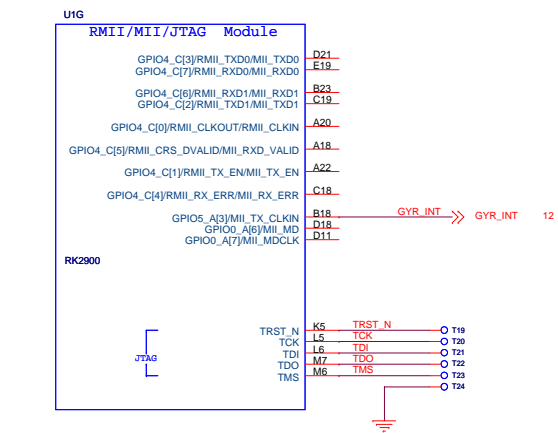
Title: RK2918 REF 10	
File: GPIO	REV:0.2
Create Date: Monday, October 18, 2010	Page Num: 8
Modify Date: Thursday, May 05, 2011	Page Total: 15



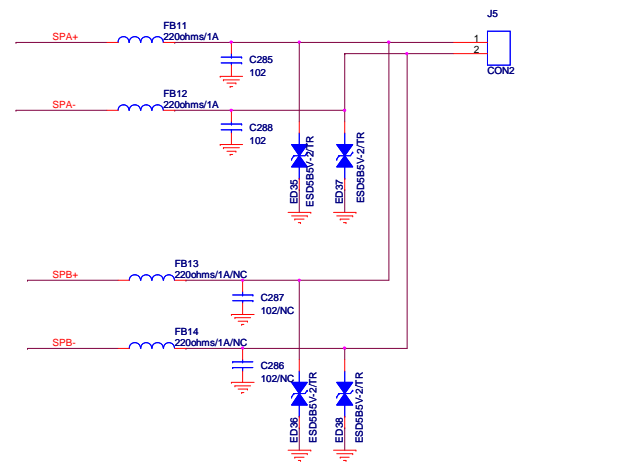
MIC

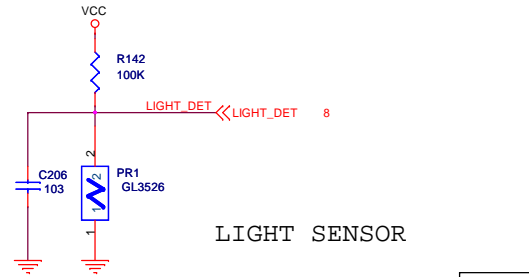
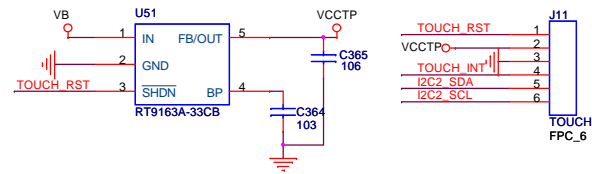
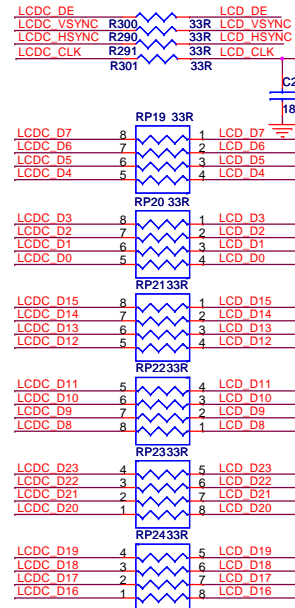
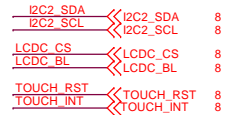
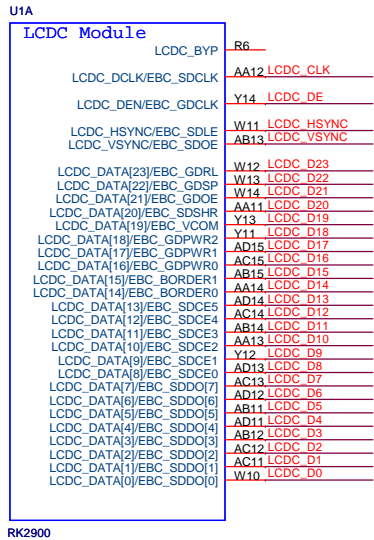
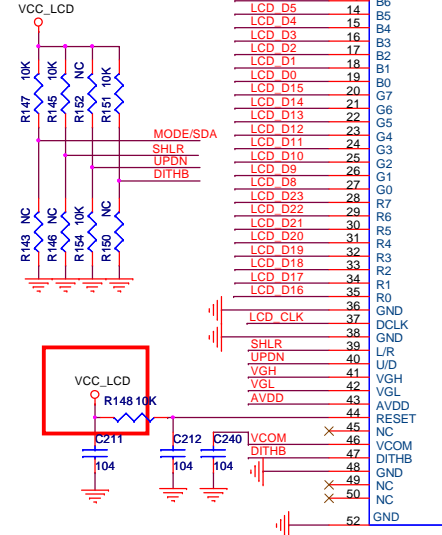
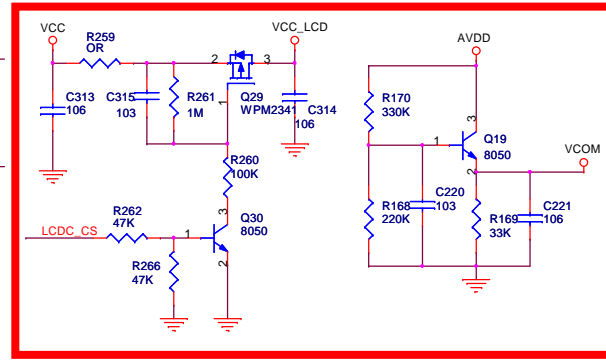
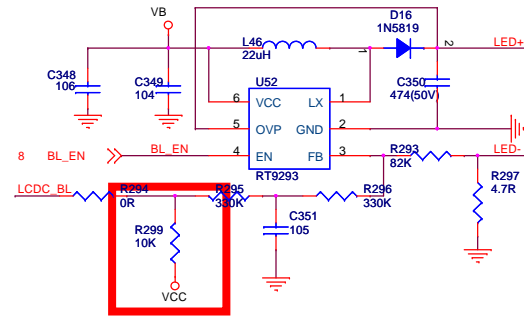
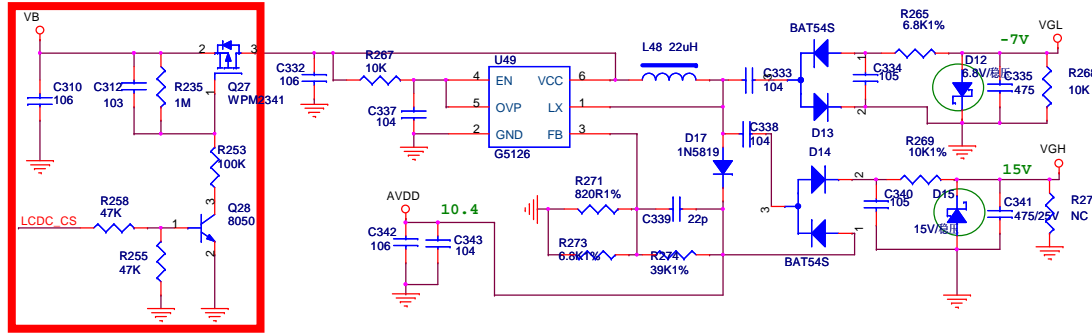


CODEC



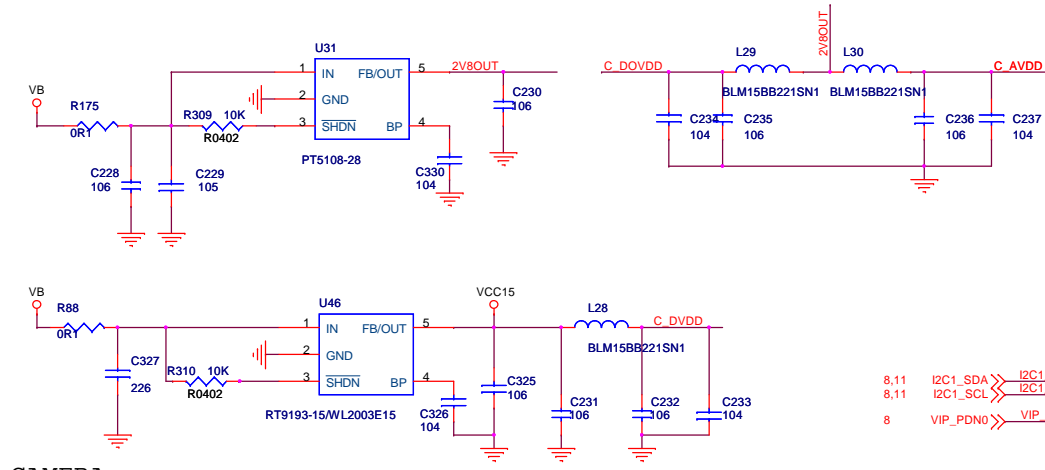
HEADPHONE



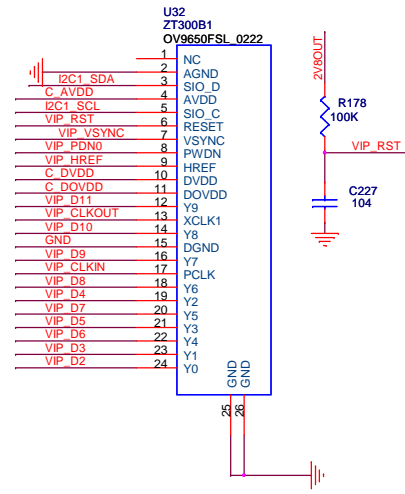


LCD CONNECTOR

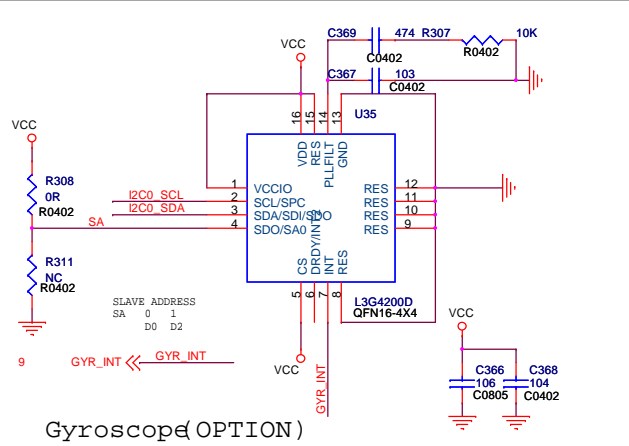
LIGHT SENSOR



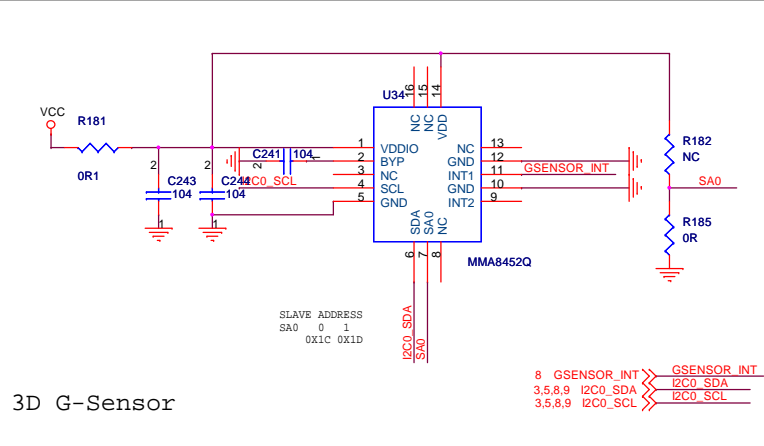
CAMERA



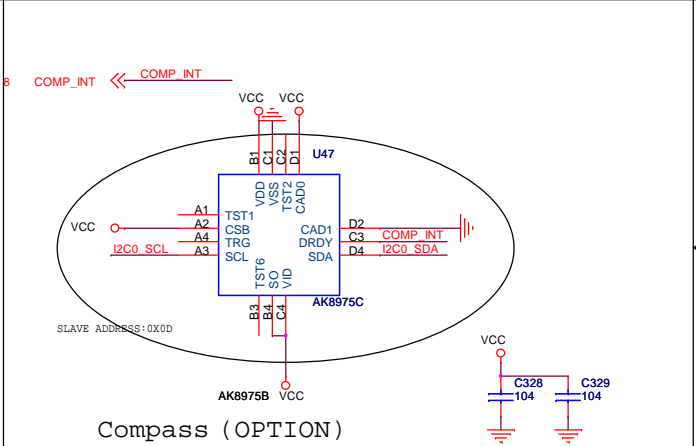
8,11 I2C1_SDA >> I2C1_SDA
 8,11 I2C1_SCL >> I2C1_SCL
 8 VIP_PDNO >> VIP_PDNO



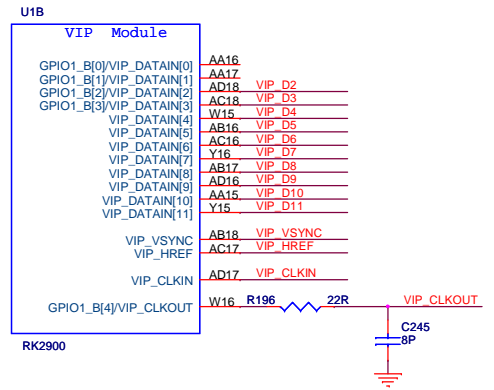
Gyroscope (OPTION)



3D G-Sensor



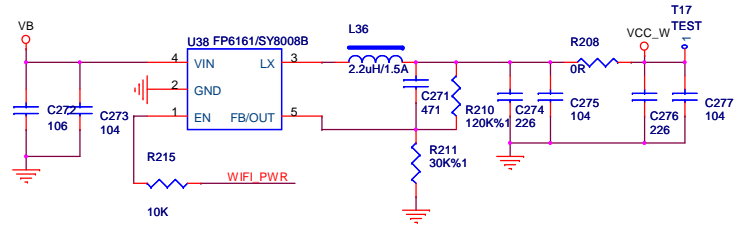
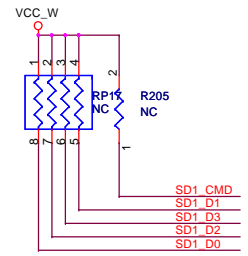
Compass (OPTION)



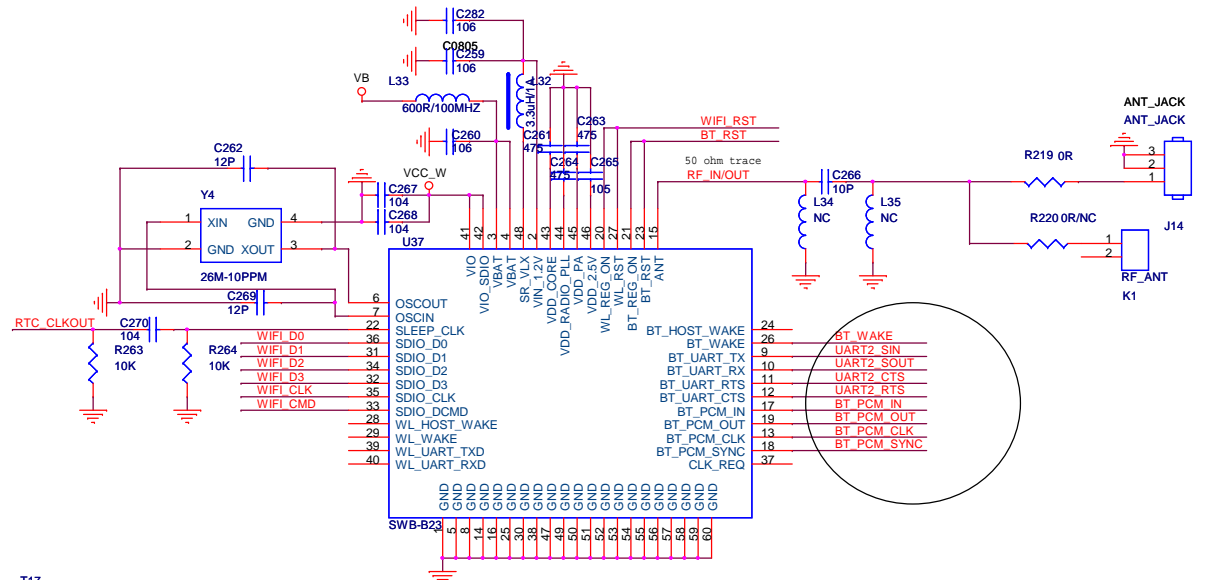
8 BT_WAKE <-> BT_WAKE
 8 UART2_SOUT <-> UART2_SOUT
 8 UART2_SIN <-> UART2_SIN
 8 UART2_CTS <-> UART2_CTS
 8 UART2_RTS <-> UART2_RTS
 8 BT_RST <-> BT_RST

5 RTC_CLKOUT <-> RTC_CLKOUT
 8 WIFI_RST <-> WIFI_RST
 7 WIFI_PWR <-> WIFI_PWR

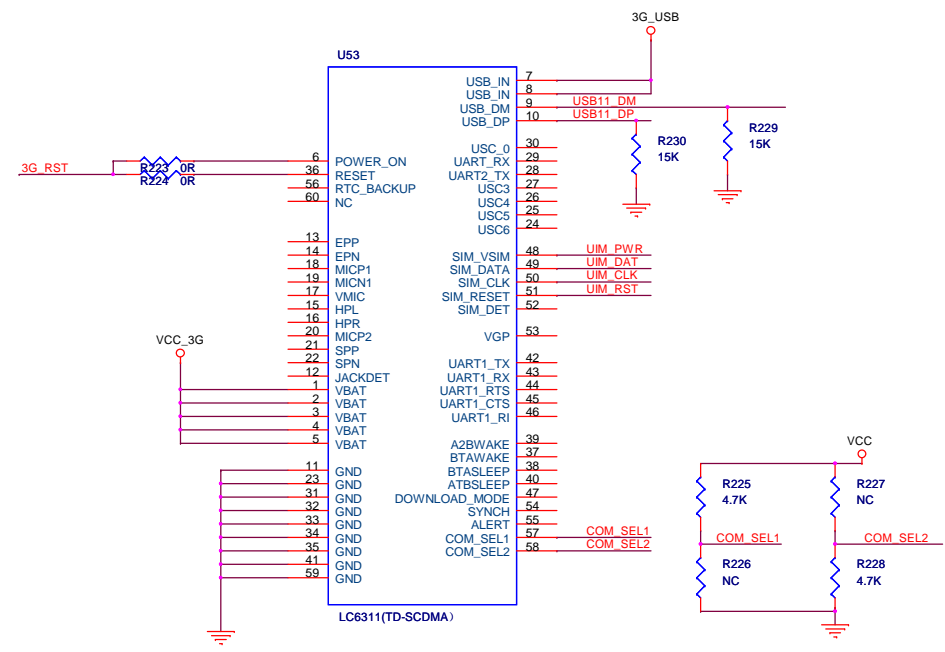
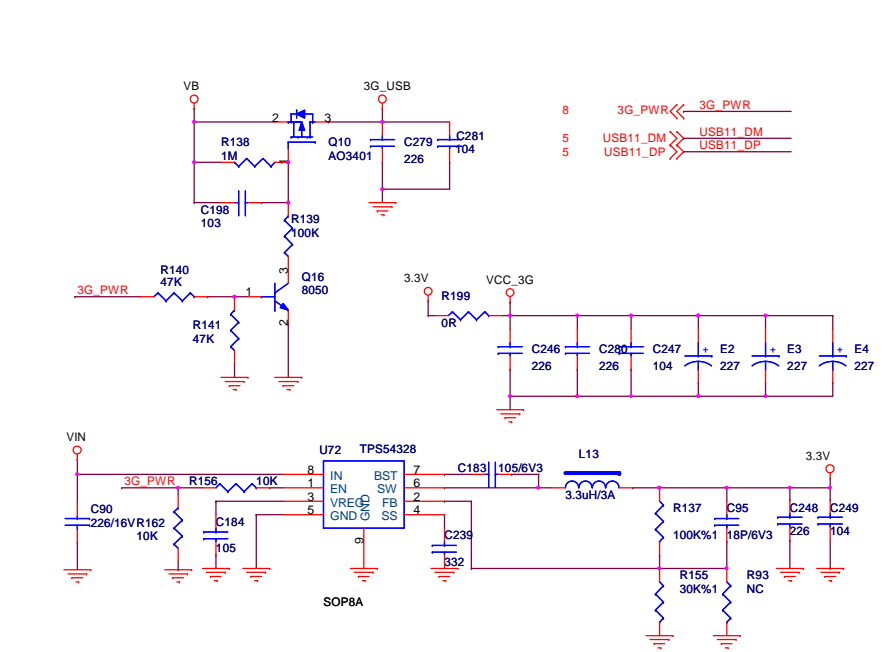
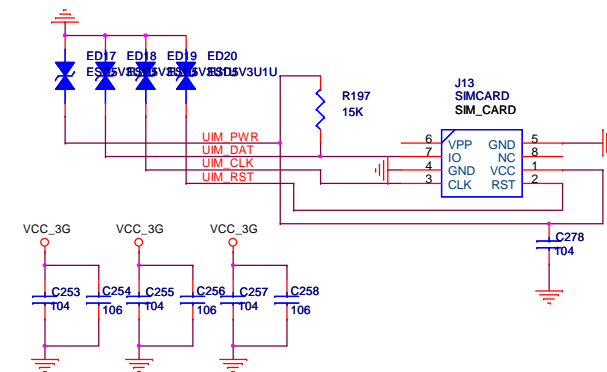
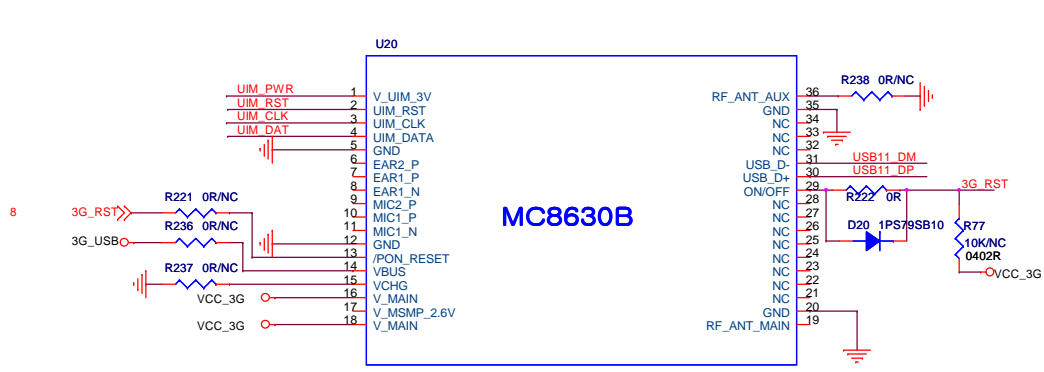
7 SD1_D0 <-> SD1_D0
 7 SD1_D2 <-> SD1_D2
 7 SD1_D3 <-> SD1_D3
 7 SD1_D1 <-> SD1_D1
 7 SD1_CMD <-> SD1_CMD
 7 SD1_CLK <-> SD1_CLK



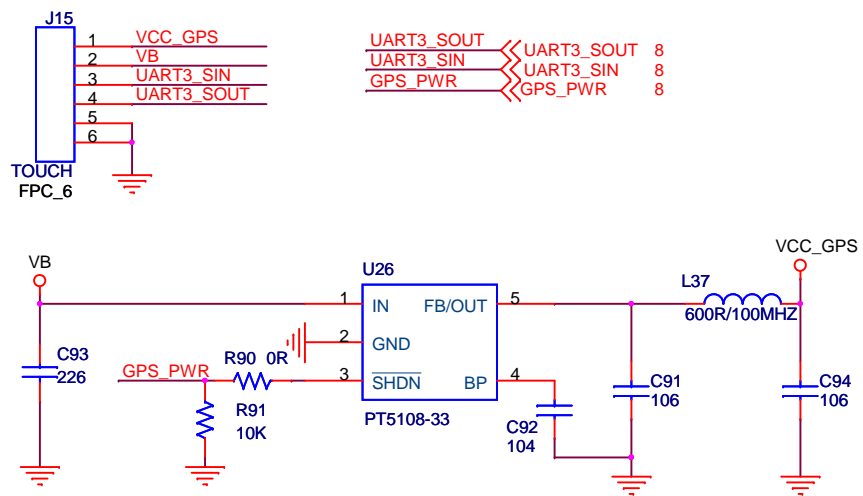
WIFI+BT



BT_PCM_IN <-> I2S1_SDO <-> I2S1_SDO 8
 BT_PCM_OUT <-> R212 <-> 33R I2S1_SDI <-> I2S1_SDI 8
 BT_PCM_CLK <-> R213 <-> 33R I2S1_SCLK <-> I2S1_SCLK 8
 BT_PCM_SYNC <-> R214 <-> 33R I2S1_MCLK <-> I2S1_MCLK 8
 <-> R216 <-> NC I2S1_LRCK_RX <-> I2S1_LRCK_RX 8
 <-> R217 <-> 33R I2S1_LRCK_TX <-> I2S1_LRCK_TX 8
 <-> R218 <-> NC



GPS



		瑞芯微电子		福州瑞芯微电子有限公司	
Title:		RK2908 REF 10			
File:		GPS		REV: 0.1	
Create Date:		Wednesday, November 10, 2010		Page Num: 15	
Modify Date:		Thursday, May 05, 2011		Page Total: 15	