

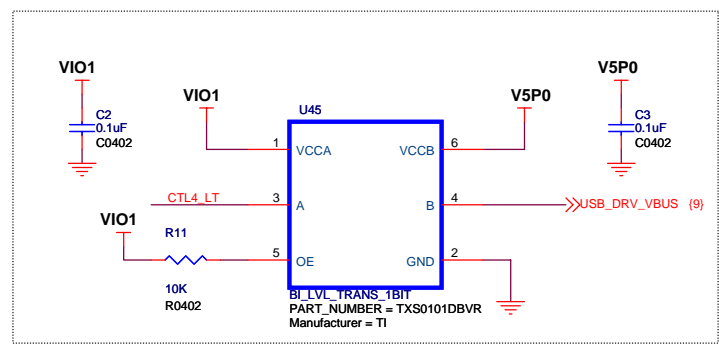
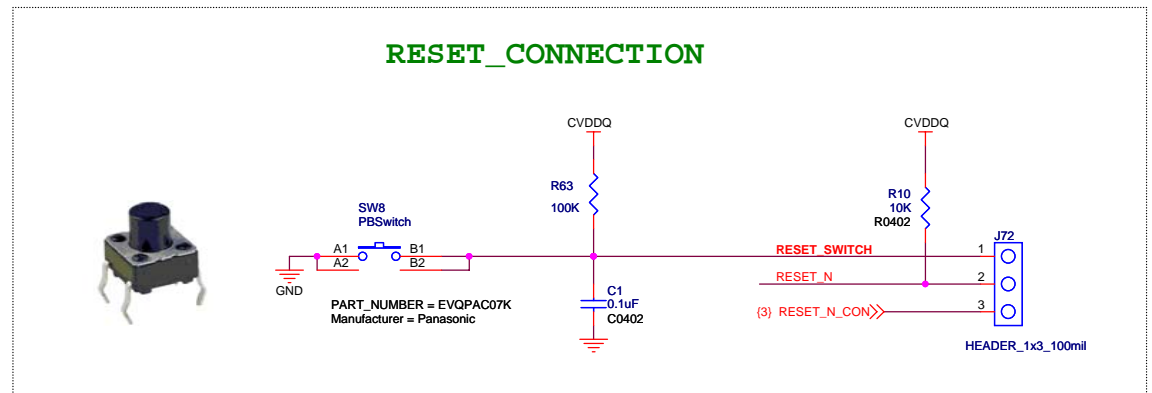
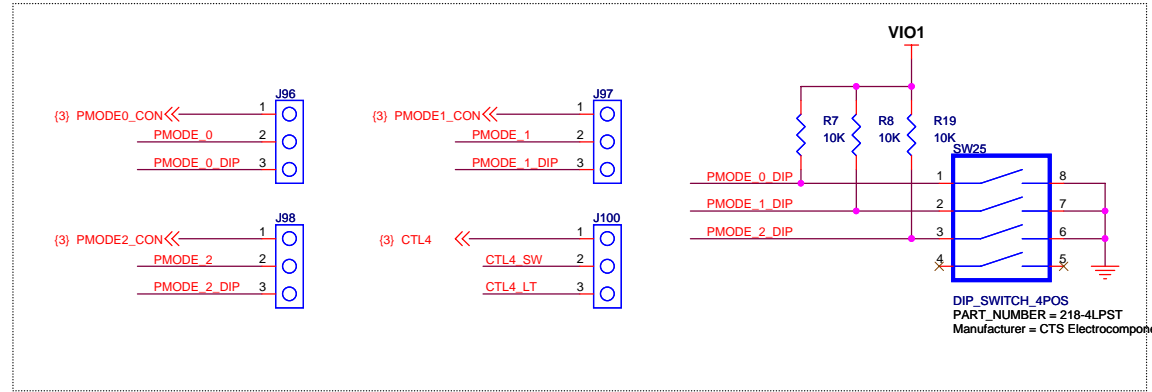
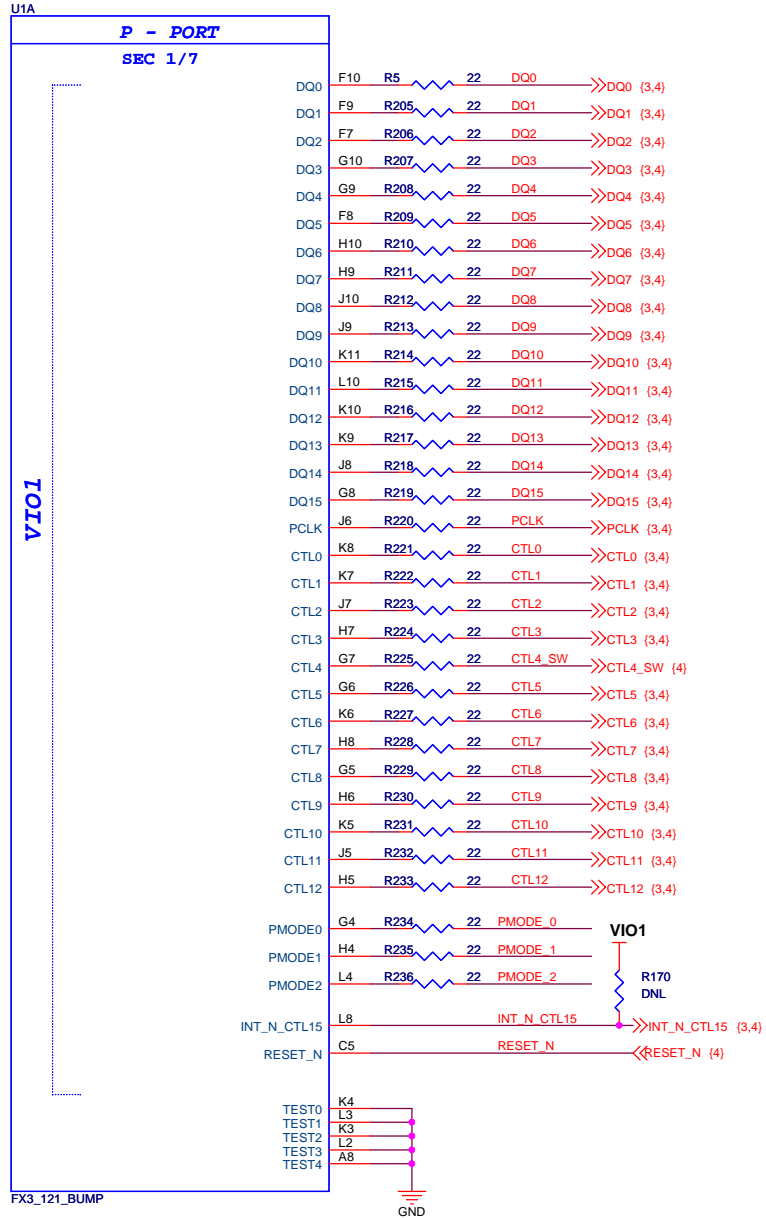
# ***FX3 DVK DEVICE BOARD***

***REV - 2.0***

**PAGE 01 : INDEX PAGE**  
**PAGE 02 : P-PORT CONNECTIONS 1**  
**PAGE 03 : P/S0/S1 PORT TO SAMTEC**  
**PAGE 04 : MICTOR CONNECTIONS**  
**PAGE 05 : S0/S1 PORT CONNECTIONS**  
**PAGE 06 : S1 TO UART/I2C EEPROM**  
**PAGE 07 : CLOCK SIGNALS**  
**PAGE 08 : JTAG CONNECTIONS**  
**PAGE 09 : USB CONNECTIONS**  
**PAGE 10 : FX3 POWER**  
**PAGE 11 : 5V INPUT / 3.3V - 2.5V REG**  
**PAGE 12 : 1.2V / 1.8V REG**  
**PAGE 13 : POWER CONNECTORS**  
**PAGE 14 : POWER LED'S**

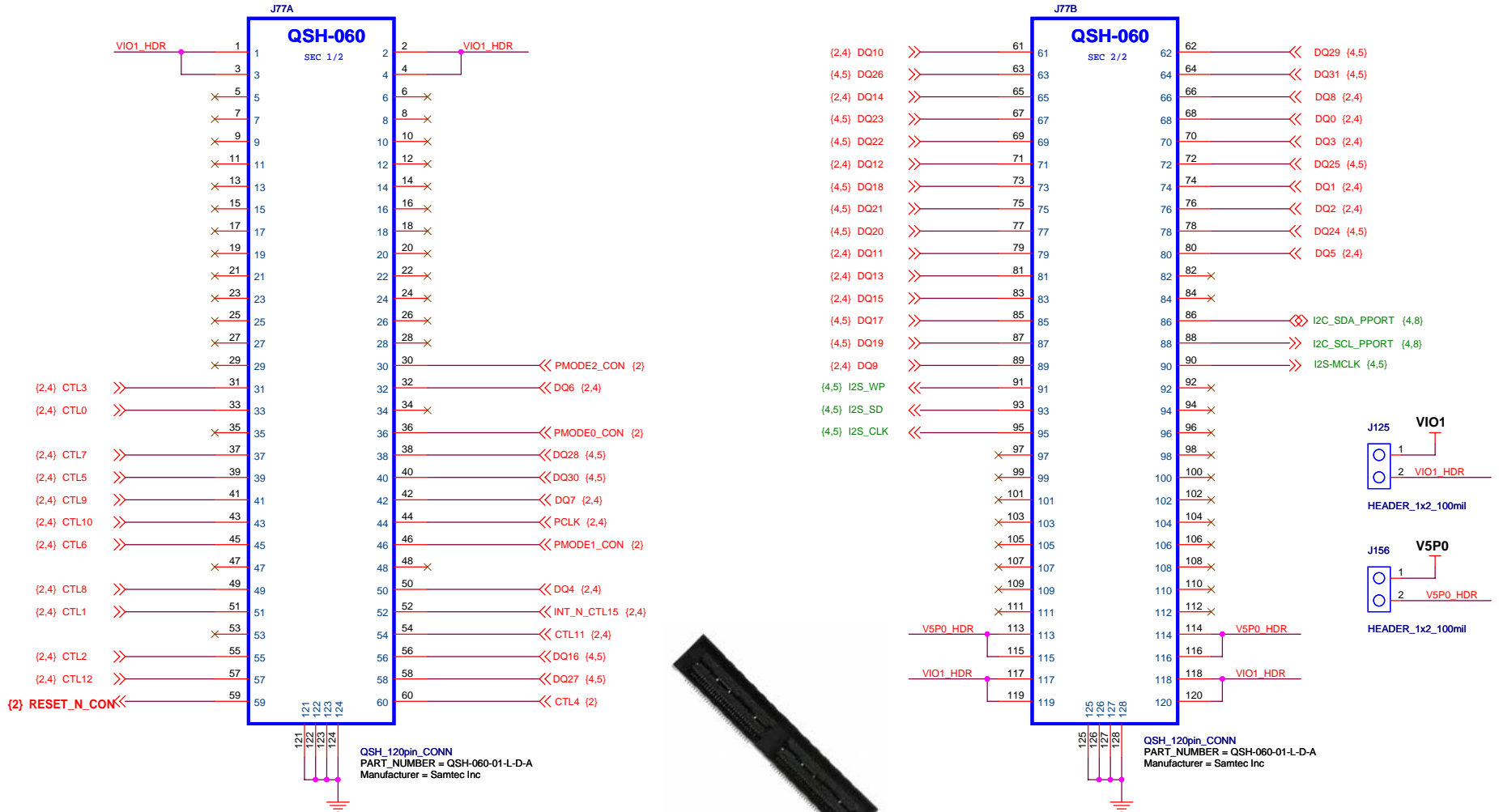
Title		
FX3 DVK DEVICE BOARD		
Size	Document Number	Rev
B	305-PD-11-XXXX	2.0
Date:	Monday, May 16, 2011	Sheet 1 of 14

# P-PORT CONNECTIONS



Title		
FX3 DVK DEVICE BOARD		
Size B	Document Number	Rev
	305-PD-11-XXXX	2.0
Date:	Monday, May 16, 2011	Sheet 2 of 14

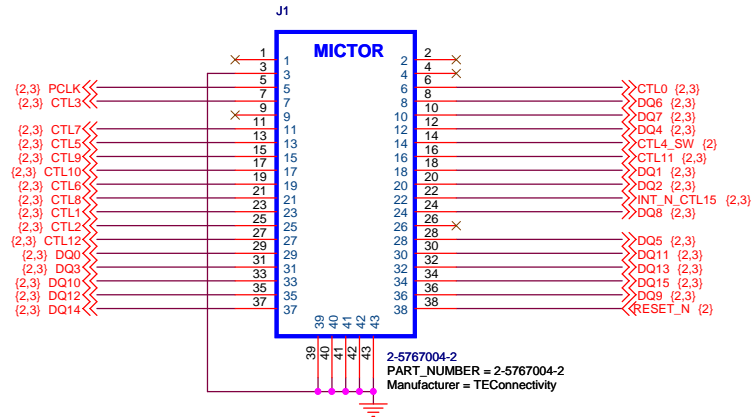
# P PORT TO SAMTEC



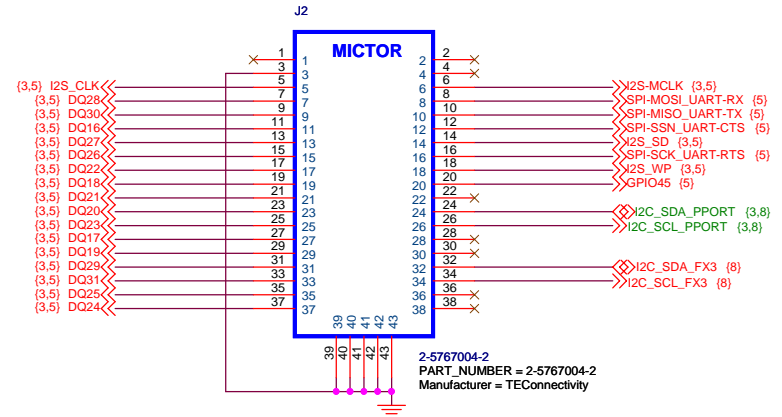
Title		
FX3 DVK DEVICE BOARD		
Size	Document Number	Rev
B	305-PD-11-XXXX	2.0
Date:	Monday, May 16, 2011	Sheet 3 of 14

# MICTOR CONNECTIONS

## P-PORT SIGNALS

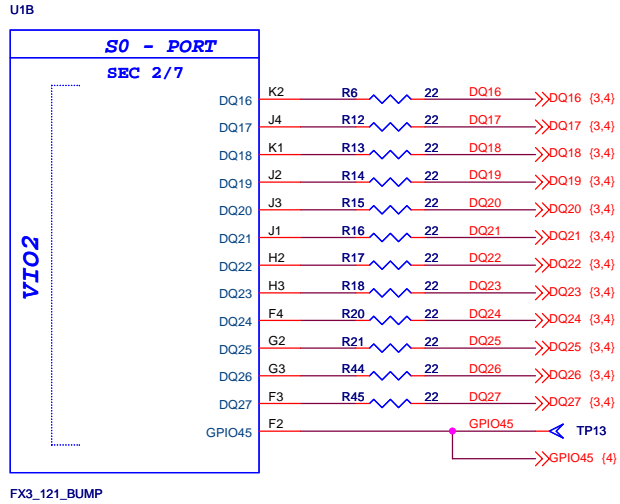


## S0/S1-PORT SIGNALS

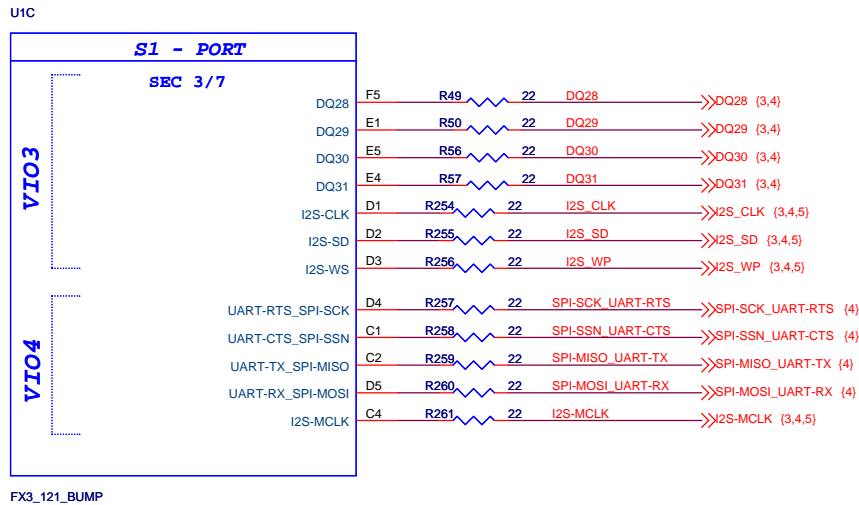


Title		
FX3 DVK DEVICE BOARD		
Size	Document Number	Rev
B	305-PD-10-xxx	2.0
Date:	Monday, May 16, 2011	Sheet 4 of 14

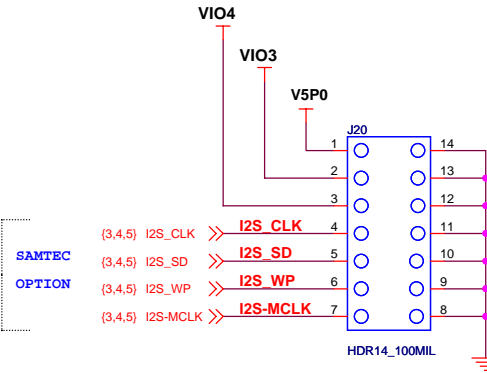
# S0-PORT CONNECTIONS



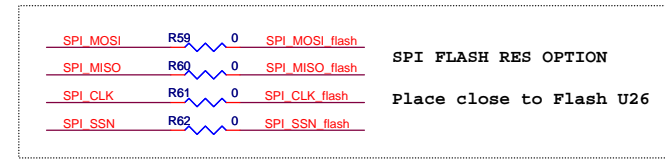
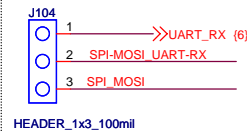
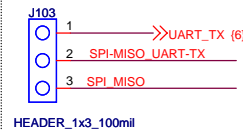
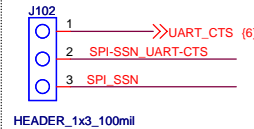
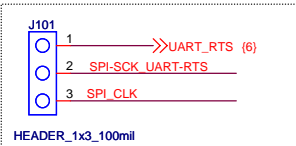
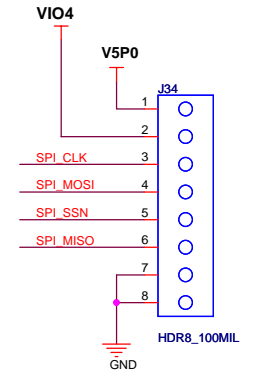
# S1-PORT CONNECTIONS



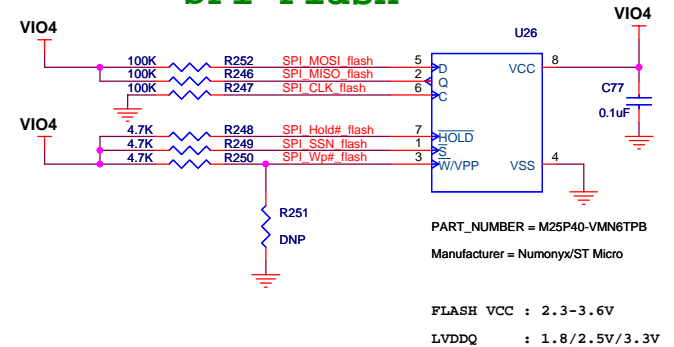
# I2S HEADER



# SPI HEADER

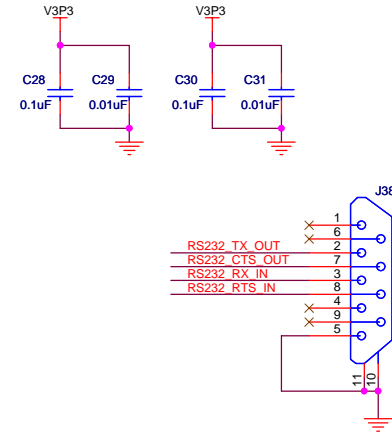
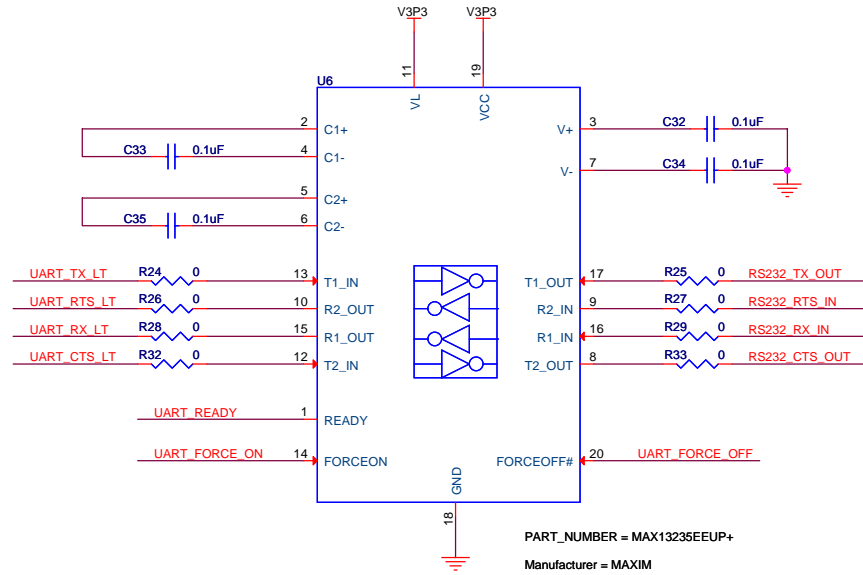
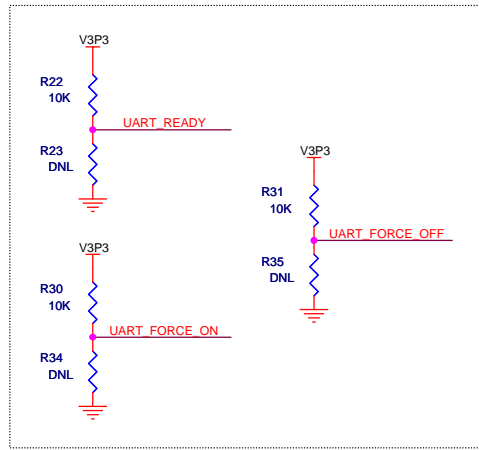


# SPI Flash



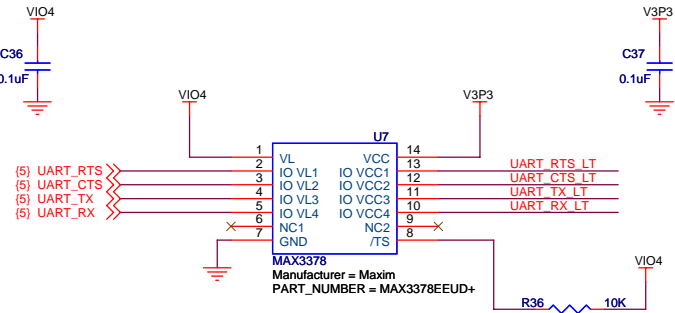
Title		
FX3 DVK DEVICE BOARD		
Size B	Document Number	Rev
	305-PD-11-XXXX	2.0
Date:	Monday, May 16, 2011	Sheet 5 of 14

# S1 UART CONNECTIONS

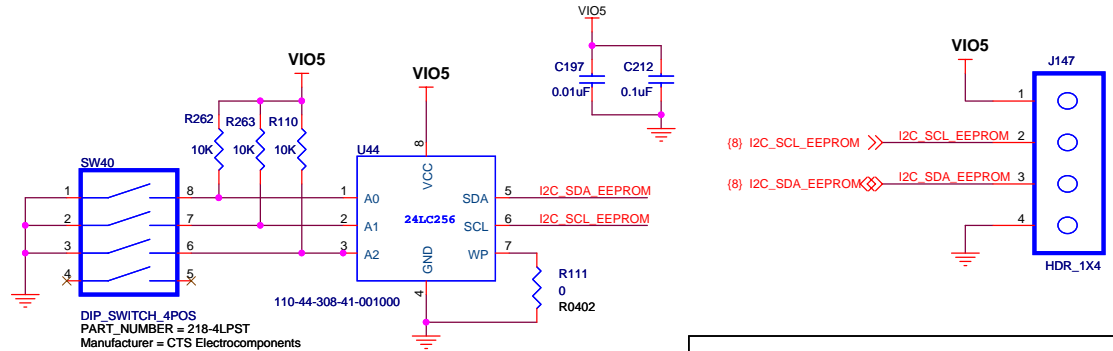


PART\_NUMBER = 182-009-213R181  
 Manufacturer = Norcomp Inc

## LEVEL TRANSLATOR

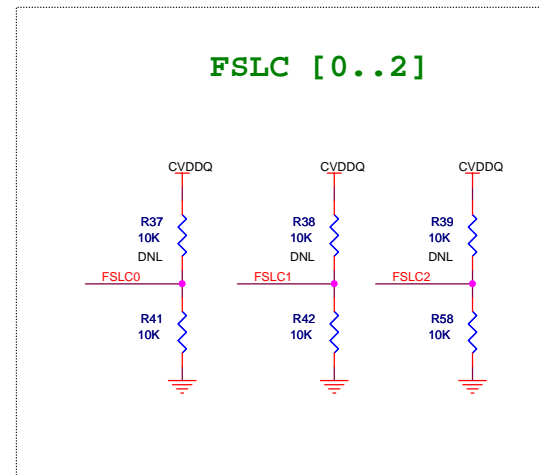
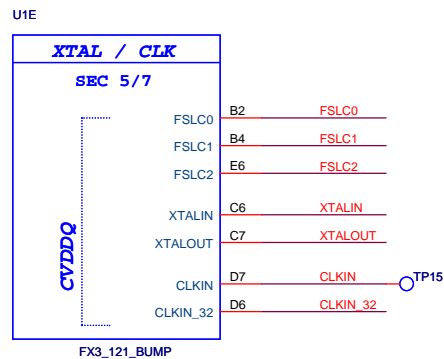


## I2C EEPROM

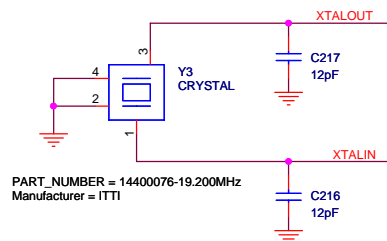


Title		
FX3 DVK DEVICE BOARD		
Size B	Document Number	Rev
	305-PD-11-XXXX	2.0
Date:	Monday, May 16, 2011	Sheet 6 of 14

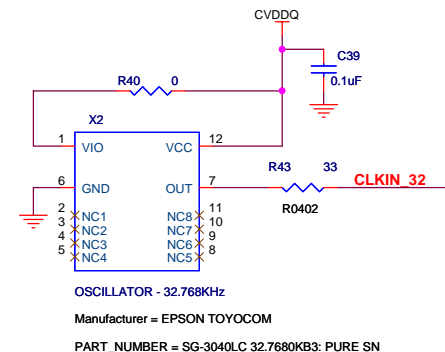
# CLOCK SIGNALS



## CRYSTAL

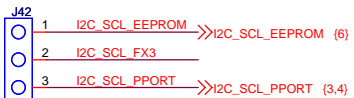
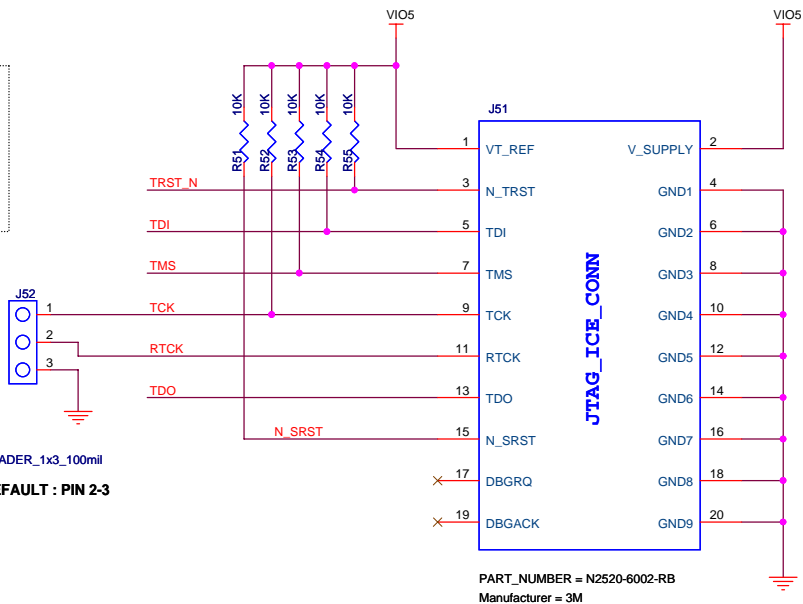
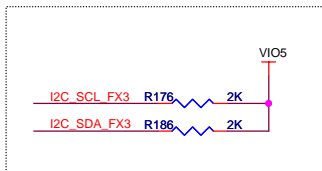
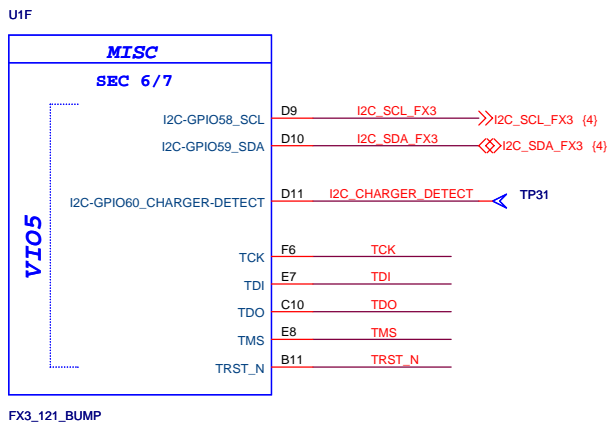


## CLOCK IN\_32



Title		
FX3 DVK DEVICE BOARD		
Size B	Document Number	Rev
	305-PD-11-XXXX	2.0
Date:	Monday, May 16, 2011	Sheet 7 of 14

# JTAG CONNECTIONS



HEADER\_1x3\_100mil

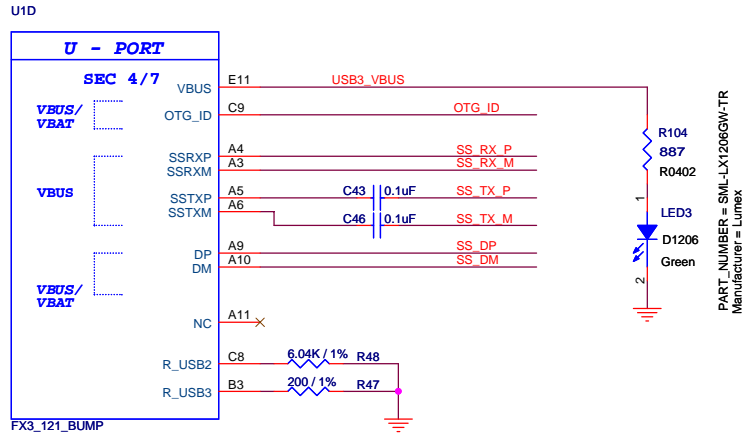


HEADER\_1x3\_100mil

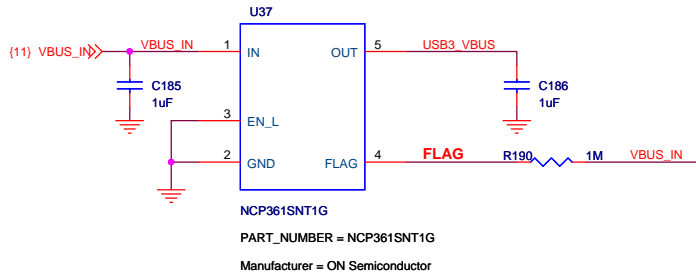
Title		
FX3 DVK DEVICE BOARD		
Size B	Document Number	Rev
	305-PD-11-XXXX	2.0
Date:	Monday, May 16, 2011	Sheet 8 of 14



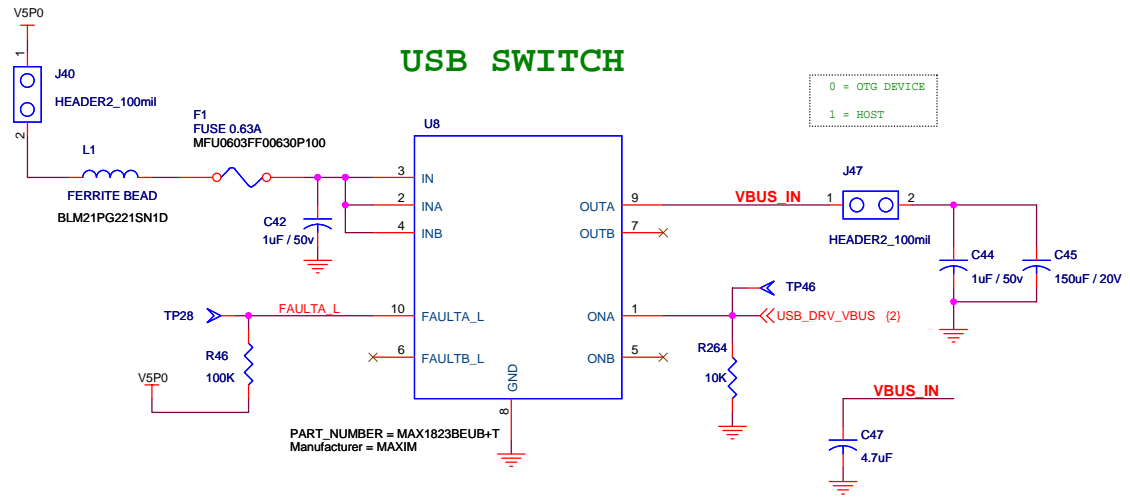
# USB CONNECTIONS



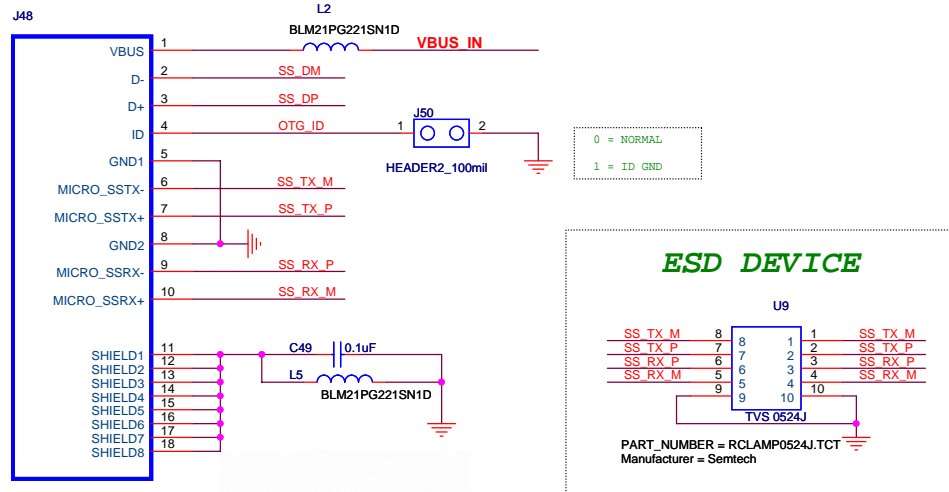
# USB Positive Overvoltage Protection Controller



# USB SWITCH

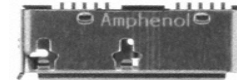


# USB3.0 MICRO -TYPE B



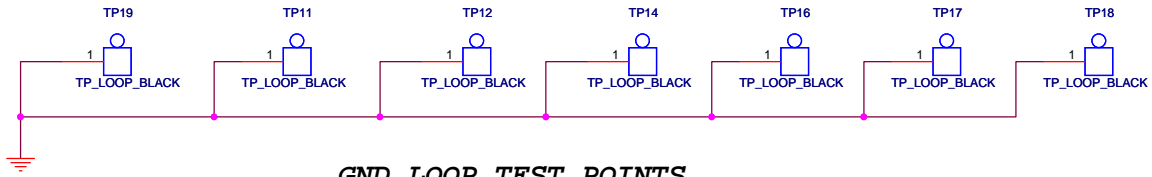
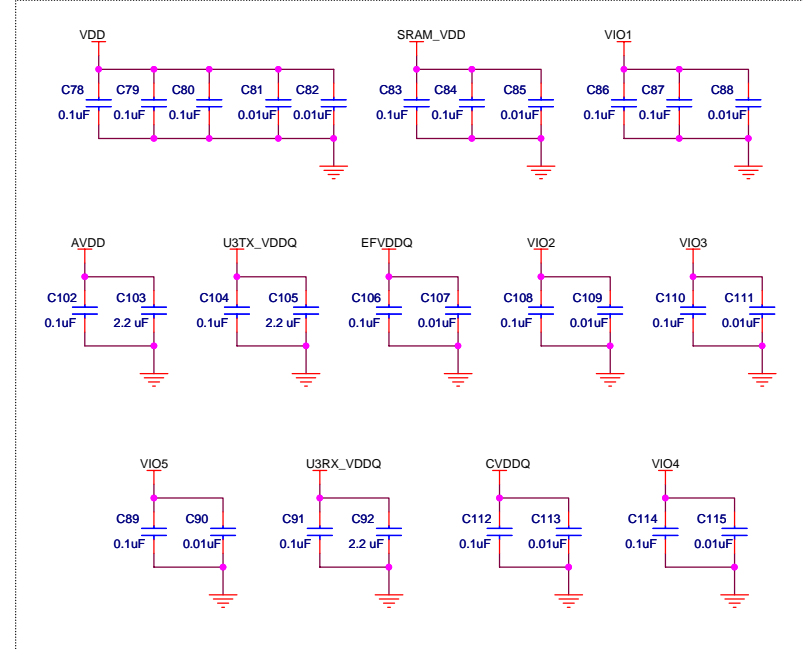
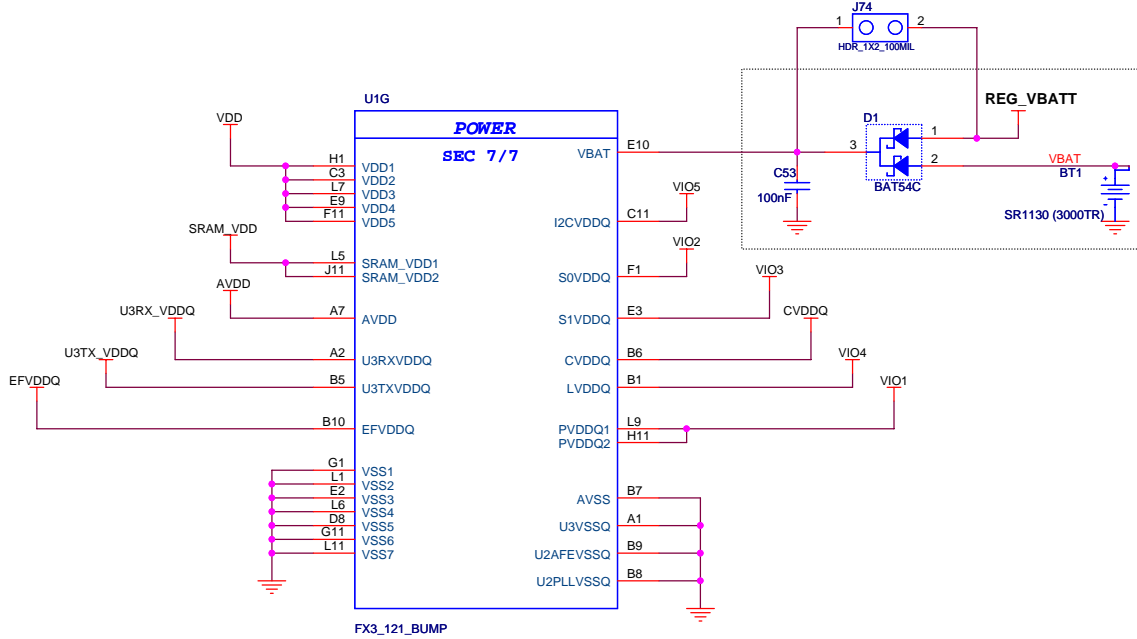
PART\_NUMBER = CMS1811-010010  
Manufacturer = HOSIDEN  
USB\_3

CUSTOMER SUPPLIED



Title		
FX3 DVK DEVICE BOARD		
Size B	Document Number	Rev
	305-PD-11-XXXX	2.0
Date:	Monday, May 16, 2011	Sheet 9 of 14

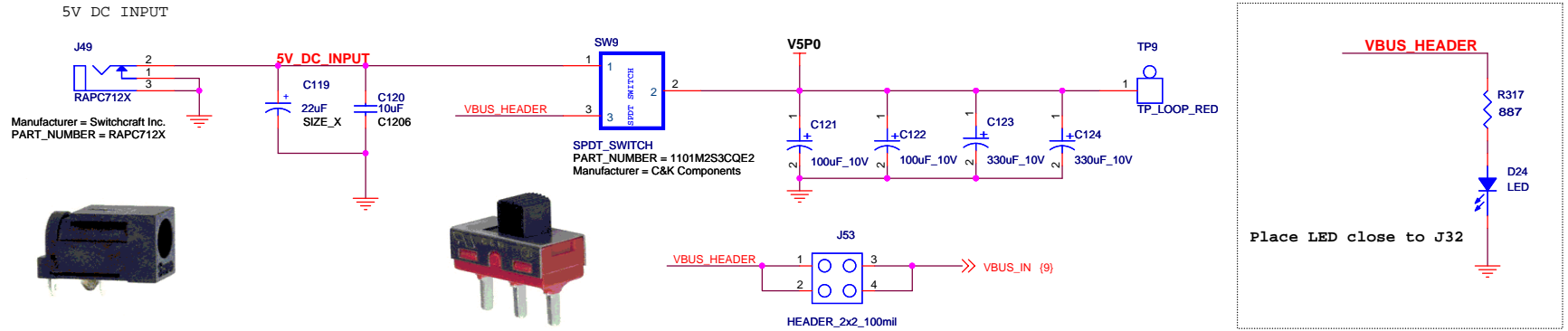
# FX3 POWER & DECOUPLING



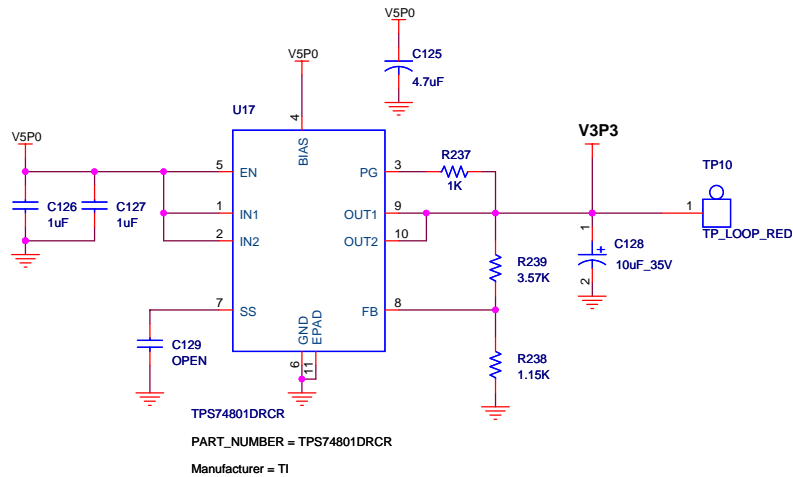
**GND LOOP TEST POINTS**

<b>Title</b>		
FX3 DVK DEVICE BOARD		
<b>Size</b>	<b>Document Number</b>	<b>Rev</b>
B	305-PD-11-XXXX	2.0
<b>Date:</b>	Monday, May 16, 2011	<b>Sheet</b> 10 <b>of</b> 14

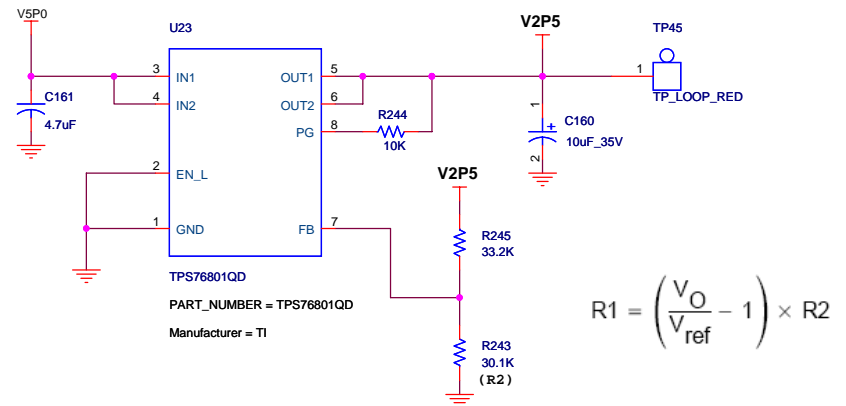
# 5V - DC INPUT POWER



# 3.3V @ 1.5A REGULATOR

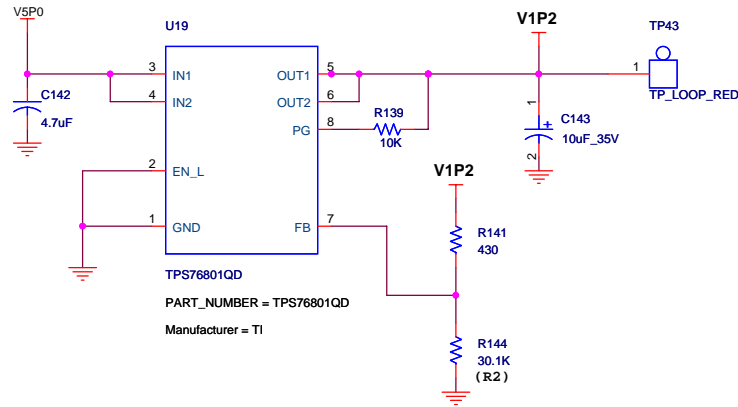


# 2.5V @ 1A REGULATOR

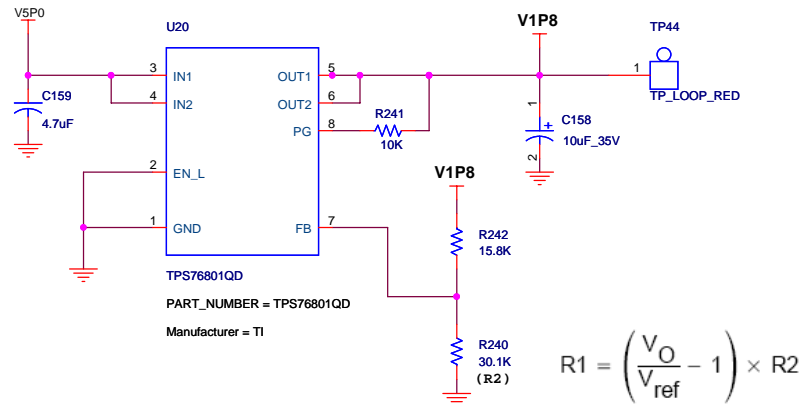


Title		
FX3 DVK DEVICE BOARD		
Size B	Document Number	Rev
	305-PD-11-XXXX	2.0
Date:	Monday, May 16, 2011	Sheet 11 of 14

## 1.2V @ 1A REGULATOR

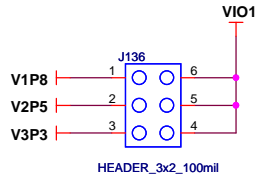


## 1.8V @ 1A REGULATOR

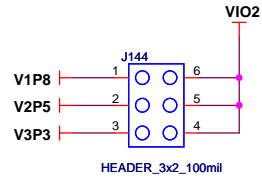


Title		
FX3 DVK DEVICE BOARD		
Size B	Document Number	Rev
	305-PD-11-XXXX	2.0
Date:	Monday, May 16, 2011	Sheet 12 of 14

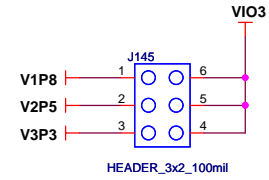
### VIO1



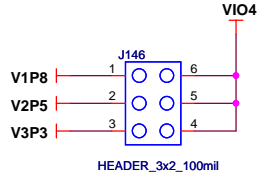
### VIO2



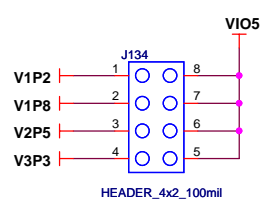
### VIO3



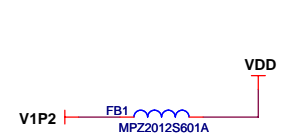
### VIO4



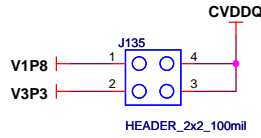
### VIO5



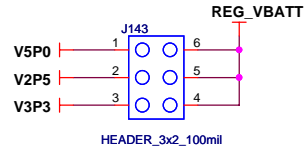
### VDD



### CVDDQ



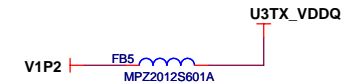
### REG\_VBATT



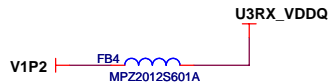
### AVDD



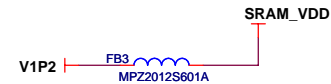
### U3TX\_VDDQ



### U3RX\_VDDQ



### SRAM\_VDDQ

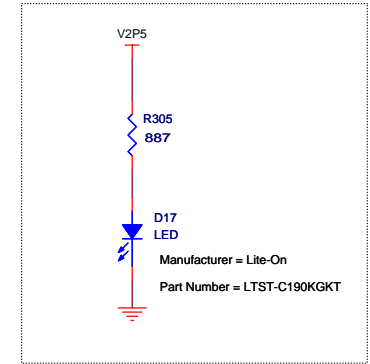
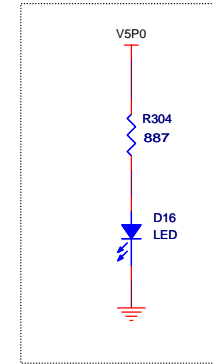
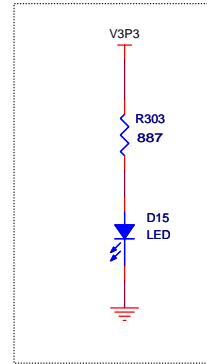
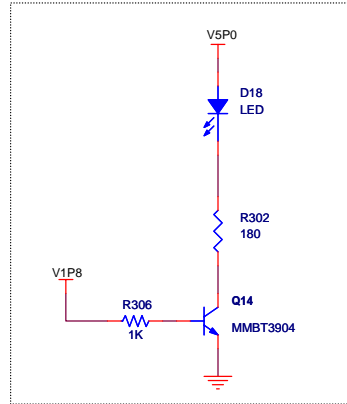
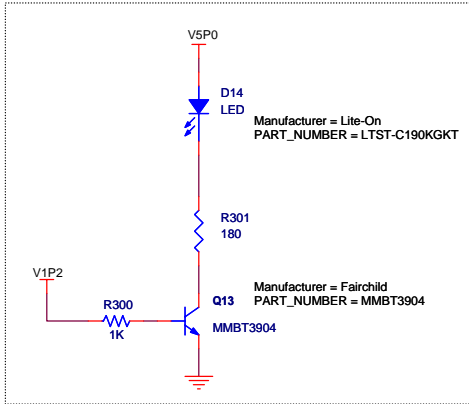


### EFVDDQ



Title		
FX3 DVK DEVICE BOARD		
Size B	Document Number	Rev
	305-PD-11-XXXX	2.0
Date:	Monday, May 16, 2011	Sheet 13 of 14

# POWER LED



Title		
FX3 DVK DEVICE BOARD		
Size B	Document Number	Rev
	305-PD-11-XXXX	2.0
Date:	Monday, May 16, 2011	Sheet 14 of 14