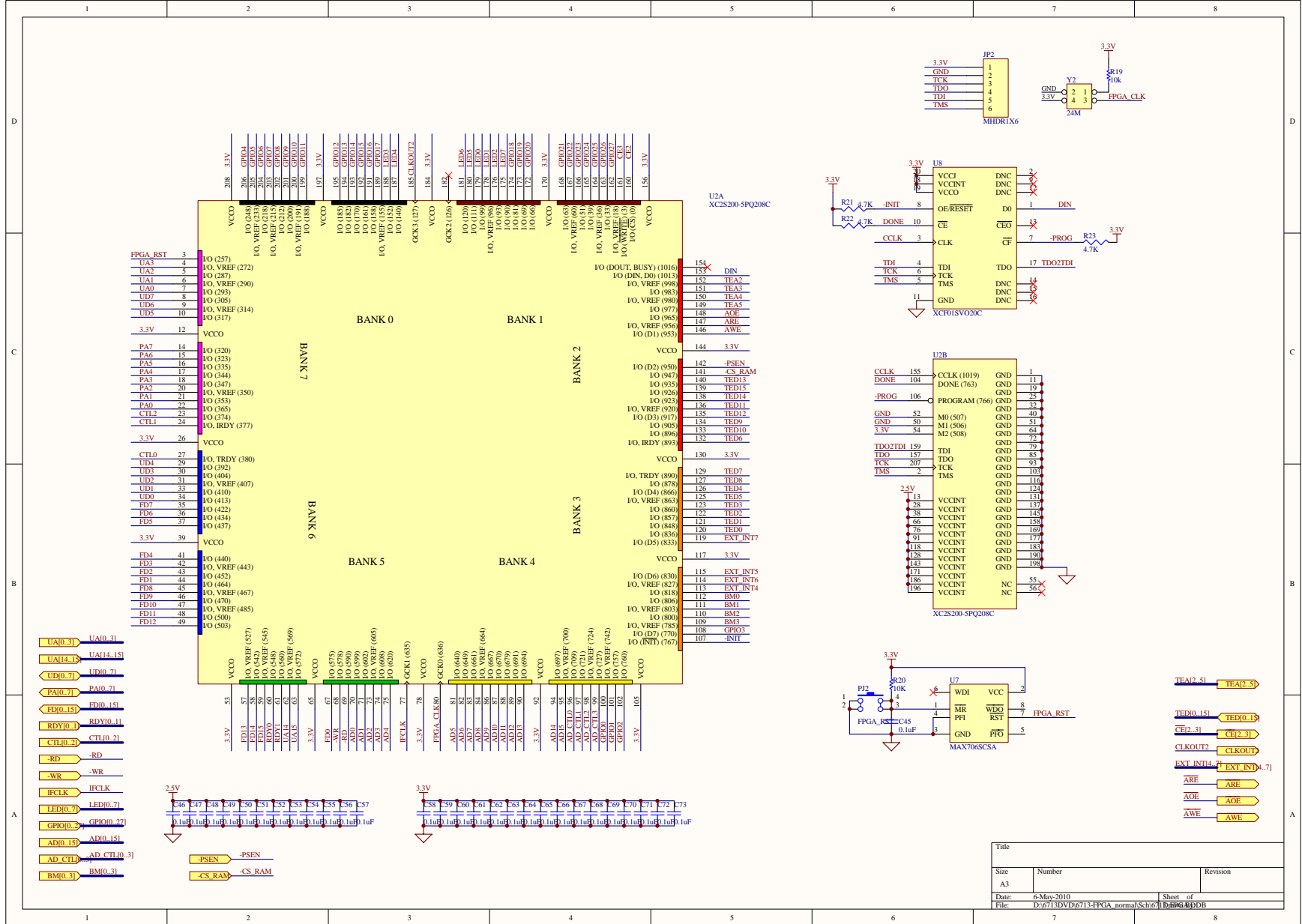
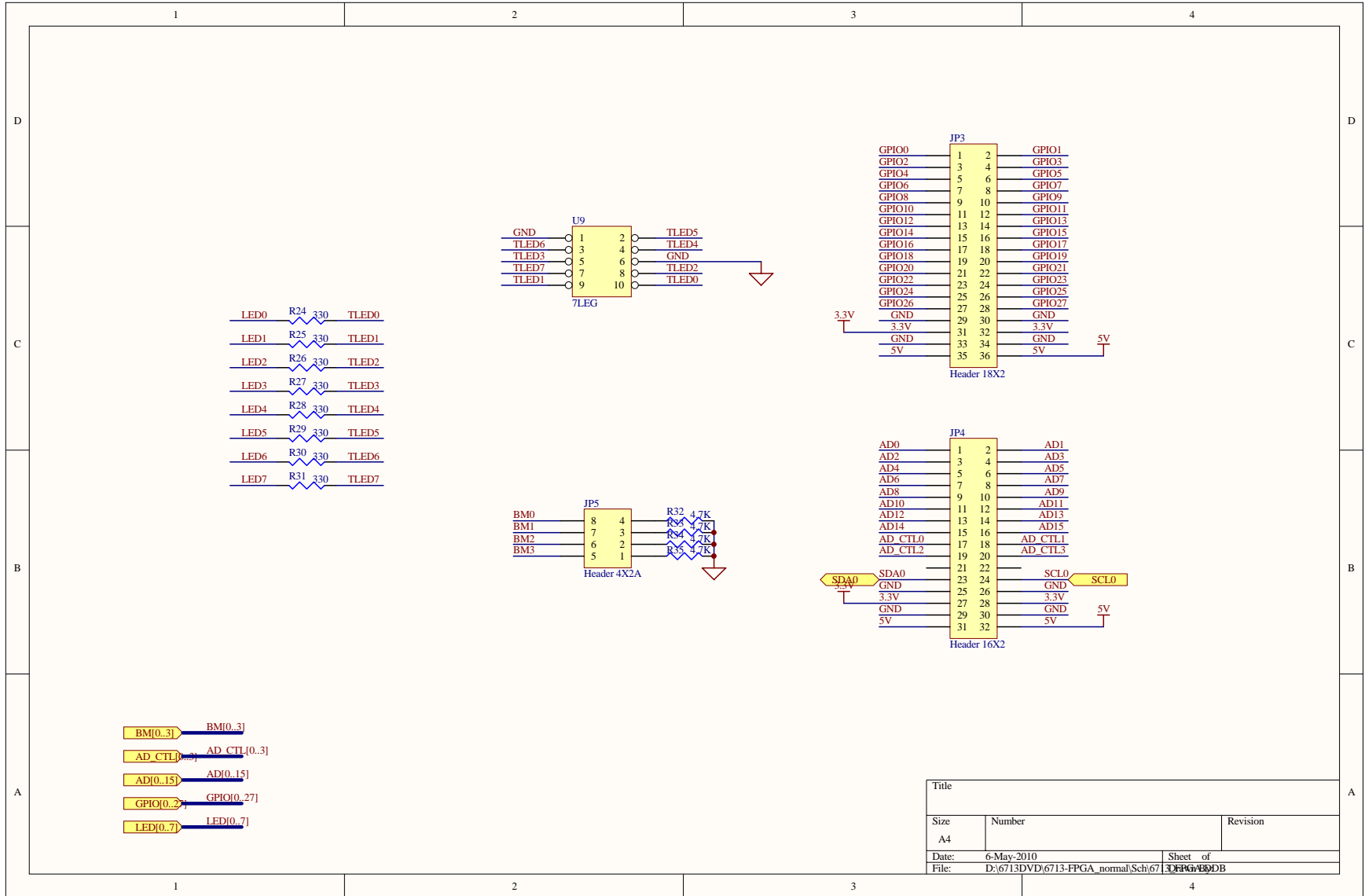


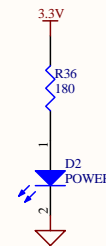
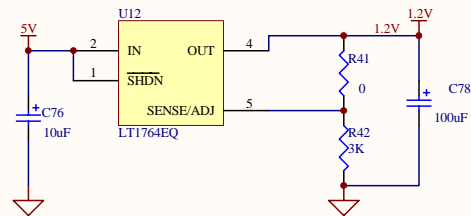
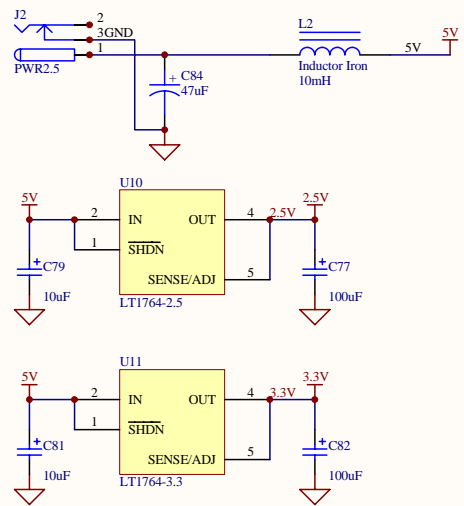
Title		
Size	Number	Revision
A4		
Date:	6-May-2010	Sheet of
File:	D:\6713DVD\6713-FPGA_normal\Sch\6713-FPGA-SDB	3 of 4



Title		
Size	Number	Revision
A3		
Date:	6-May-2010	Sheet of
File:	D:\6713DVD\6713-FPGA_normal\Sch\6713-D0166-B00DB	

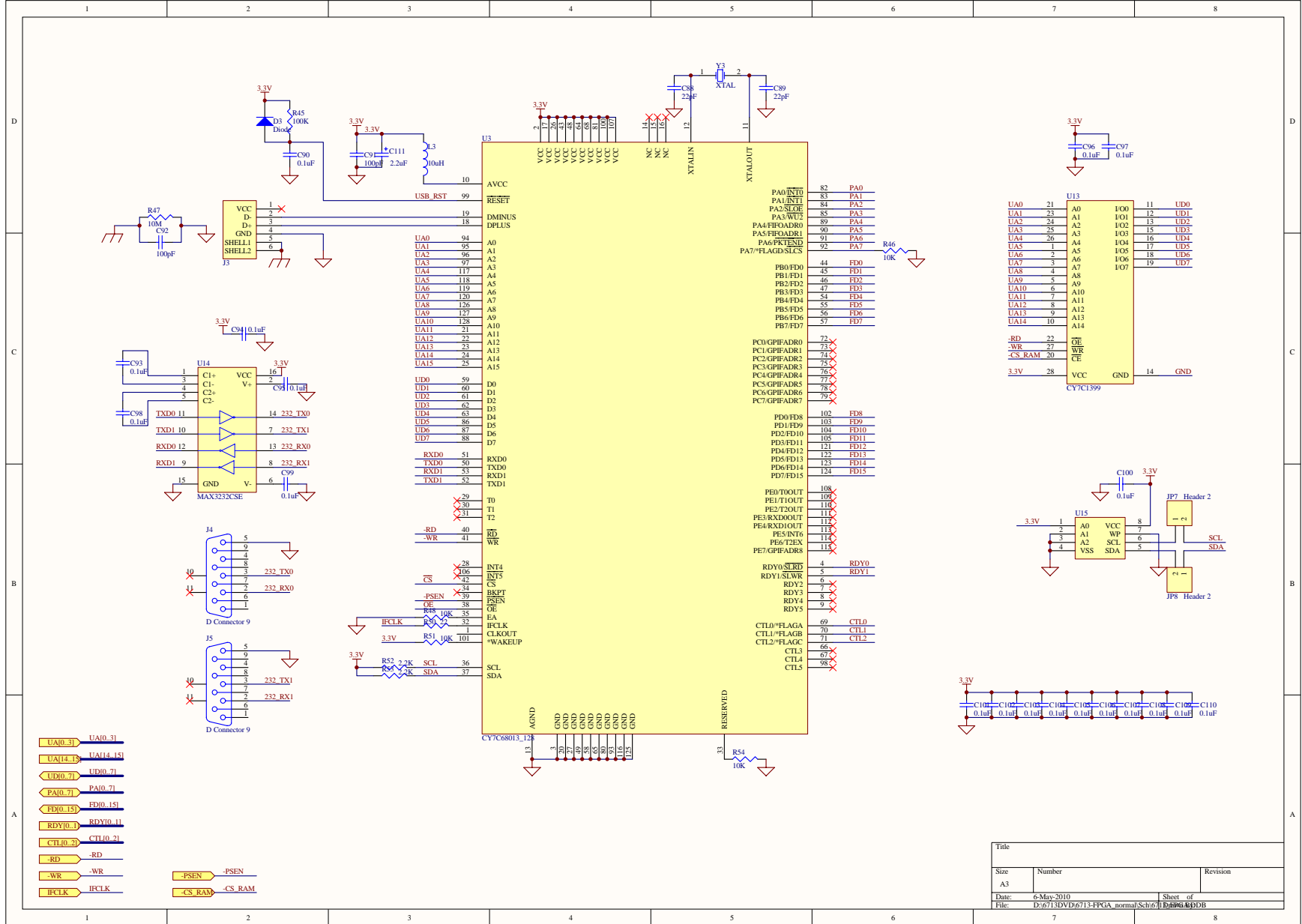


Title		
Size	Number	Revision
A4		
Date:	6-May-2010	Sheet of
File:	D:\6713DVD\6713-FPGA_normal\Sch\6713-FPGA-BDB	3 of 4



勘误，U10的2脚应该接5V

Title		
Size A4	Number	Revision
Date: 6-May-2010	Sheet of	
File: D:\6713DVD\6713-FPGA_normal\Sch\6713-FPGA-DB	3 of 4	



Title		
Size	Number	Revision
A3		
Date:	6-May-2010	Sheet of
File:	D:\6713DVD\6713-FPGA_normal\Sch\6713DVB68013.DDB	