

Nuvoton

8051 ISP Programmer

User Manual

Revision 5.31, 2011/04/08

Contents

Revision History 3

1 Introduction 4

2 Hardware..... 5

 2.1 Type-1 Connection (No I/O Pins Used for Booting from LDROM)6

 2.2 Type-2 Connection (P2.6 & P2.7 Used for Booting from LDROM)7

 2.3 Type-3 Connection (P4.3 Used for Booting from LDROM)8

 2.4 Type-4 Connection (P3.6 & P3.7 Used for Booting from LDROM)9

 2.5 Type-5 Connection (P4.0 Used for Booting from LDROM)10

 2.6 Type-6 Connection (P4.7 Used for Booting from LDROM)11

 2.7 Requirement on the XTAL Frequency12

3 Software 13

 3.1 Install the Driver 13

 3.2 Install the Application Program 13

 3.2.1 Main GUI for the Application Program13

 3.2.2 GUI for ‘CONFIG Setting’14

 3.2.3 GUI for ‘Programmer Information’15

 3.3 Auto Synchronization of APROM/DataFlash Buffer 16

 3.4 Tool Project File (TPJ) 17

4 Operation Modes..... 18

 4.1 On-line Mode..... 18

 4.2 Download Programmer Mode 18

 4.3 Off-line Mode..... 19

5 Reset Control 20

 5.1 With Reset Control 21

 5.2 Without Reset Control 21

6 Notes for the ISP Function 22

 6.1 Requirement on P3.1 22

 6.2 About the ISP Code 22

 6.3 Compared with the ‘ICP’ 23

Revision History

| Revision | Description | Date |
|----------|---|------------|
| v1.00 | The first formal released version. | 2009/07/08 |
| v2.00 | (1) Re-organize the function buttons on the GUI. The function of "Auto" is combined with "Update 8051". (2) The data in Code Buffer are refreshed when the button "Update 8051" or "Verify 8051" is clicked. | 2009/09/03 |
| v2.01 | (1) Update the picture of the ISP Programmer. (Section 1) (2) Change the display of part numbers W78E051D, W78E052D and W78E054D to W78E(I)051D, W78E(I)052D and W78E(I)054D, respectively. (3) Fix a minor bug in <i>Nuvoton standard ISP code</i> . (The ISP code version is changed to v0201.) | 2009/09/22 |
| v3.00 | Add new parts: W925EP01, N78E366A, N78E055A, N78E059A and N78E517A | 2010/02/10 |
| v4.00 | Update the PC-site AP version to v4.00. | 2010/04/01 |
| v4.01 | (1) Fix a minor bug in <i>Nuvoton standard ISP code</i> for W925EP01, N78E366A, N78E055A, N78E059A and N78E517A. (The ISP code version is updated to v3.12.) (2) Update the PC-site AP version to v4.01. | 2010/06/15 |
| v5.00 | (1) Improve data security of the <i>Nuvoton standard ISP code</i> for N78E366A, N78E055A, N78E059A and N78E517A. (The ISP code version is updated to v3.13.) (2) Update the connection diagrams of Type-1~6. (Section 2.1~2.6) (3) Add new sections. (Section 2.7, Section 6.2 and Section 6.3) (4) Update the PC-site AP to v5.00. (The GUI display for "CONFIG Setting" becomes more user-friendly.) | 2010/08/13 |
| v5.02 | (1) Fix the HEX-to-BIN conversion error when the hex input file has a binary code size more than 64K. (The application program is updated to v5.02.) (2) Modify all the ISP codes to prevent from hanging in LDROM during powered on in an RS-485 application. (The ISP code version is updated to v3.20.) | 2010/11/15 |
| v5.05 | (1) Support Tool Project (TPJ) file for management of GUI setting. (2) Fix the ISP code bug when using 3.6864MHz XTAL for 'ISP by COM Port' function. (The ISP code version is updated to v3.21.) | 2011/01/18 |
| v5.31 | (1) Fix some software bugs. (2) The ISP code version is updated to v3.23. | 2011/04/08 |
| | | |
| | | |
| | | |
| | | |
| | | |

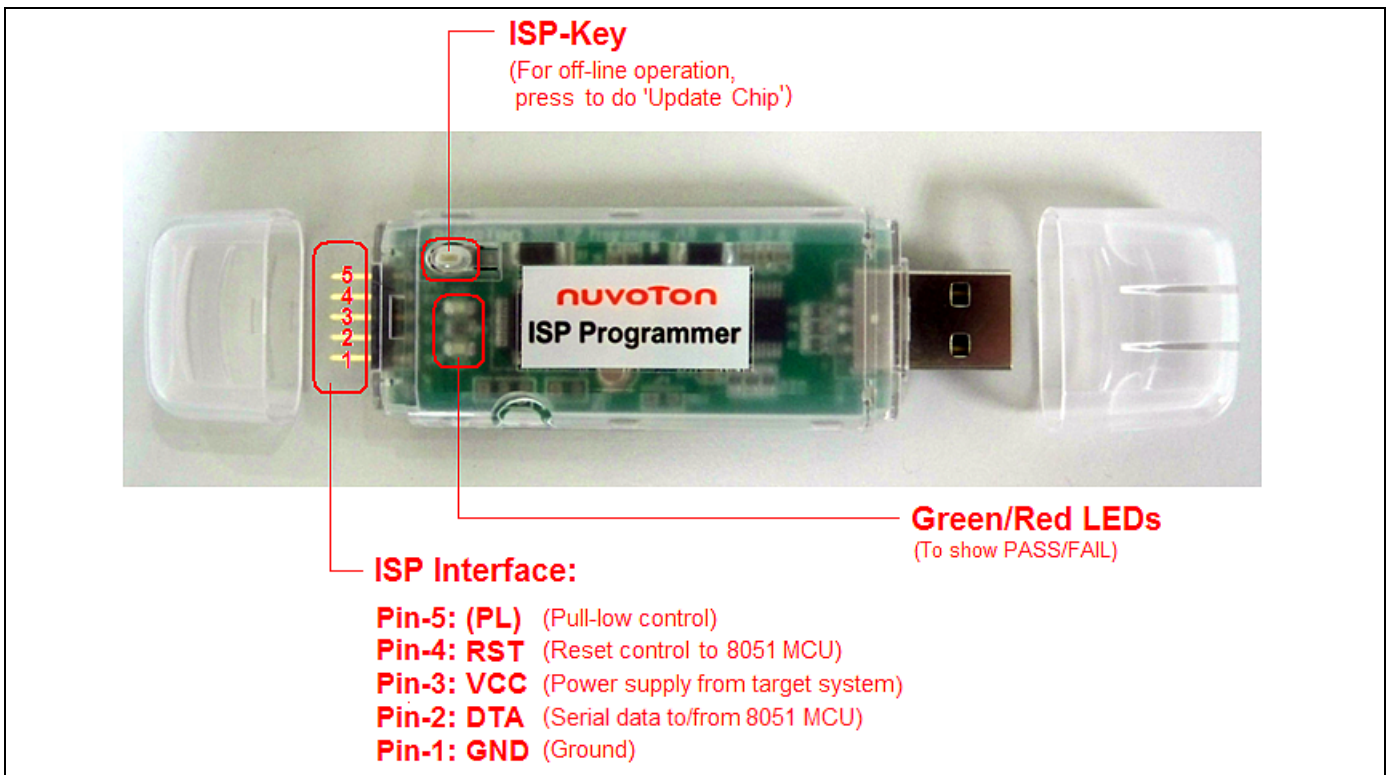
1 Introduction

ISP is the acronym of **In-System Programming**, which makes it possible that the user can update the MCU's program memory under the software control without removing the mounted MCU chip from the actual end product. The USB-stick-like tool "8051 ISP Programmer", as shown in the following picture, is used to perform the ISP function when the MCU's LDROM is pre-programmed with the *Nuvoton Standard ISP Code* and CONFIG bits are properly configured. In addition, since this tool can save the programming data downloaded from the host, it is able to perform the off-line operation. This feature is especially useful in the field without a host PC.

Note:

The ISP function can work only when the ISP code has resided in MCU's LDROM. To let users easily use the ISP function, some of the 8051 MCU products have the "Nuvoton Standard ISP Code" pre-programmed in LDROM and CONFIG bits properly configured before shipping. Please contact Nuvoton for detailed product information. (The "Nuvoton Standard ISP Code" is also included in the folder [(4) Nuvoton Standard ISP Code]. The user may program it by himself using a universal programmer.)

Picture of the "8051 ISP Programmer"



The ISP Interface

PL: Pull-low control.

Some 8051 MCU parts need its special I/O pins to be tied to ground to boot from LDROM for ISP operation. Using pull-low control can release these I/O pins for their normal function. In other words, these pins needn't be tied to ground in the target system but pulled low by the ISP Programmer for ISP operation.

RST: Reset control to the 8051 MCU.

The ISP Programmer will send reset signal to control the 8051 MCU for ISP operation.

VCC: Power supply from the target system. In off-line operation, the Programmer is powered by the target system.

DTA: Serial data to/from the 8051 MCU. (*Single-wire Communication Interface*)

GND: Ground.

2 Hardware

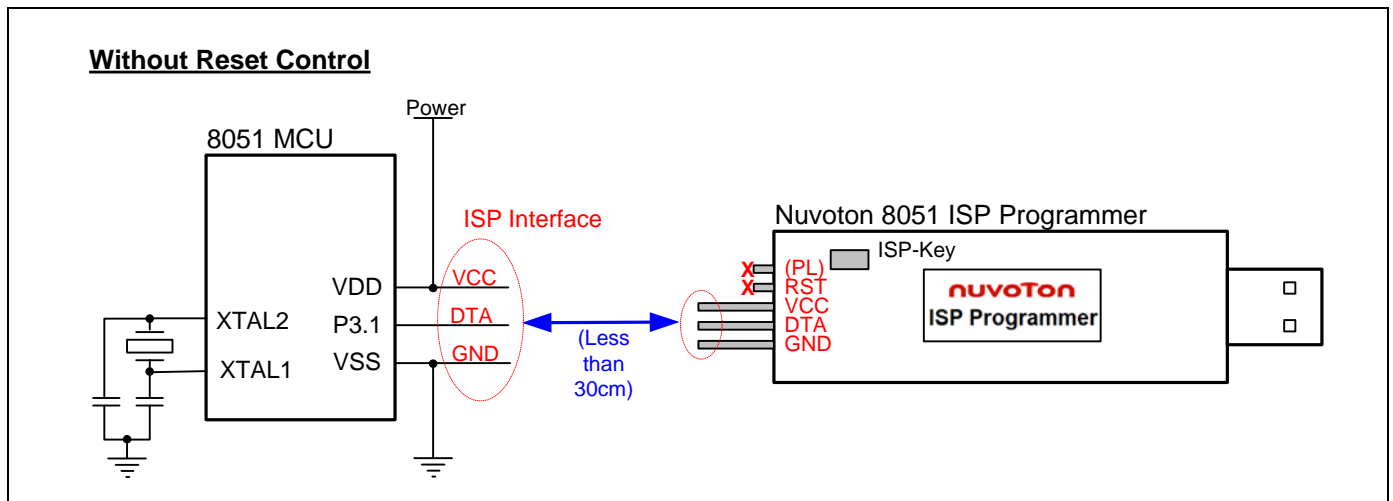
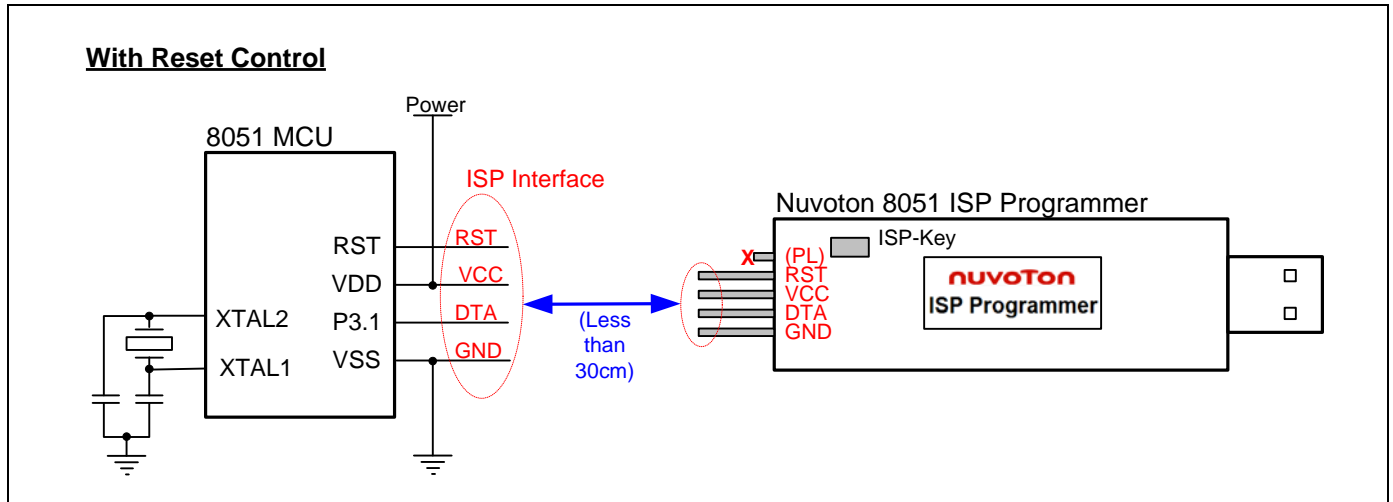
According to the I/O pins used for booting from LDROM after reset, there are several connection types between the 8051 MCU and the ISP Programmer, as shown in the following table. Some parts don't need any I/O pins, but need CONFIG to be properly configured, such as W78E(I)051D, W78E(I)052D and W78E(I)054D. Some parts need only I/O pins, such as W78E(I)058D, W78E(I)516D, etc. Some parts need not only I/O pins but also CONFIG properly configured, such as W78E(I)RD2A, W77E(L)516A, etc. The following sub-sections will show the connection diagrams for these connection types.

I/O Pins and CONFIG Bit for Booting from LDROM after Reset

| Part No. | I/O Pins Tied to Ground for Booting from LDROM | CONFIG Setting for Booting from LDROM | Connection Type |
|---|--|---------------------------------------|-----------------|
| W78E(I)051D W78E(I)052D W78E(I)054D | (Not Need) | “CBS” Selected as LDROM | Type-1 |
| W78E(I)058D W78E(I)516D W78E(L)365A W78E065A W78E858A | P2.6 & P2.7 (for 40-pin package) | (Not Need) | Type-2 |
| | P4.3 (for 44-pin package) | (Not Need) | Type-3 |
| W78E(I)RD2A W77E(L)516A W77E(L)532A W79E(L)632A W79E(L)633A W79E(L)648A W79E(L)649A W79E(L)658A W79E(L)659A | P2.6 & P2.7 (for 40-pin package) | “Reboot P2.6/P2.7” Enabled | Type-2 |
| | P4.3 (for 44/68/100-pin package) | “Reboot P4.3” Enabled | Type-3 |
| W79E217A W79E225A W79E226A W79E227A | P3.6 & P3.7 (for 44-pin package) | “Reboot P3.6/P3.7” Enabled | Type-4 |
| | P4.3 (for 48/100-pin package) | “Reboot P4.3” Enabled | Type-3 |
| W79E201A | P4.0 | “Reboot P4.0” Enabled | Type-5 |
| W925EP01 | P4.7 | “Reboot P4.7” Enabled | Type-6 |
| N78E366A N78E055A N78E059A N78E517A | (Not Need) | “CBS” Selected as LDROM | Type-1 |

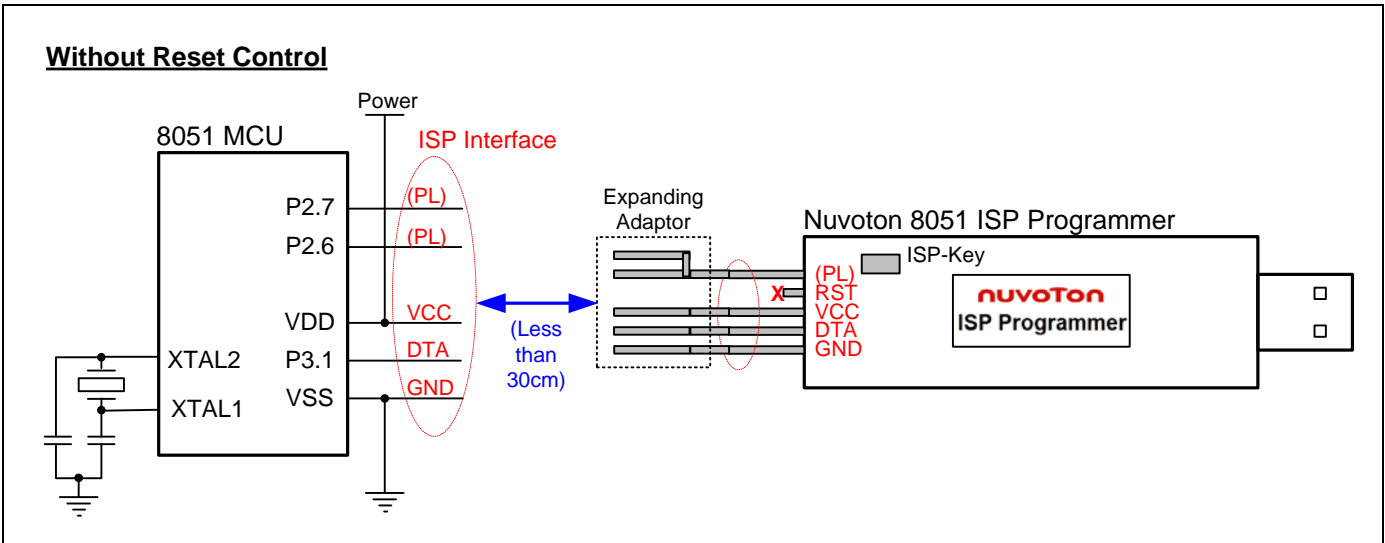
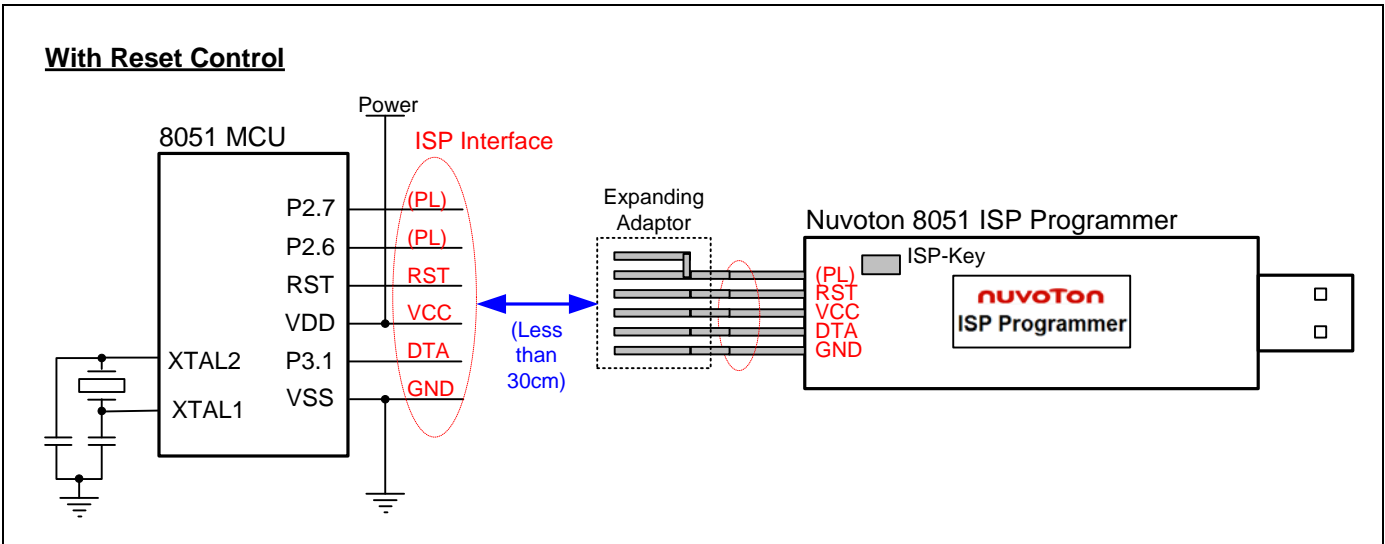
2.1 Type-1 Connection (No I/O Pins Used for Booting from LDROM)

In this type of connection, the PL-pin of the ISP interface is not used. The following figures show the hardware connection for “With Reset Control” and “Without Reset Control” configuration. The former is adopted when the 8051 MCU’s RST-pin **can** be controlled by the ISP Programmer; the latter is adopted when the 8051 MCU’s RST-pin **cannot** be controlled by the ISP Programmer. Refer to [Section 5: Reset Control](#).



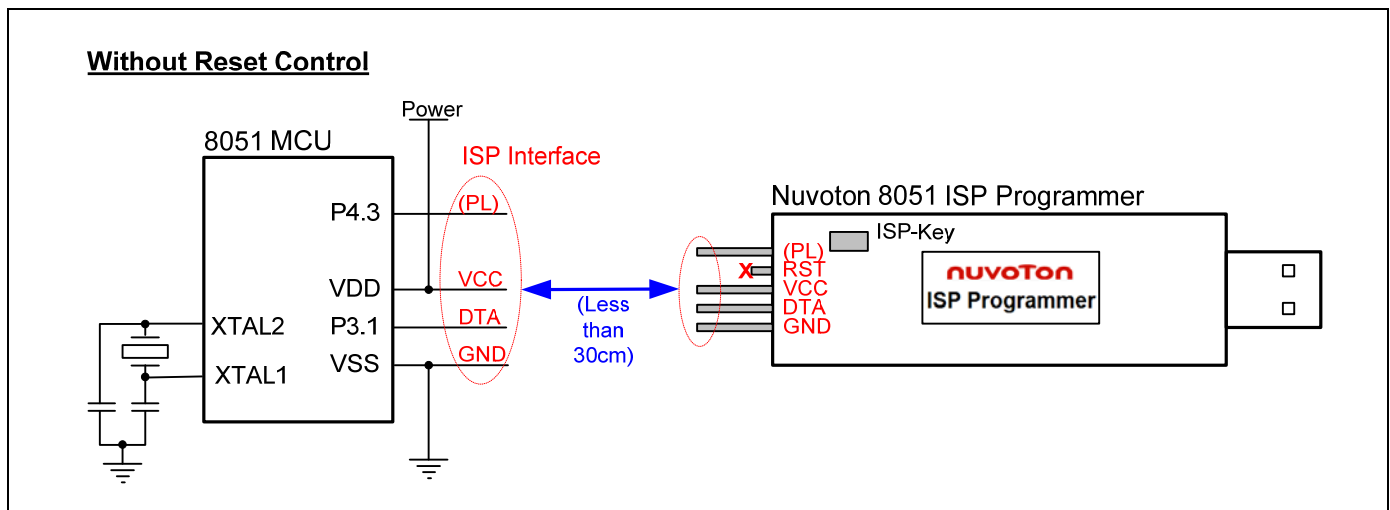
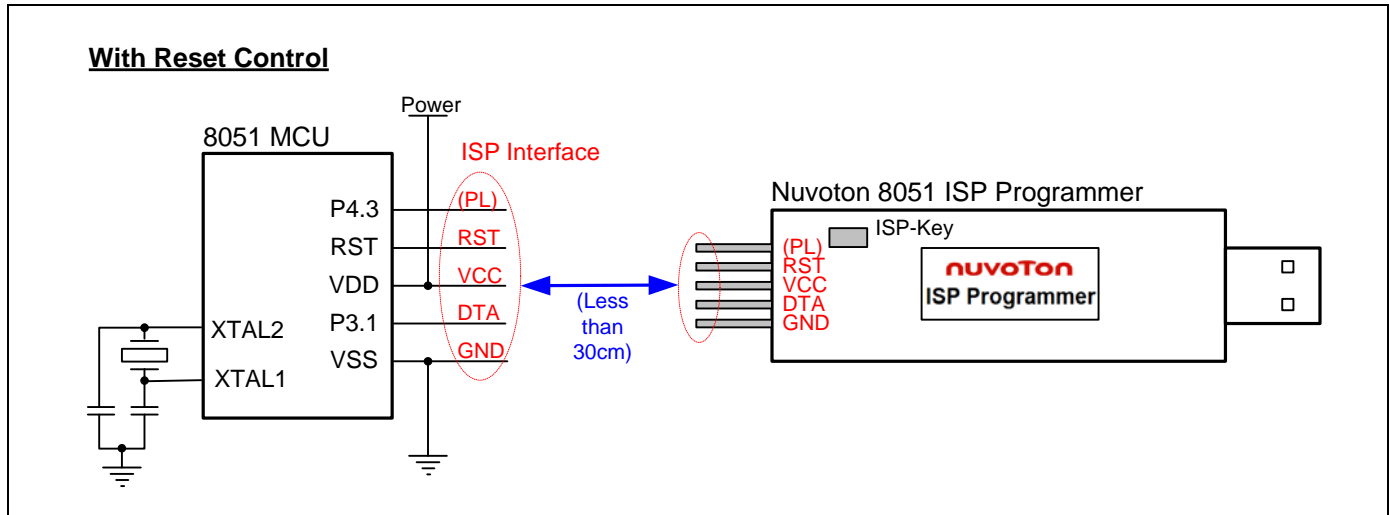
2.2 Type-2 Connection (P2.6 & P2.7 Used for Booting from LDROM)

In this type of connection, P2.6 and P2.7 are to be pulled low to let the 8051 MCU boot from LDROM after hardware reset. The PL-pin in the ISP interface can automatically pull low P2.6 and P2.7 when the ISP Programmer is connected to the 8051 MCU. So, the user needn't always pull low P2.6 and P2.7 in the target system. The following figures show the hardware connection for "With Reset Control" and "Without Reset Control" configuration. The former is adopted when the 8051 MCU's RST-pin **can** be controlled by the ISP Programmer; the latter is adopted when the 8051 MCU's RST-pin **cannot** be controlled by the ISP Programmer. Refer to [Section 5: Reset Control](#).



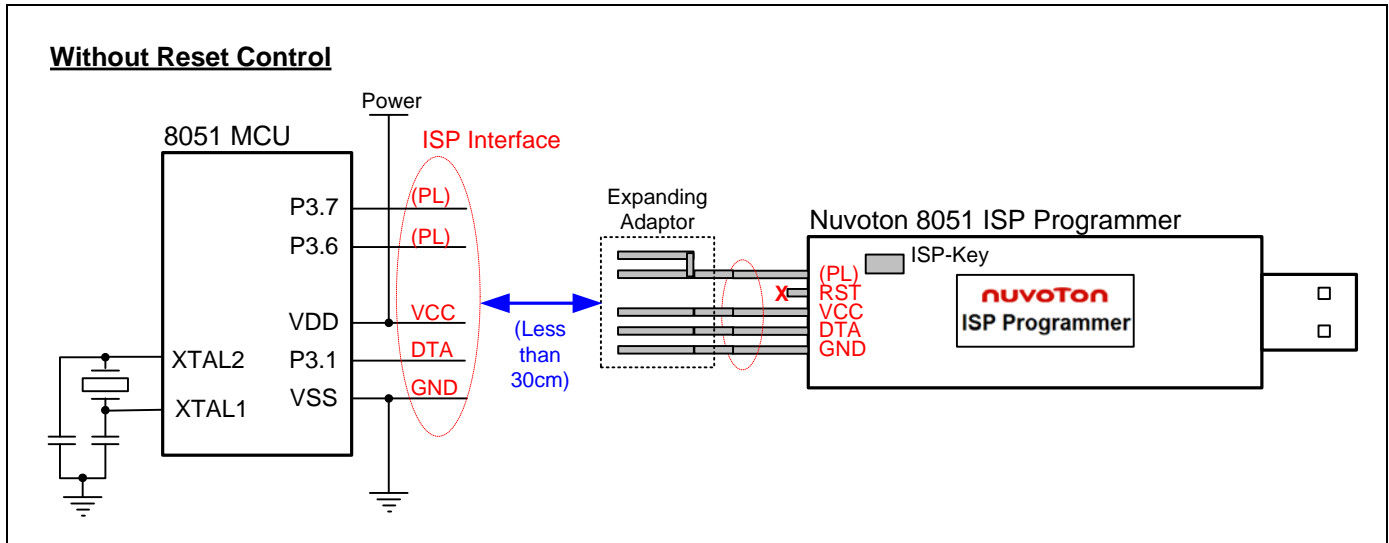
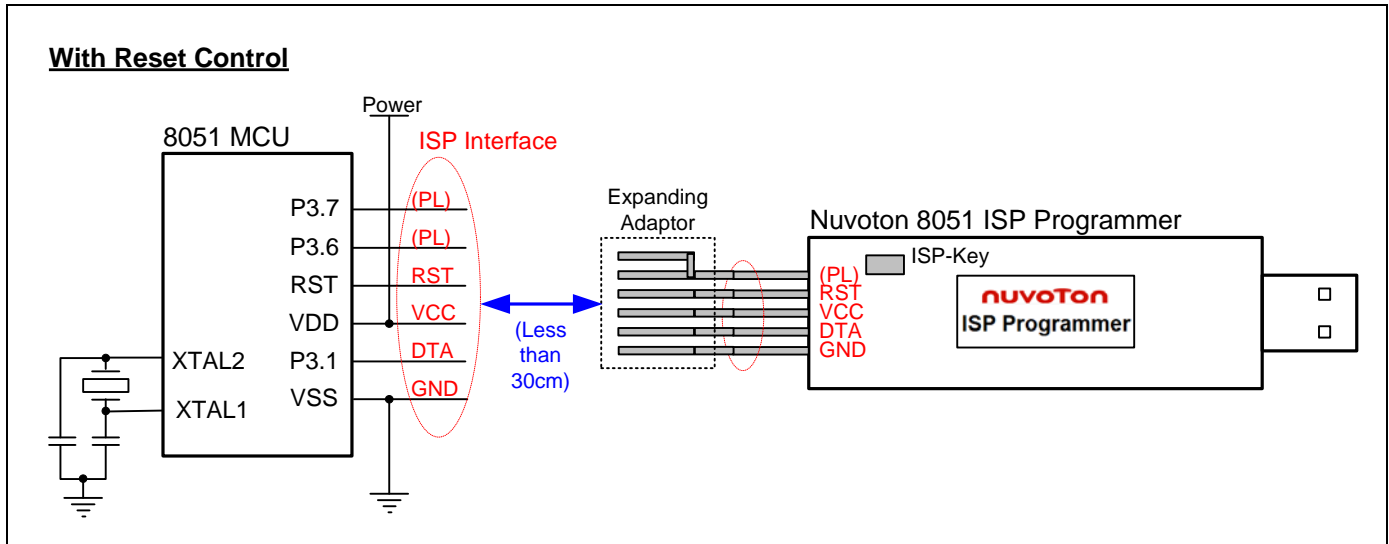
2.3 Type-3 Connection (P4.3 Used for Booting from LDROM)

In this type of connection, P4.3 is to be pulled low to let the 8051 MCU boot from LDROM after hardware reset. The PL-pin in the ISP interface can automatically pull low P4.3 when the ISP Programmer is connected to the 8051 MCU. So, the user needn't always pull low P4.3 in the target system. The following figures show the hardware connection for "With Reset Control" and "Without Reset Control" configuration. The former is adopted when the 8051 MCU's RST-pin **can** be controlled by the ISP Programmer; the latter is adopted when the 8051 MCU's RST-pin **cannot** be controlled by the ISP Programmer. Refer to [Section 5: Reset Control](#).



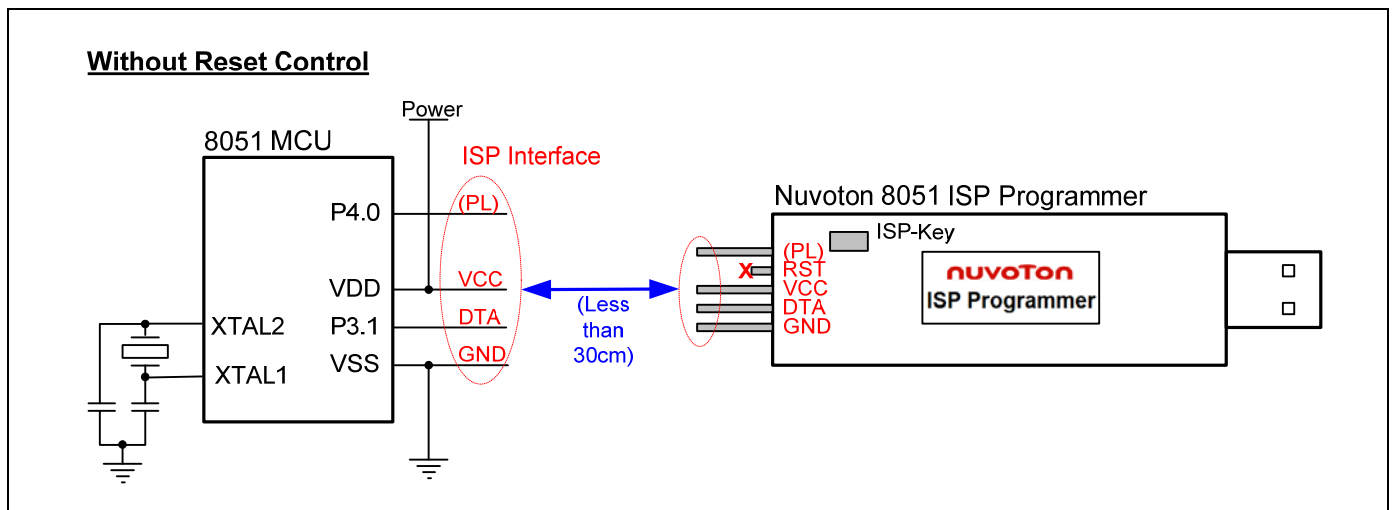
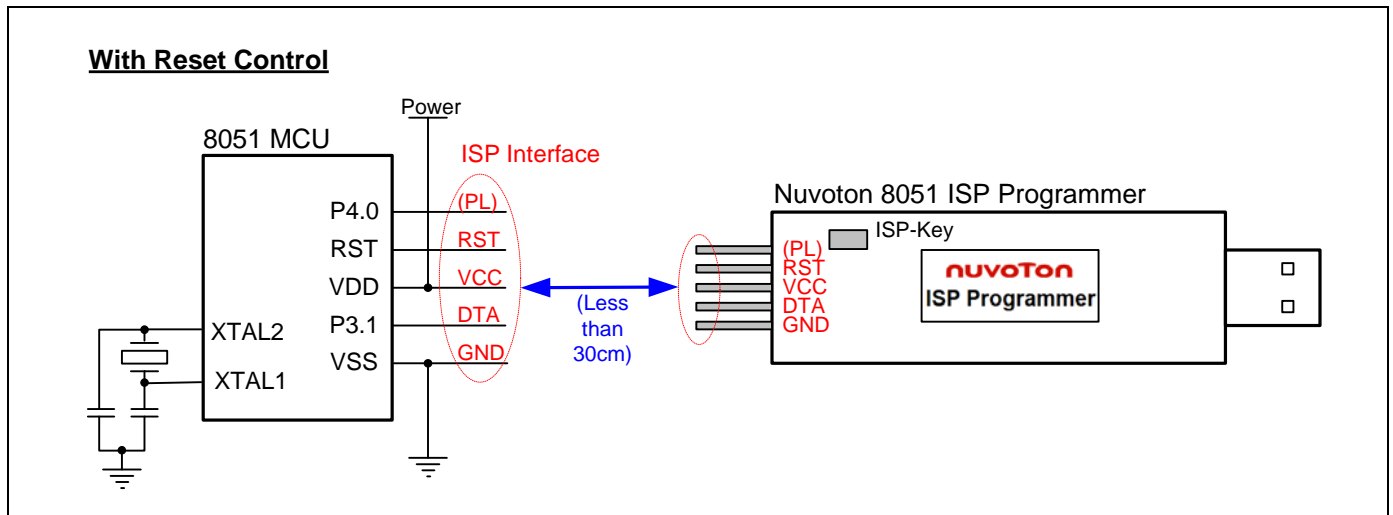
2.4 Type-4 Connection (P3.6 & P3.7 Used for Booting from LDR0M)

In this type of connection, P3.6 and P3.7 are to be pulled low to let the 8051 MCU boot from LDR0M after hardware reset. The PL-pin in the ISP interface can automatically pull low P3.6 and P3.7 when the ISP Programmer is connected to the 8051 MCU. So, the user needn't always pull low P3.6 and P3.7 in the target system. The following figures show the hardware connection for "With Reset Control" and "Without Reset Control" configuration. The former is adopted when the 8051 MCU's RST-pin *can* be controlled by the ISP Programmer; the latter is adopted when the 8051 MCU's RST-pin *cannot* be controlled by the ISP Programmer. Refer to [Section 5: Reset Control](#).



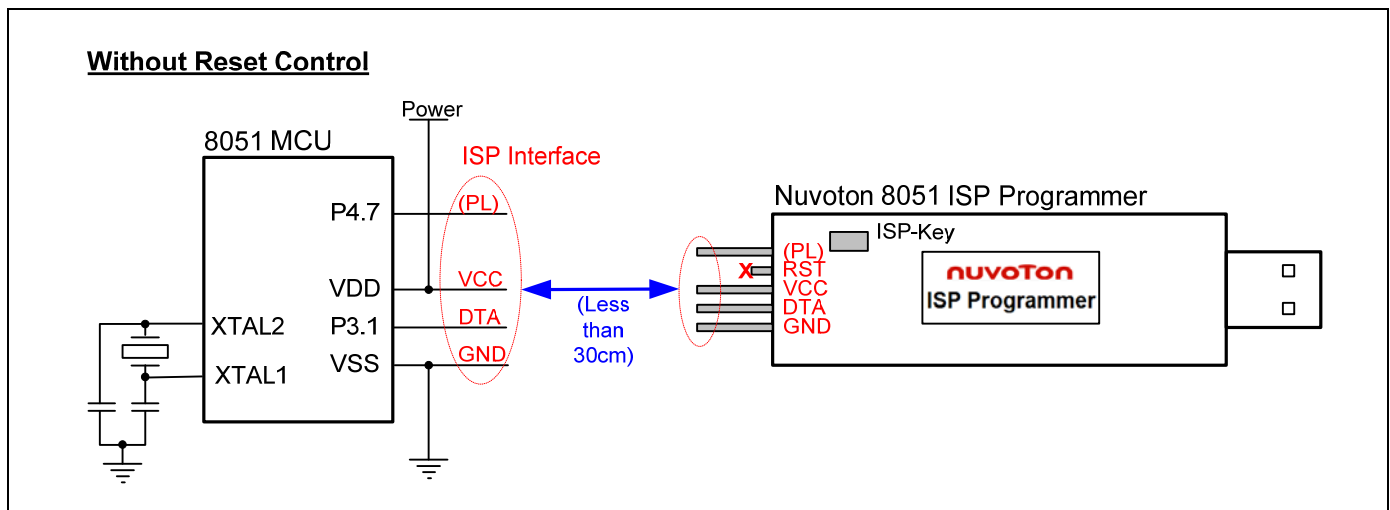
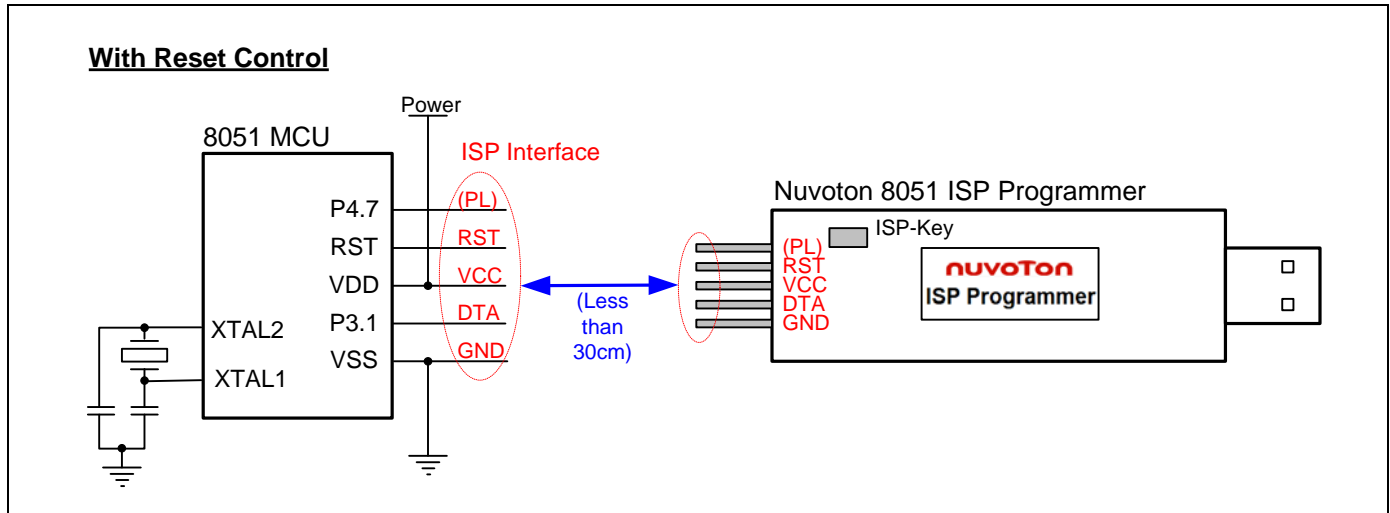
2.5 Type-5 Connection (P4.0 Used for Booting from LDROM)

In this type of connection, P4.0 is to be pulled low to let the 8051 MCU boot from LDROM after hardware reset. The PL-pin in the ISP interface can automatically pull low P4.0 when the ISP Programmer is connected to the 8051 MCU. So, the user needn't always pull low P4.0 in the target system. The following figures show the hardware connection for "With Reset Control" and "Without Reset Control" configuration. The former is adopted when the 8051 MCU's RST-pin **can** be controlled by the ISP Programmer; the latter is adopted when the 8051 MCU's RST-pin **cannot** be controlled by the ISP Programmer. Refer to [Section 5: Reset Control](#).



2.6 Type-6 Connection (P4.7 Used for Booting from LDROM)

In this type of connection, P4.7 is to be pulled low to let the 8051 MCU boot from LDROM after hardware reset. The PL-pin in the ISP interface can automatically pull low P4.7 when the ISP Programmer is connected to the 8051 MCU. So, the user needn't always pull low P4.7 in the target system. The following figures show the hardware connection for "With Reset Control" and "Without Reset Control" configuration. The former is adopted when the 8051 MCU's RST-pin **can** be controlled by the ISP Programmer; the latter is adopted when the 8051 MCU's RST-pin **cannot** be controlled by the ISP Programmer. Refer to [Section 5: Reset Control](#).



2.7 Requirement on the XTAL Frequency

There is not any restriction on the XTAL frequency for ISP operation. All frequencies between 2MHz and 40MHz are acceptable. The MCU will automatically build a proper transmission rate to communicate with the ISP Programmer during ISP operation.

3 Software

3.1 Install the Driver

This ISP Programmer has the USB-to-Serial bridge chip (PL-2303) built inside. When connected to host, it will appear as a *USB-to-Serial COM port* in the System\Hardware\Device Manager. Before starting to use this programmer, the user needs to install the driver in the host if the PL-2303 driver has never been installed in this host. The user can also find this driver in the folder [(1) Driver].

Note: Don't plug the ISP Programmer to the host before the driver is installed.

3.2 Install the Application Program

The application program setup file is contained in the folder [(2) Application Program]. Using the default installation setting, you will find the item "Nuvoton Tools \ Nuvoton ISP-ICP Utility, v?..?" appearing in the Windows START-menu after the application program is successfully installed.

Note: ISP-ICP means this application program is designed for both the ISP Programmer and the ICP Programmer.

3.2.1 Main GUI for the Application Program

The screenshot shows the Nuvoton ISP-ICP Utility v5.02 GUI. The interface includes several sections:

- Programmer Type:** Radio buttons for 'ISP' (selected), 'ICP', and 'Gang'.
- Part No.:** A dropdown menu showing '8051 Family' and 'N78E055A'.
- Buttons:** 'Load File', 'Update Chip', 'Download Programmer', 'Verify APROM', 'Read CONFIG', and 'Exit'.
- Items to be Updated:** Checkboxes for 'APROM', 'DataFlash', 'LDROM', and 'CONFIG'.
- Buffers:** Two tabs for 'APROM Buffer' and 'DataFlash Buffer' showing hexadecimal data.
- File Information:** Fields for 'File Name', 'Code Size', and 'Checksum'.
- Processing Status:** A 'Ready...' indicator.
- COM Port:** A dropdown menu showing 'COM12'.

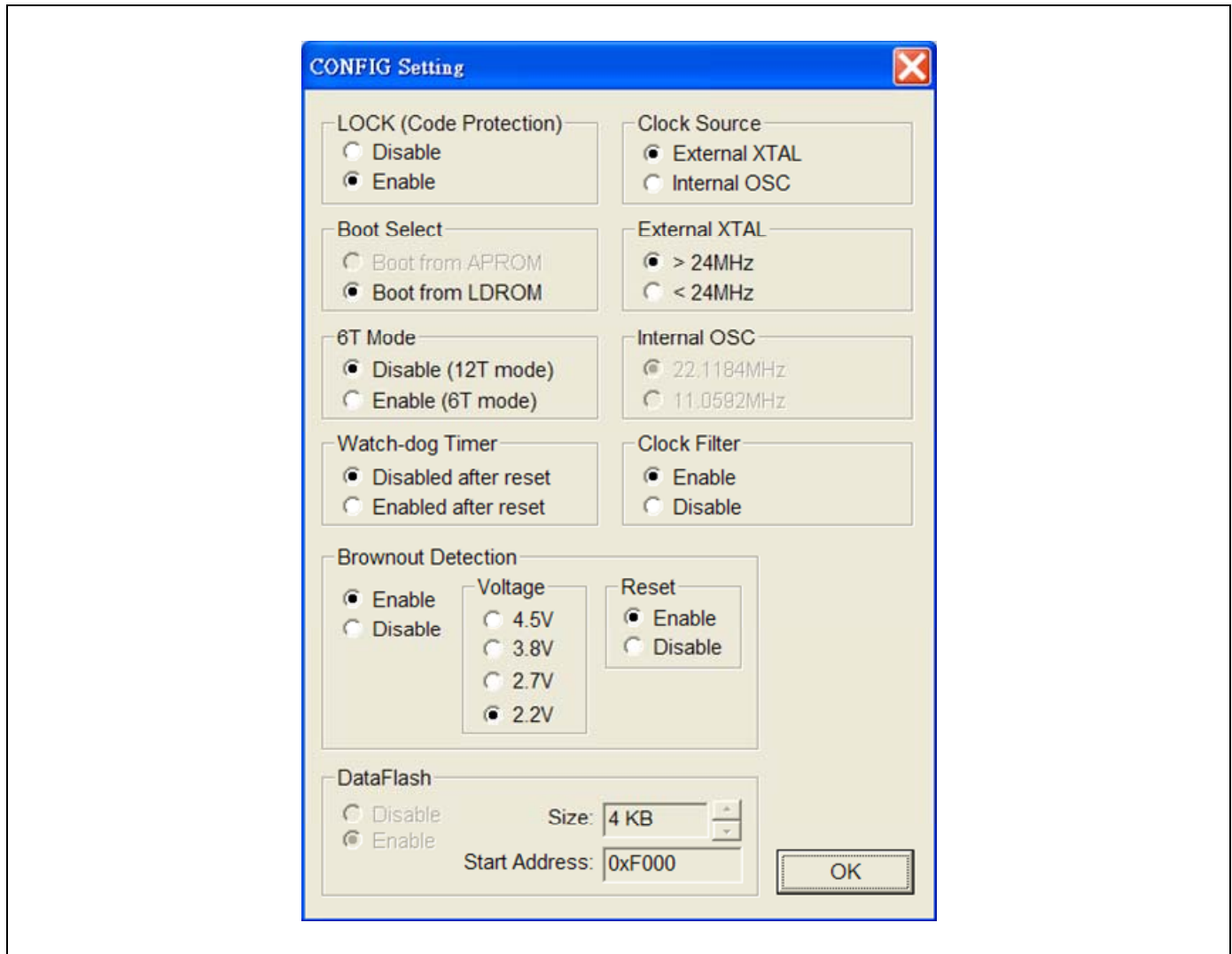
 Red annotations with arrows point to various features:

- 'Select 'ISP' for the ISP Programmer' points to the 'ISP' radio button.
- 'Select wanted Part No.' points to the 'N78E055A' dropdown.
- 'Load file for APROM buffer and DataFlash buffer (See Note)' points to the 'Load File' button.
- 'Two things included: (1) Download Programmer (2) Update the MCU chip' points to the 'Download Programmer' and 'Update Chip' buttons.
- 'Compare the MCU chip's APROM with the code loaded in the APROM buffer' points to the 'Verify APROM' button.
- 'Show the MCU chip's CONFIG setting' points to the 'Read CONFIG' button.
- 'Set CONFIG bits' points to the 'CONFIG Setting' checkbox.
- 'Download the current GUI's setting into the Programmer' points to the 'Download Programmer' button.
- 'Show the programming data downloaded in the Programmer' points to the buffer display area.
- 'Click to show APROM buffer' and 'Click to show DataFlash buffer' point to the respective buffer tabs.
- 'Select updated items when 'Update Chip' is clicked' points to the 'Items to be Updated' section.
- 'Information of the loaded file' points to the 'File Name', 'Code Size', and 'Checksum' fields.
- 'Processing status' points to the 'Ready...' indicator.
- 'The COM port to which the programmer is to be connected' points to the 'COM12' dropdown.

Note:
 To load code file, click 'APROM Buffer', then click 'Load File'
 To load data file, click 'DataFlash Buffer', then click 'Load File'

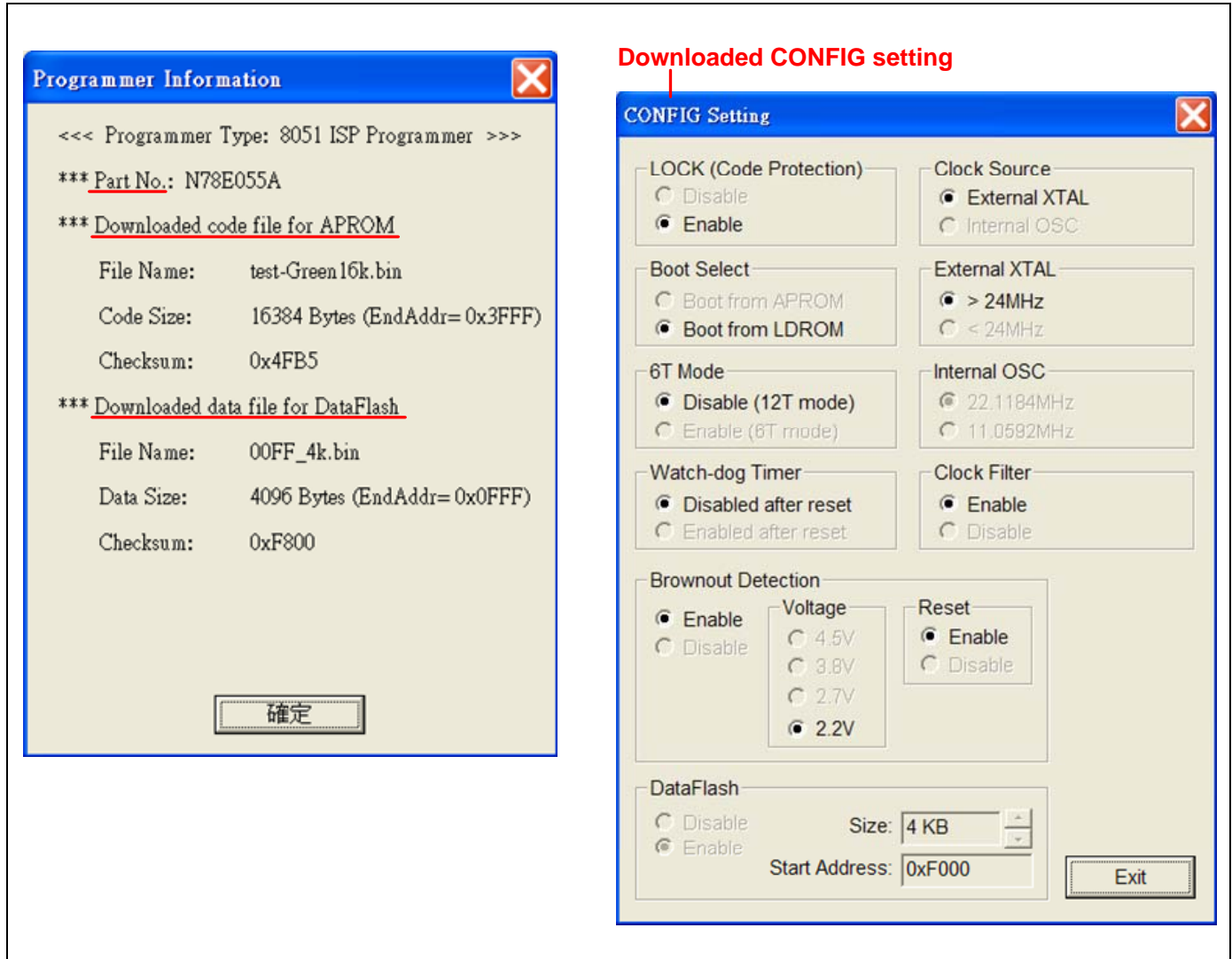
3.2.2 GUI for 'CONFIG Setting'

For some 8051 MCU parts, such as N78E366A, N78E055A, N78E059A and N78E517A, the CONFIG bits can be updated by the ISP Programmer, as shown below.



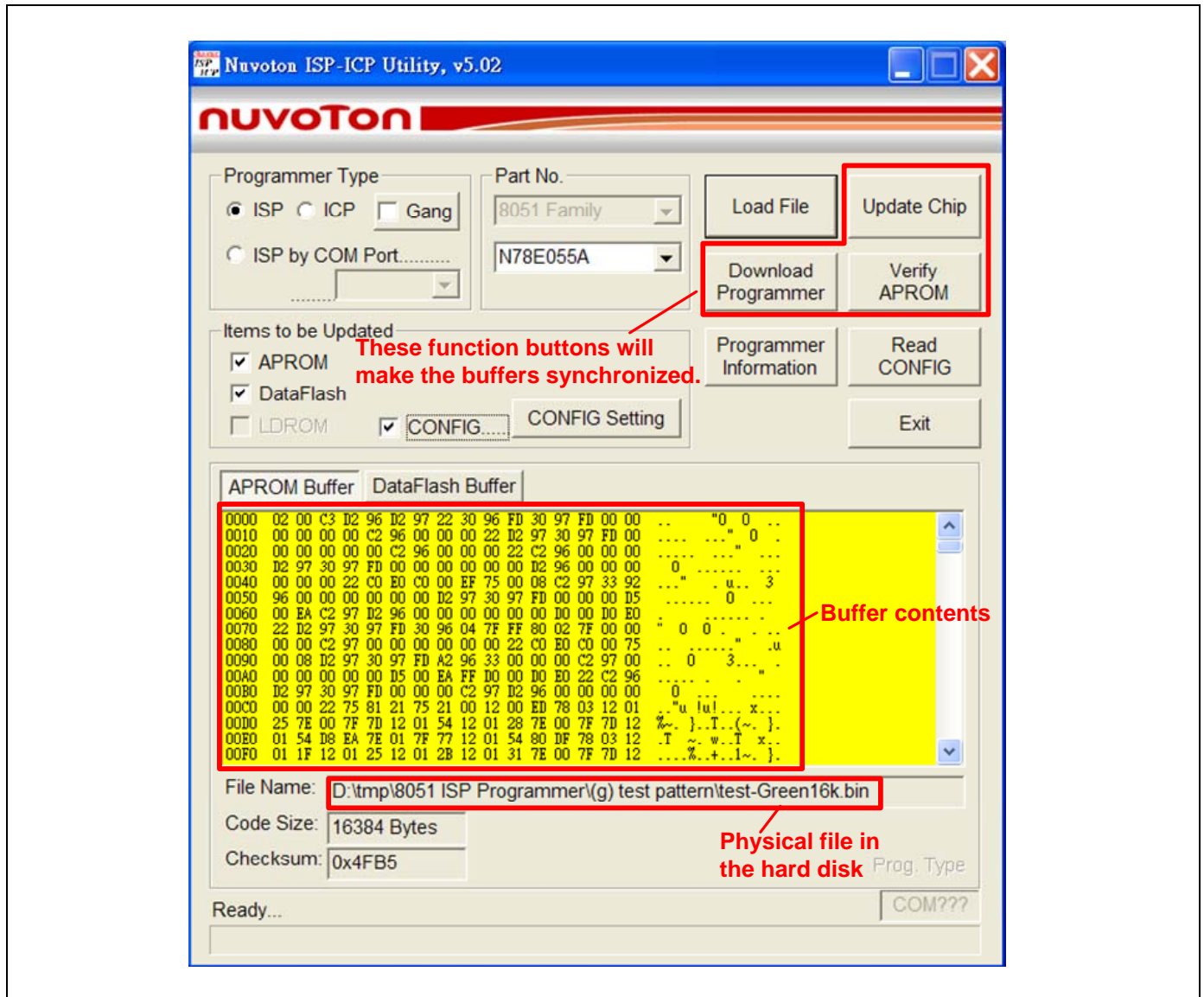
3.2.3 GUI for 'Programmer Information'

To check the programming data downloaded in the Programmer, click the 'Programmer Information' button when the Programmer is connected to PC. Note the 'CONFIG Setting' dialog box appears only when the CONFIG bits are to be updated.



3.3 Auto Synchronization of APROM/DataFlash Buffer

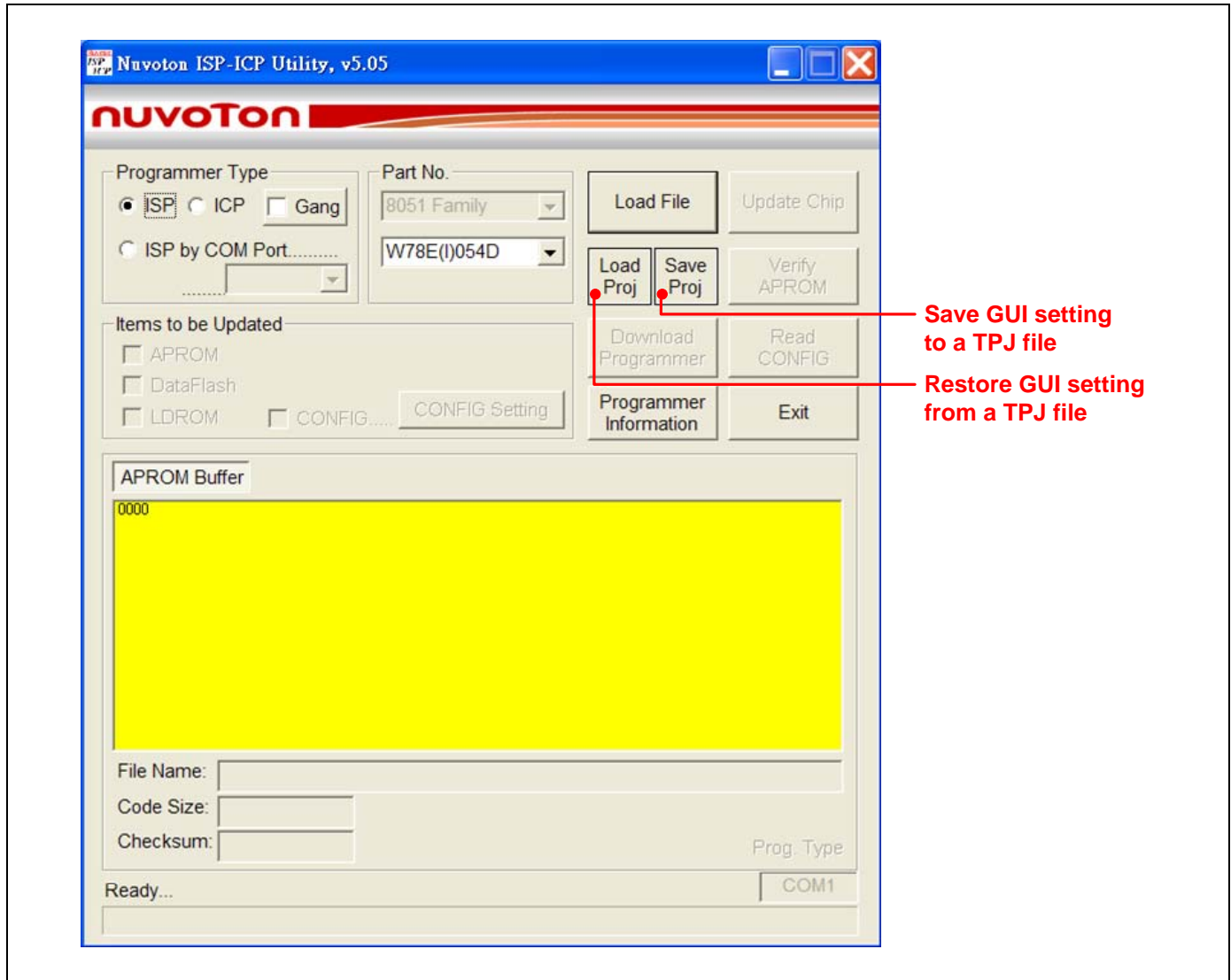
The buffer contents will be automatically synchronized with the physical file in the hard disk when the function button 'Download Programmer', 'Update Chip' or 'Verify Chip' is clicked, as shown below. So, the user needn't manually reload the files for APROM buffer and DataFlash buffer when the physical files are updated externally.



3.4 Tool Project File (TPJ)

The user may save all the GUI setting to the Tool Project (TPJ) file, and retrieve the GUI setting by loading the TPJ file previously saved. It is much helpful to the user to manage a variety of the programming data by a project style.

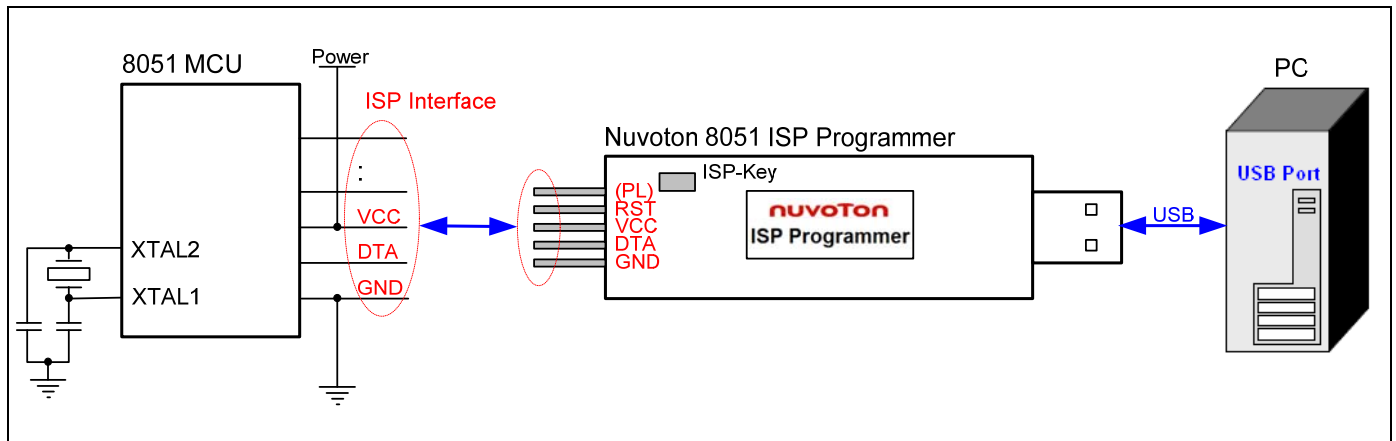
Note: This feature is supported from revision v5.05.



4 Operation Modes

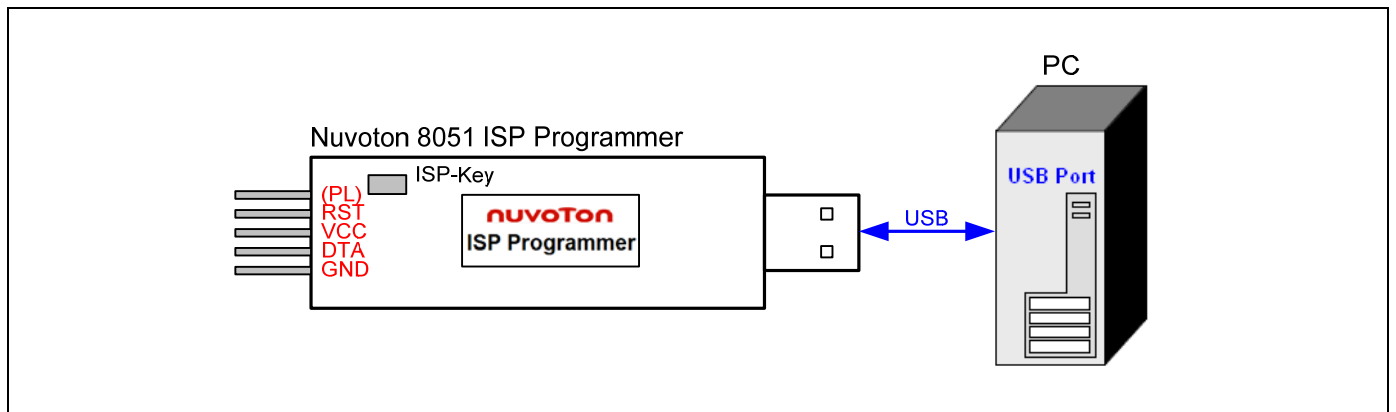
4.1 On-line Mode

The system diagram for **On-line Mode** is shown below. In this mode, both the host and 8051 MCU are connected. The user may directly update the 8051 MCU or download the programming data into the ISP Programmer for using in the Off-line Mode. After updating the 8051 MCU, the user may disconnect the ISP Programmer to let the 8051 MCU run the new application code.



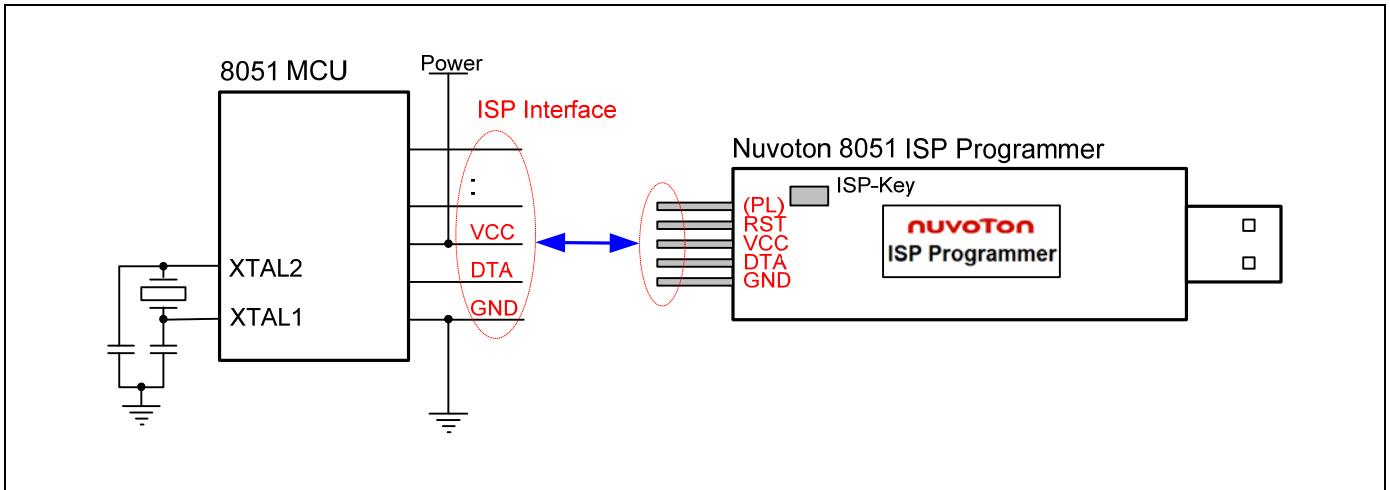
4.2 Download Programmer Mode

The system diagram for **Download Programmer Mode** is shown below. In this mode, only the host is connected. The user may download the programming data into the ISP Programmer for using in the Off-line Mode.



4.3 Off-line Mode

The system diagram for **Off-line Mode** is shown below. In this mode, only the 8051 MCU is connected. This mode is especially useful in the field without the host. After the ISP Programmer has been downloaded, it can perform the off-line operation. Press the ISP-Key to trigger an ISP operation to update the 8051 MCU. After updating the 8051 MCU, the user may disconnect the ISP Programmer to let the 8051 MCU run the new application code.



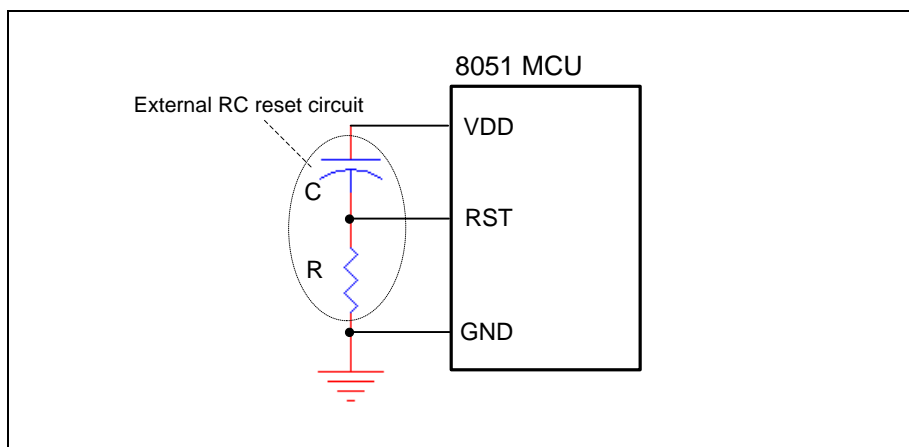
5 Reset Control

Normally, the 8051 MCU's RST-pin with external RC reset circuit (see Figure 5a) can be controlled by the ISP Programmer. At this time, the user may adopt the "With Reset Control" configuration for ISP operation. However, the RST-pin cannot be controlled by the ISP Programmer when the RST-pin is connected to a reset IC (such as MAX810, ADM810, AIC810 and FP6810, etc., see Figure 5b). Now the user should adopt the "Without Reset Control" configuration for ISP operation.

External RC Reset Circuit

The general external RC reset circuit is shown in Figure 5a. The resistance of R should be larger than $47K\Omega$ to have the RST-pin be successfully controlled by the ISP Programmer. Normally, $\{47K\Omega, 2.2\mu F\}$ and $\{100K\Omega, 1\mu F\}$ are recommended for $\{R, C\}$.

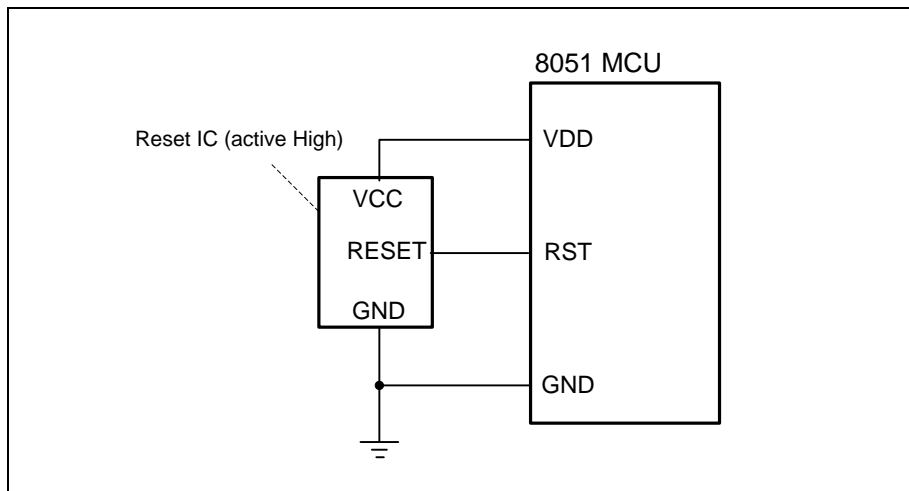
Figure 5a. External RC Reset Circuit



Reset Circuit with a Reset-IC

In this condition, the RST-pin cannot be controlled by the ISP Programmer.

Figure 5b. Reset Circuit with a Reset-IC



5.1 With Reset Control

For the “*With Reset Control*” configuration, the ISP Programmer will always keep the 8051 MCU in reset state until the ISP operation is triggered, such as “Update Chip” button is clicked or ISP-Key is pressed. At this time, the ISP Programmer will release the 8051 MCU to let it reboot from LDROM to run the ISP code. After ISP operation is completed, the ISP Programmer keeps the 8051 MCU in reset state again. When the ISP Programmer is disconnected from the 8051 MCU, the 8051 MCU will automatically reboot from APROM to run the new application code. With reset control, the user may do the ISP operation as long as the ISP Programmer is connected to 8051 MCU when the 8051 MCU is in powered-on state.

Note: “With Reset Control” is strongly recommended for ISP operation.

5.2 Without Reset Control

For the “*Without Reset Control*” configuration, to successfully let the 8051 MCU boot from LDROM to run the ISP code, the user should follow the steps listed below.

- Step 1: Connect the ISP Programmer to the 8051 MCU.
- Step 2: Connect the ISP Programmer to the host. *(This step is only for On-line Mode and may be exchanged with Step1.)*
- Step 3: Make the 8051 MCU boot from LDROM by the following two methods:
 - (1) Send reset a reset pulse to the RST-pin, or (2) power off the and power on again.
- Step 4: Now, the 8051 MCU will boot from LDROM and start to run the ISP code for ISP operation.

Note:

Step 3 shows the “Without Reset Control” is somewhat inconvenient for the user to have the 8051 MCU boot from LDROM. That is why we strongly recommend the user to adopt the “With Reset Control” configuration.

6 Notes for the ISP Function

6.1 Requirement on P3.1

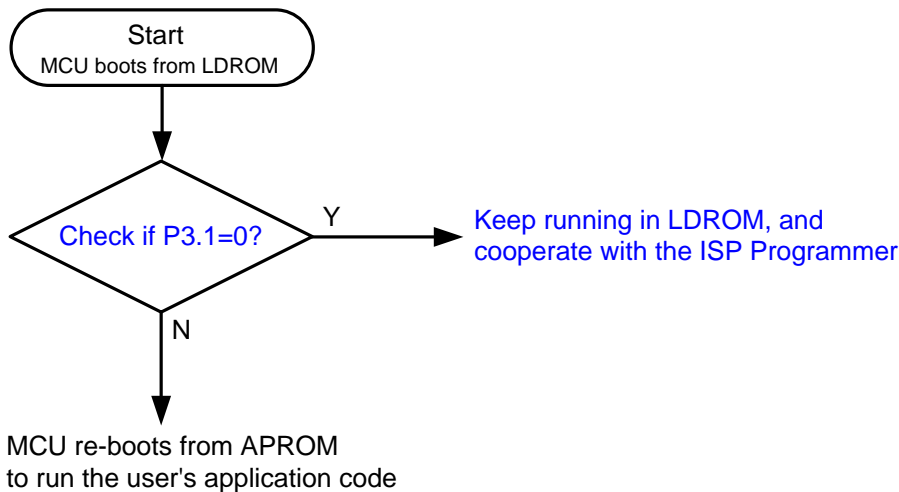
During ISP operation, the 8051 MCU's P3.1 behaves as 'DTA' (serial data). When ISP is not requested, P3.1 can function as its normal general purpose I/O pin as long as P3.1 conforms to the following requirements:

- * **The state of P3.1 must be logic-1 before the MCU is just released from reset condition.**
- * **During the ISP operation, P3.1 cannot be pulled low by the other components connected to it.**

It is because when the MCU boots from its LDROM and starts to run the *Nuvoton standard ISP code*, the MCU will sample P3.1 to determine the next action. If logic-0 is sampled, it means the ISP Programmer is connected, and the MCU will stay in LDROM for further ISP operation; if logic-1 is sampled, the MCU will automatically re-boot from APROM (by internal software reset) to run the user's application code.

During the operating of ISP, P3.1 functions as bi-directional I/O for serial data transfer. It may output logic-1 or logic-0 to the ISP Programmer, and receive logic-1 or logic-0 from the ISP Programmer. Thus the user should check if there is any side effect on the other components connected to P3.1 during ISP operation.

The following flow chart shows how the MCU determines to cooperate with ISP Programmer or to reboot from APROM when the MCU starts to run the *Nuvoton standard ISP code* in LDROM.



6.2 About the ISP Code

For the 8051 MCU products with ISP function, there are two program memories: one is APROM and the other is LDROM. APROM contains the user's application code for normal operation while LDROM contains the ISP code (cooperating with the ISP Programmer) for updating of APROM. To use the ISP Programmer to update APROM, the ISP code should always reside in LDROM. If the ISP code disappears from LDROM because of accidentally being erased by a universal programmer, the ISP function will become always failed. To recover the ISP function, please use a universal programmer to program the *Nuvoton standard ISP code* into LDROM, and have its CONFIG setting properly configured (cf. Section 2).

Why is the ISP code easily/accidentally erased by a universal programmer? Because the LDROM is also erased along with the APROM if the user uses a universal programmer to program APROM. So, we strongly recommend the user to use the ISP Programmer to program APROM in the beginning of getting the MCU sample with ISP code inside. Don't use any universal programmer to program APROM unless the ISP function won't be used.

6.3 Compared with the 'ICP'

The difference between ISP (In-System Programming) and ICP (In-Circuit Programming) is that ISP is implemented by software control of MCU itself while ICP is implemented by hardware control. So, before updating the MCU chip, ISP needs a software code (the ISP-code) pre-programmed in MCU's LDROM to function as software control while ICP doesn't need any software code pre-programmed.