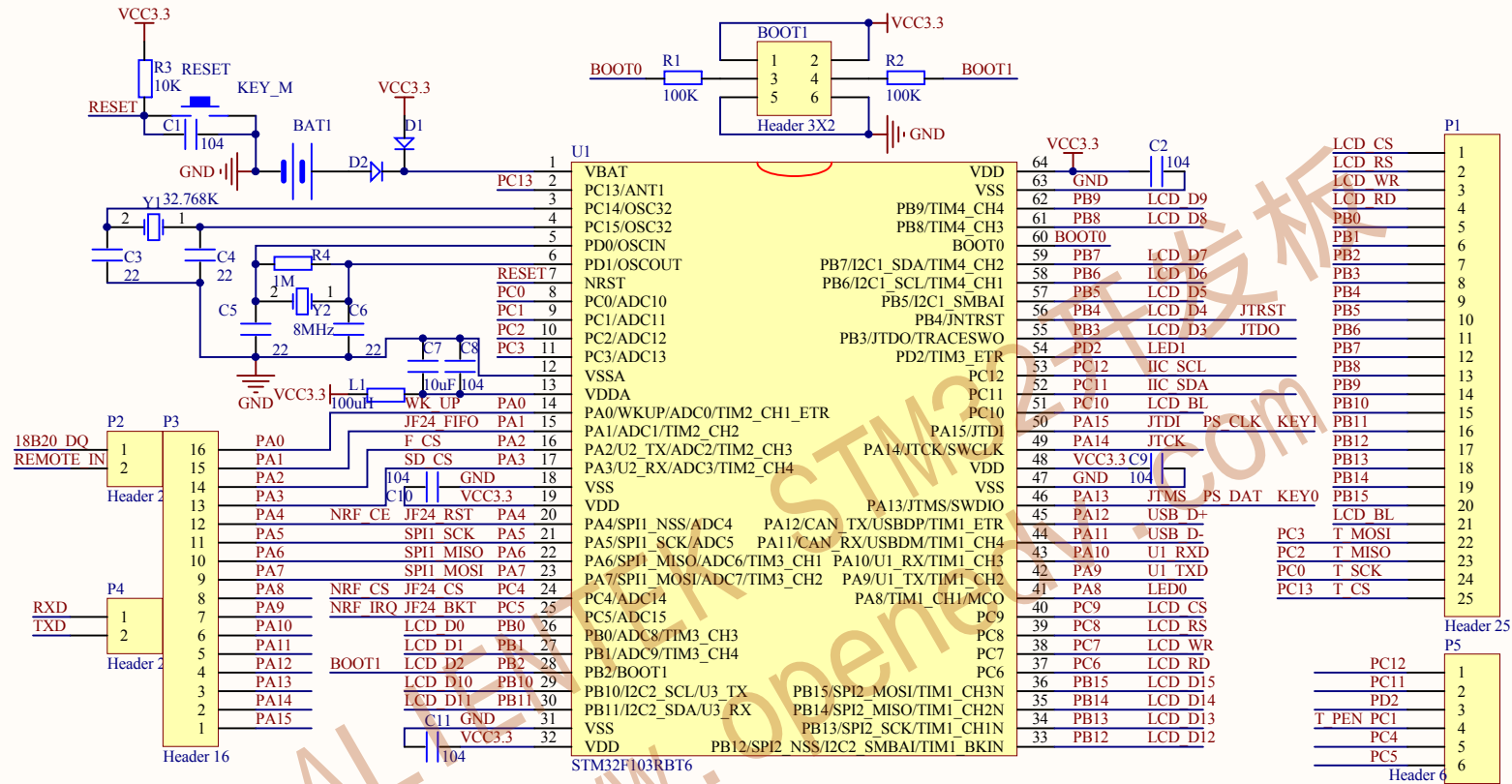
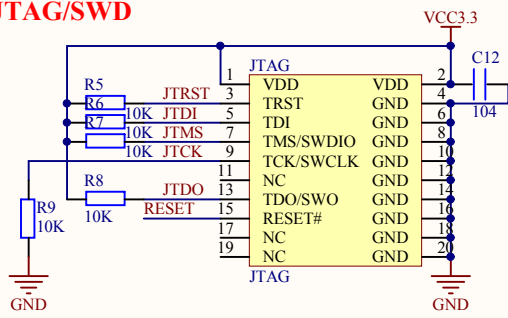


MCU



JTAG/SWD

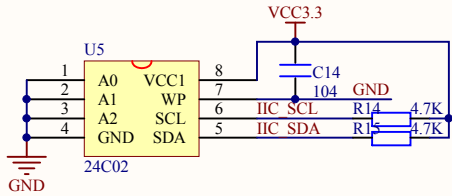


Title:	CORE
Author:	liujun6037
Date:	2011-1-12
Revision:	0
Size:	A4
File:	CORE.SchDoc
Version:	V1.8

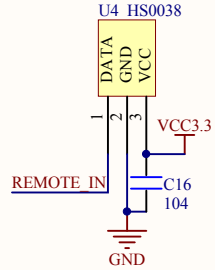


ALIENTEK

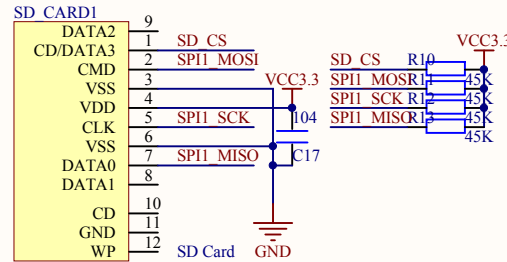
EEPROM



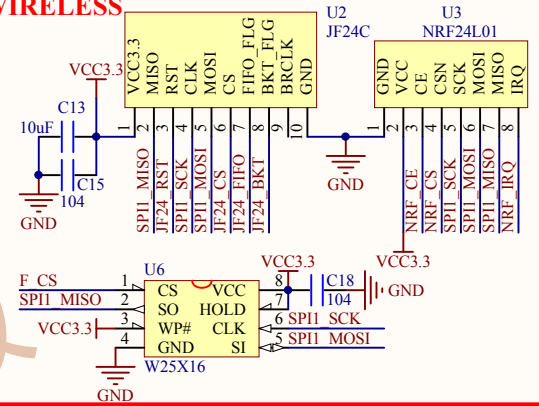
REMOTE



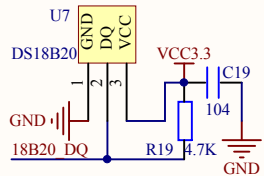
SD_CARD



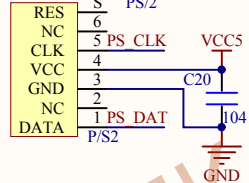
WIRELESS



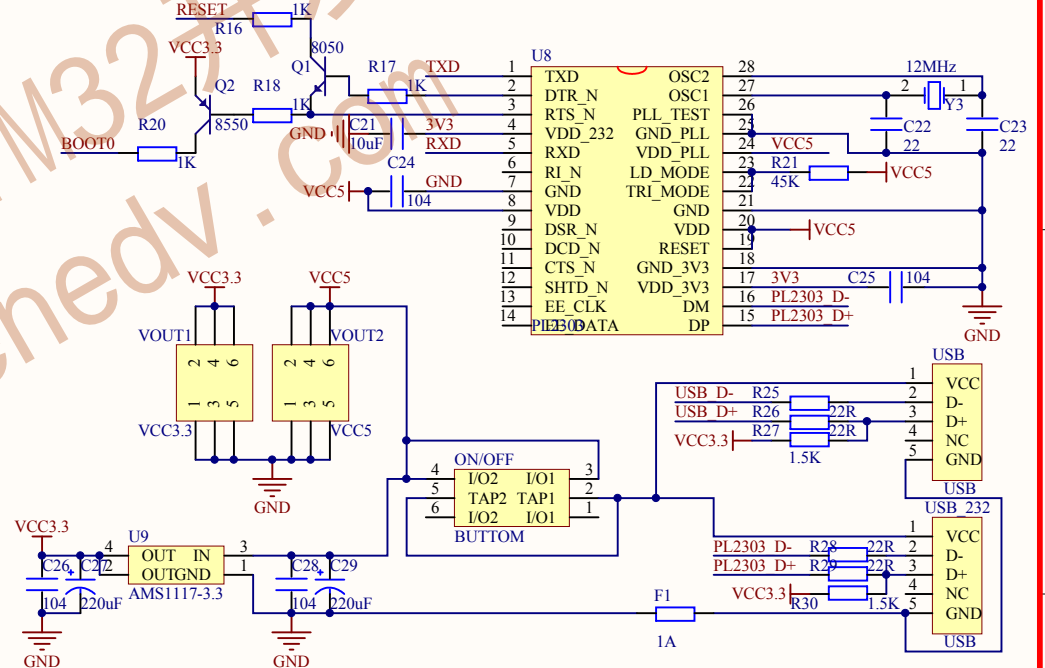
TEMPERATURE



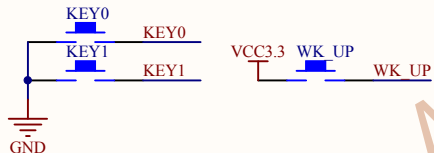
PS/2



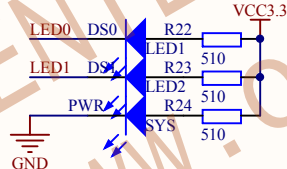
USB_232/USB/POWER



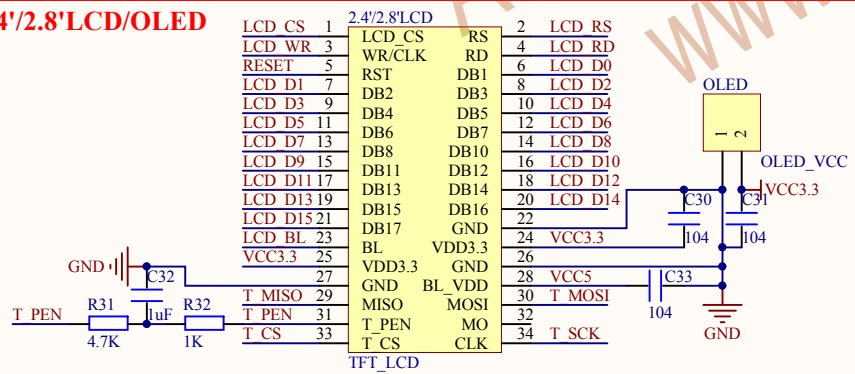
KEY



LED



2.4"/2.8"LCD/OLED



Title:	DEVICES
Author:	liujun6037
Date:	2011-1-12
Revision:	0
Size:	A4
File:	
SchDoc	
Version:	V1.8



