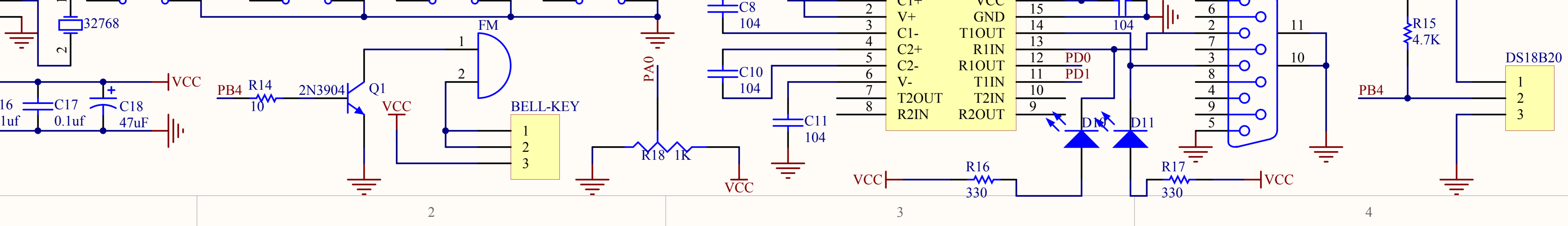
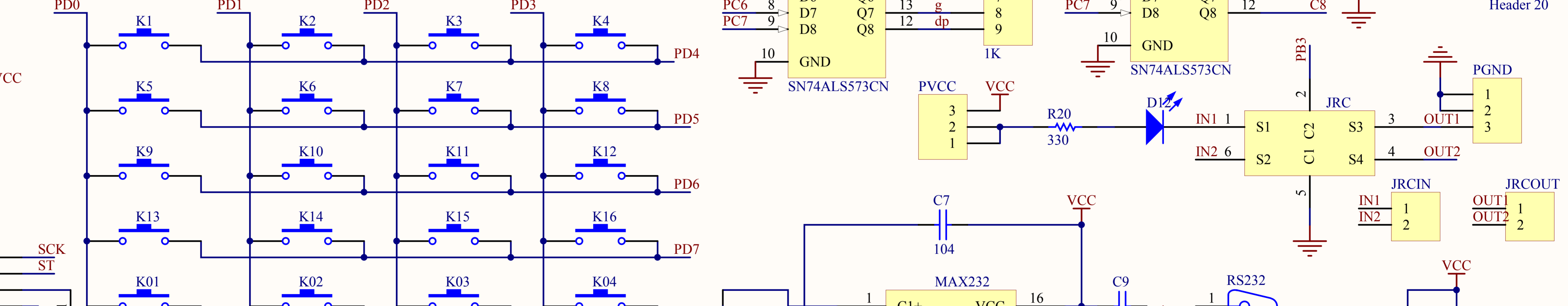
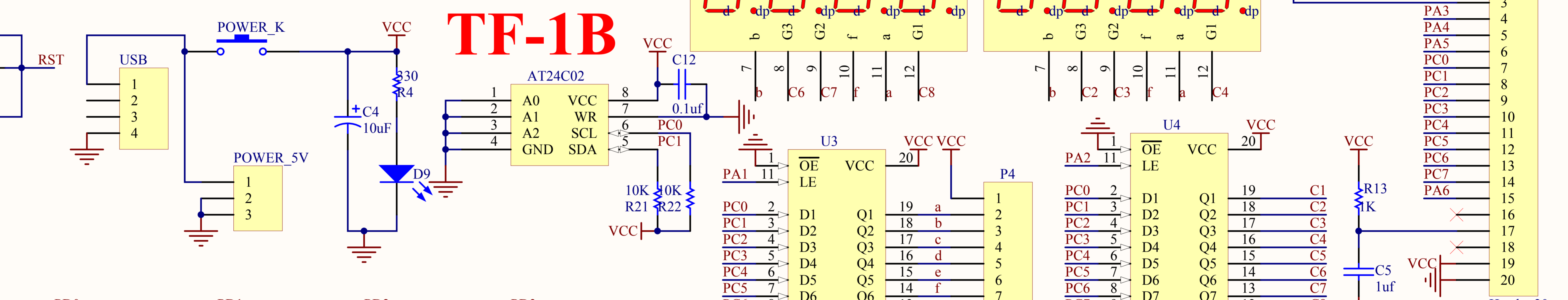
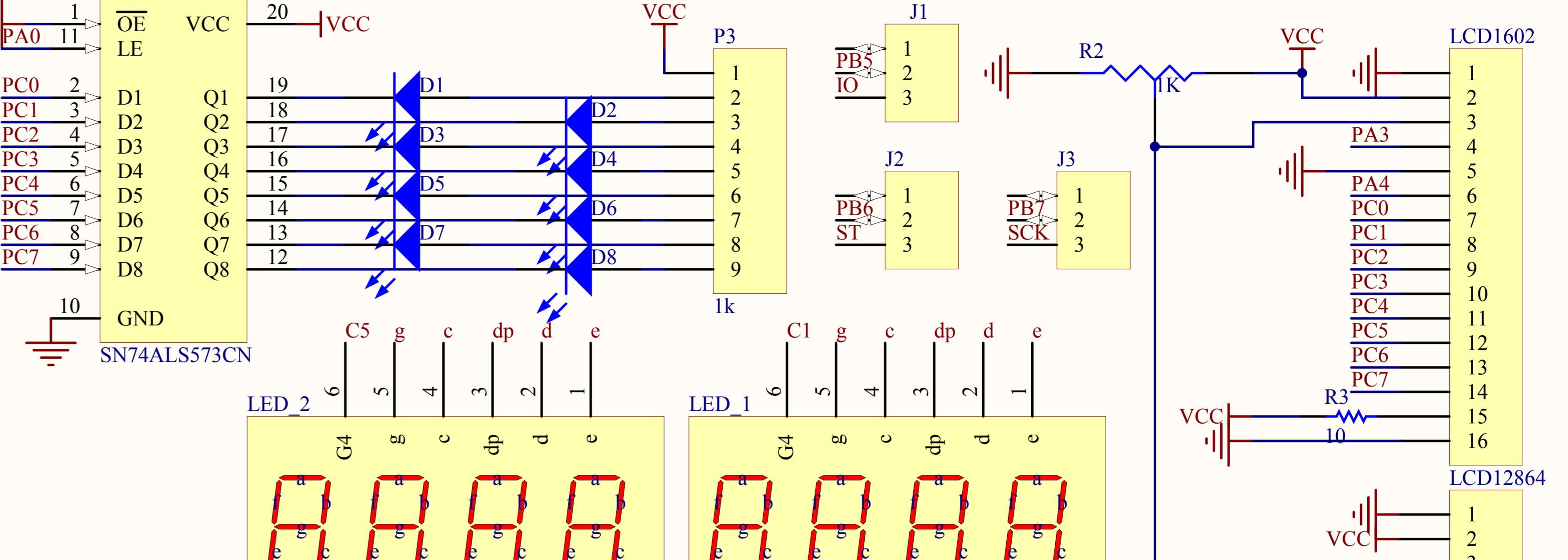
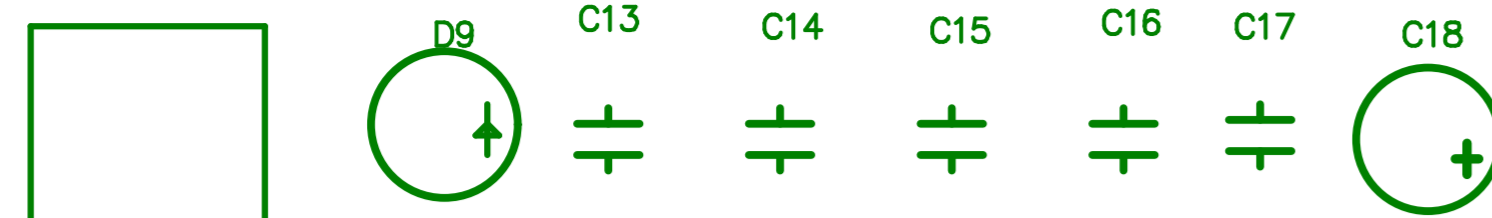


P1	U1	P2
1	PB0 (T0) (ADC0) PA0	40 PA0
2	PB1 (T1) (ADC1) PA1	39 PA1
3	PB2 (AIN0) (ADC2) PA2	38 PA2
4	PB3 (AIN1) (ADC3) PA3	37 PA3
5	PB4 (SS) (ADC4) PA4	36 PA4
6	PB5 (MOSI) (ADC5) PA5	35 PA5
7	PB6 (MISO) (ADC6) PA6	34 PA6
8	PB7 (SCK) (ADC7) PA7	33 PA7
9	VCC RST	32 AREF
10	VCC	31 AGND
11	GND	30 AVCC
12	GNDXTAL2	29 PC7
13	GNDXTAL1	28 PC6
14	PD0 (RXD) (TDI) PC5	27 PC5
15	PD1 (TXD) (TDO) PC4	26 PC4
16	PD2 (INT0) (TMS) PC3	25 PC3
17	PD3 (INT1) (TCK) PC2	24 PC2
18	PD4 (OC1B) (SDA) PC1	23 PC1
19	PD5 (OC1A) (SCL) PC0	22 PC0
20	PD6 (ICP) (OC2) PD7	21 PD7

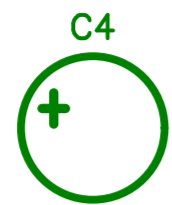


QQ:380326562 TEL:15991607483

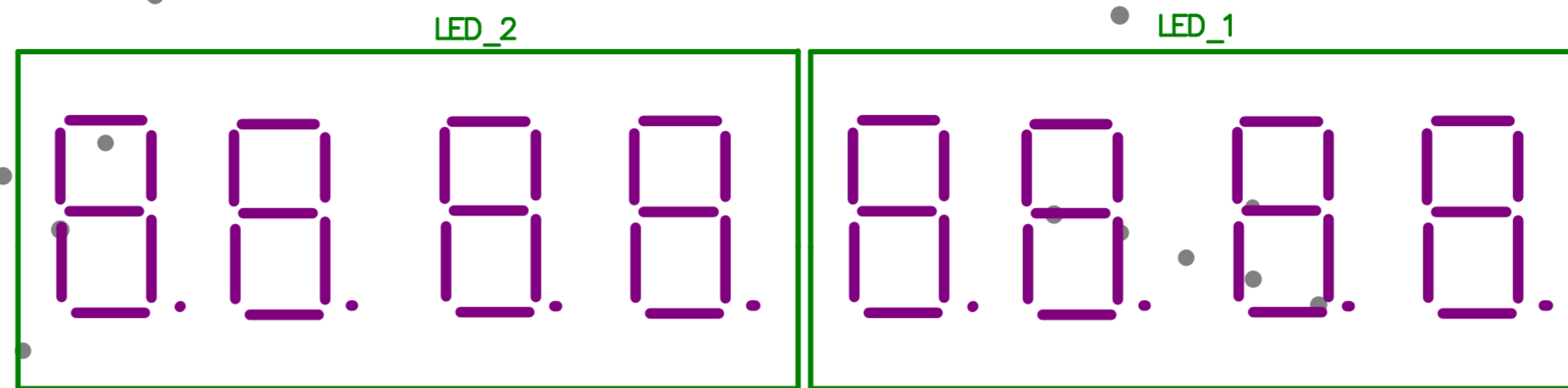
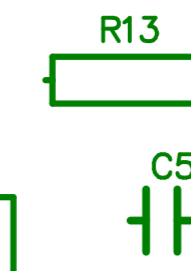
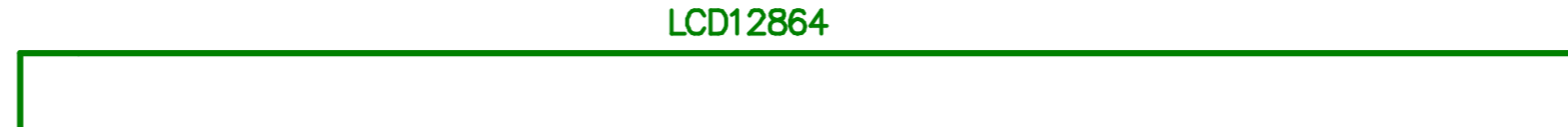
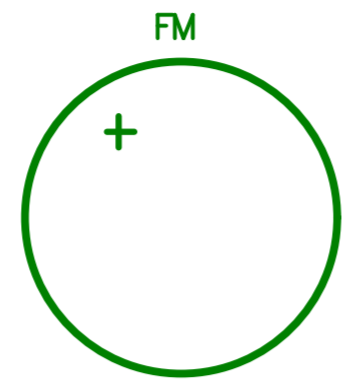
EXTEND I/O



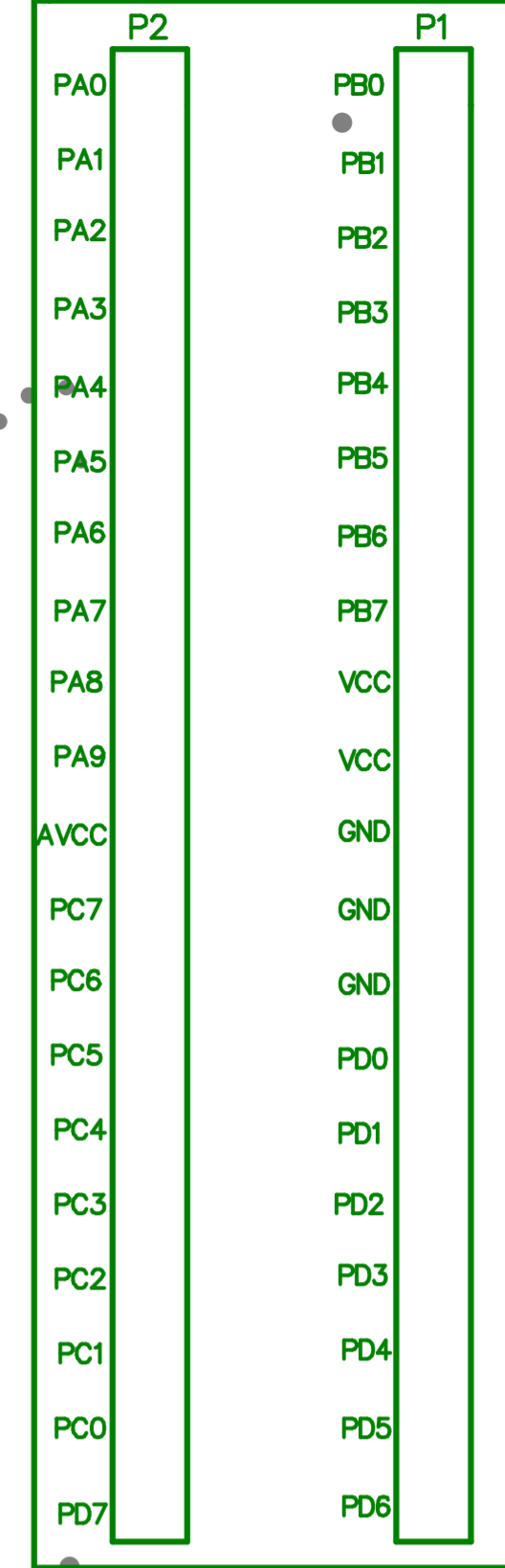
power_key



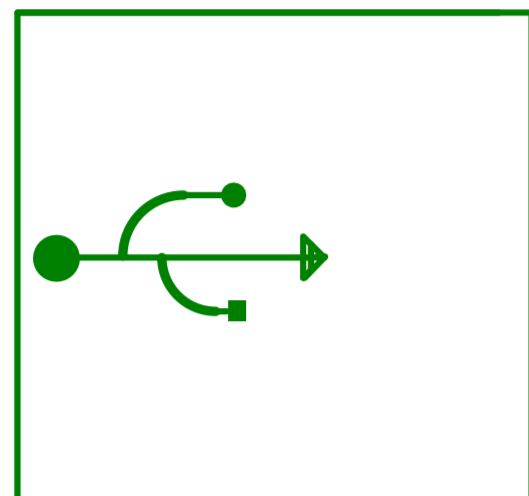
BELL-KEY



P4



POWER_5V

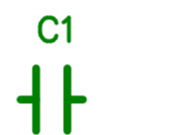
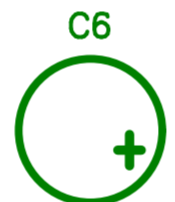
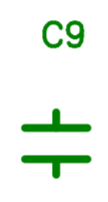


USB

TF-1B AVR

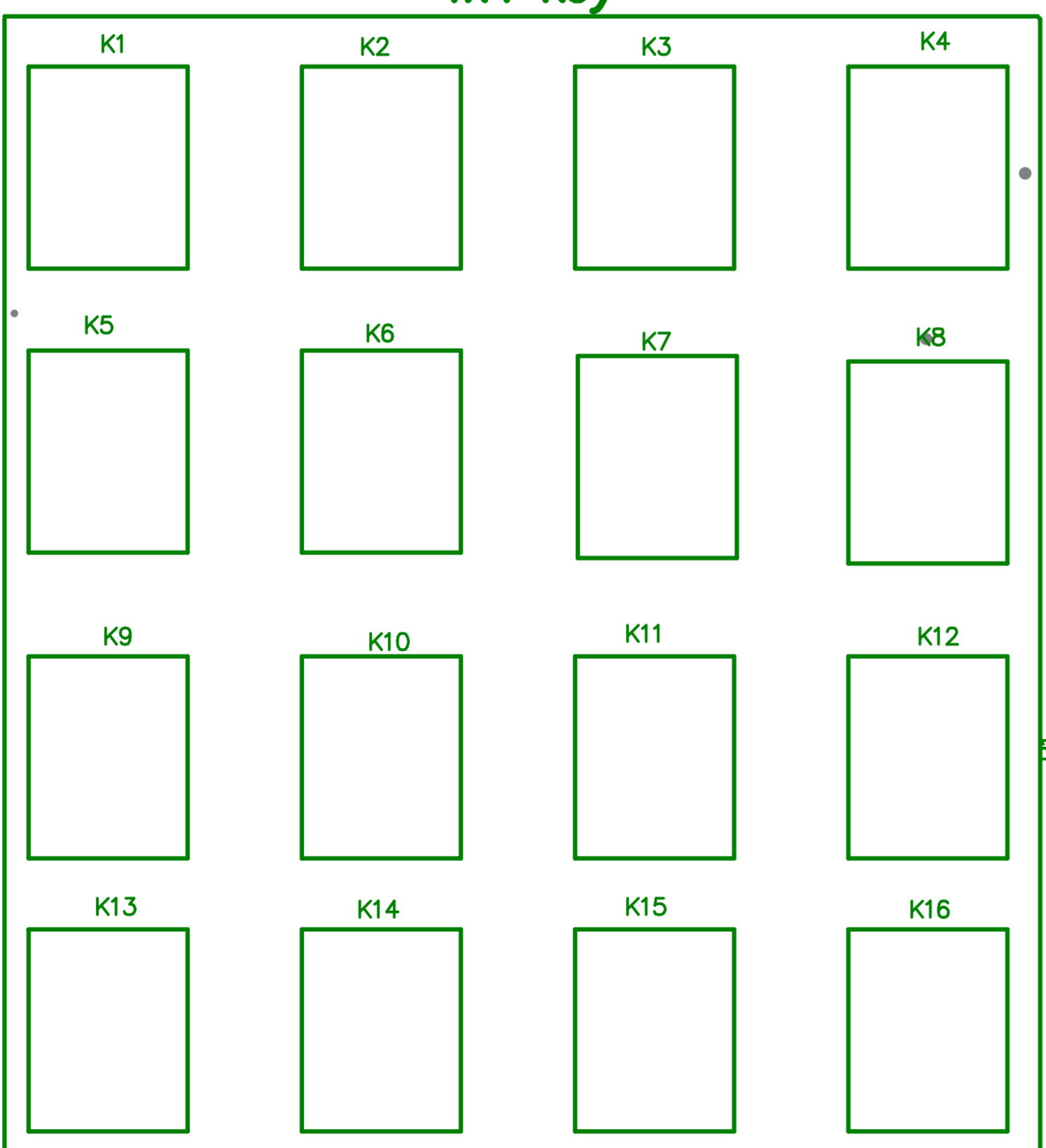
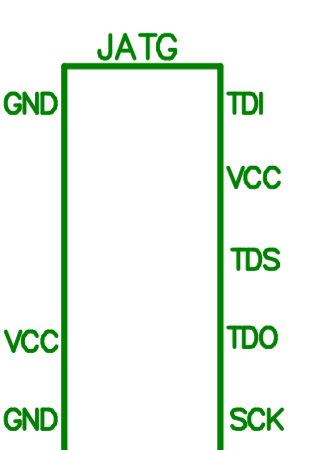
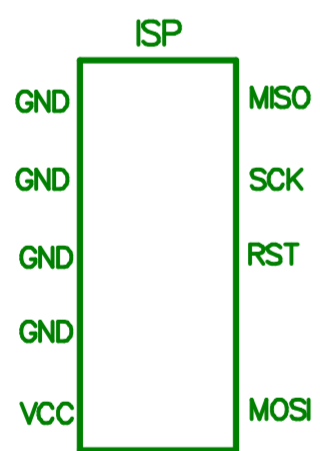
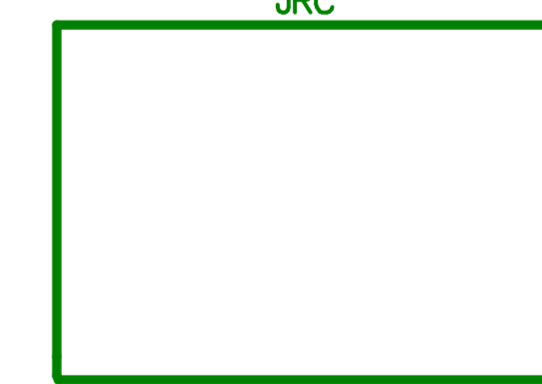
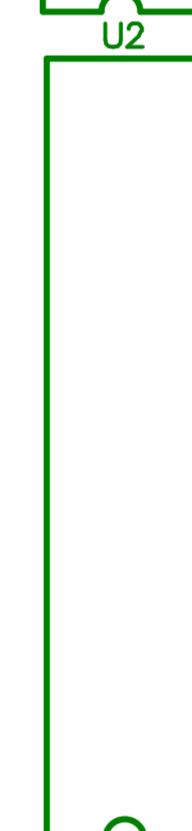
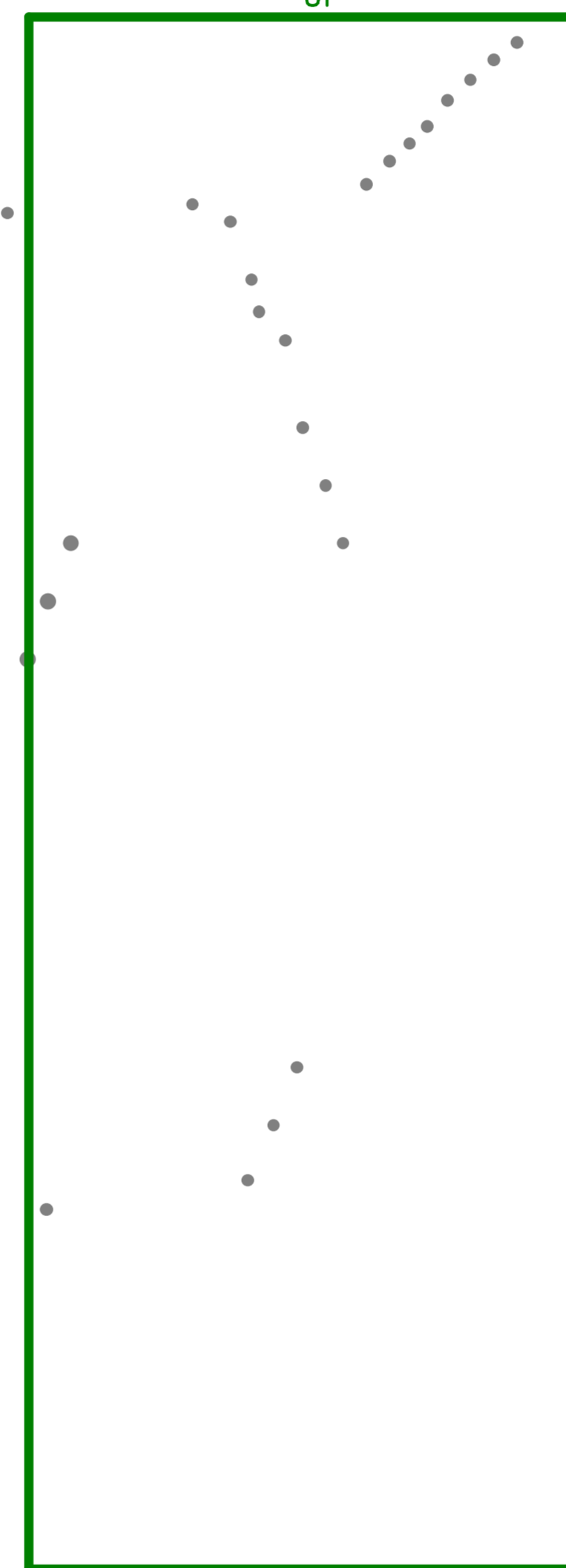
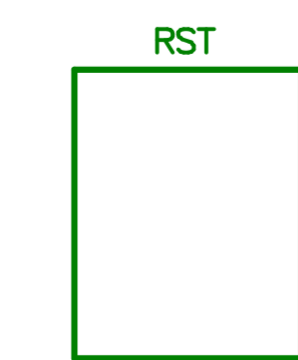
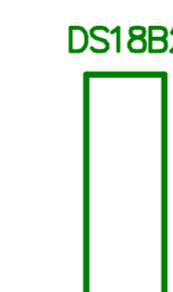


MAX232

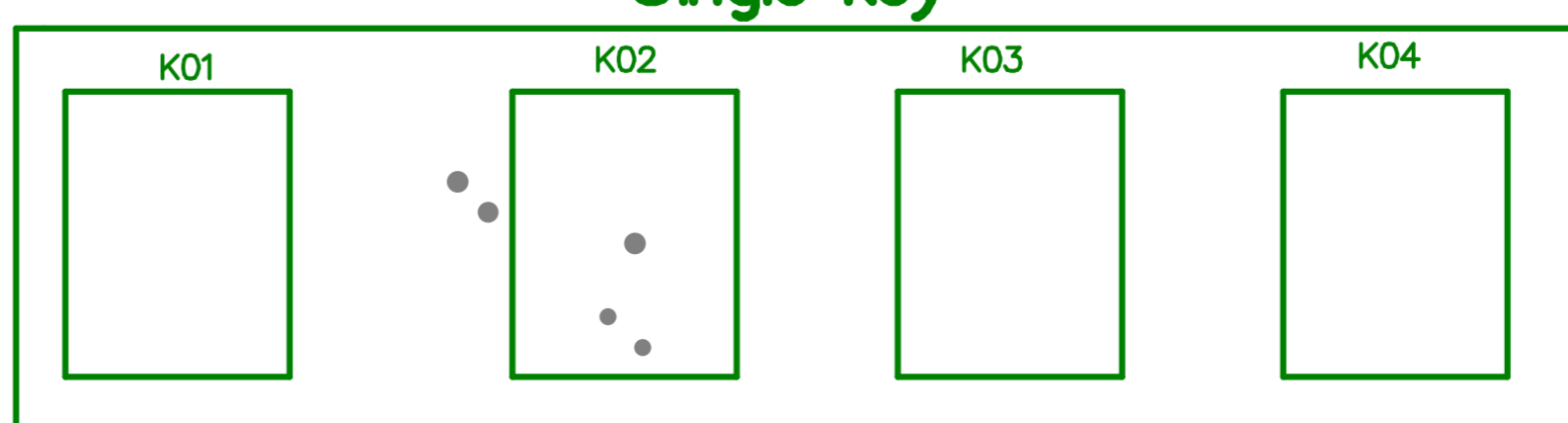


32768

()



4x4 key



Single key

