

	1	2	3	4	5	6
D	<div style="text-align: center;"> <h1>Micro2440SDK</h1> <p>Ver: 20081016</p> </div>					
C						
B						
A						
	1	2	3	4	5	6

Micro2440

01-Micro2440.sch



UART

02-UART_USB_ETC.sch



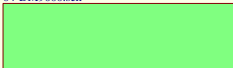
Audio

03-Audio.sch



DM9000

04-DM9000.sch

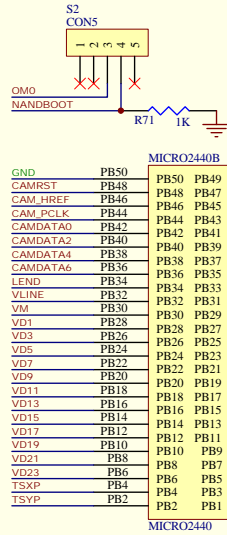


Title		
Size	Number	Revision
B		
Date:	14-Feb-2009	Sheet of
File:	D:\project\micro2440-sdk\Micro2440SDK-1.0.0.0\B-光磁发行版(Micro2440SDK).dcb	

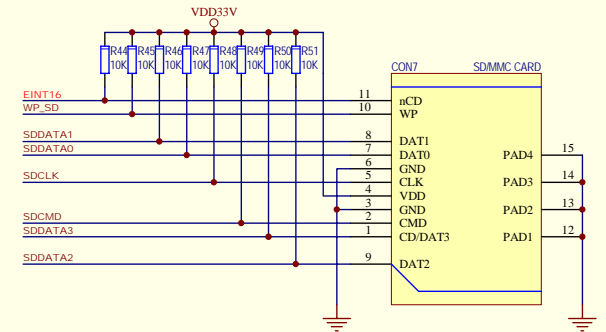
Micro2440 Core Board

MICRO2440A			
VDD5V	PA1	PA2	GND
EINT19	PA3	PA4	EINT18
EINT17	PA5	PA6	EINT16
EINT15	PA7	PA8	EINT14
EINT13	PA9	PA10	EINT11
EINT8	PA11	PA12	EINT6
EINT5	PA13	PA14	EINT4
EINT3	PA15	PA16	EINT2
EINT1	PA17	PA18	EINT0
WP_SD	PA19	PA20	SDCLK
SDCMD	PA21	PA22	SDDATA2
SDDATA3	PA23	PA24	SDDATA0
SDDATA1	PA25	PA26	OM0
LCDVFO	PA27	PA28	M_nRESET
DN1	PA29	PA30	DP1
DN0	PA31	PA32	DPO
AIN2	PA33	PA34	VDDRTC
AIN0	PA35	PA36	AIN1
L3MODE	PA37	PA38	L3DATA
L3LOCK	PA39	PA40	I2SLRCK
I2SSCLK	PA41	PA42	CDCLK
I2SSDI	PA43	PA44	I2SSDO
GPB0	PA45	PA46	GPB1
TXD2	PA47	PA48	RXD0
TXD1	PA49	PA50	RXD1
TXD0	PA51	PA52	RXD0
nCTS0	PA53	PA54	nRTS0
I2CSDA	PA55	PA56	I2CSCL

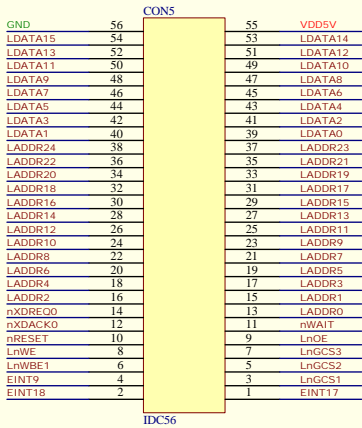
MICRO2440C			
GND	PC56	PC55	VDD5V
LDATA15	PC54	PC53	LDATA14
LDATA13	PC52	PC51	LDATA12
LDATA11	PC50	PC49	LDATA10
LDATA9	PC48	PC47	LDATA8
LDATA7	PC46	PC45	LDATA6
LDATA5	PC44	PC43	LDATA4
LDATA3	PC42	PC41	LDATA2
LDATA1	PC40	PC39	LDATA0
LADDR24	PC38	PC37	LADDR23
LADDR22	PC36	PC35	LADDR21
LADDR20	PC34	PC33	LADDR19
LADDR18	PC32	PC31	LADDR17
LADDR16	PC30	PC29	LADDR15
LADDR14	PC28	PC27	LADDR13
LADDR12	PC26	PC25	LADDR11
LADDR10	PC24	PC23	LADDR9
LADDR8	PC22	PC21	LADDR7
LADDR6	PC20	PC19	LADDR5
LADDR4	PC18	PC17	LADDR3
LADDR2	PC16	PC15	LADDR1
nXDREO0	PC14	PC13	LADDR0
nXDACKO	PC12	PC11	nWAIT
nRESET	PC10	PC9	LnOE
LnWE	PC8	PC7	LnGCS4
LnWB1	PC6	PC5	LnGCS2
LnGCS3	PC4	PC3	LnGCS1
EINT9	PC2	PC1	EINT7



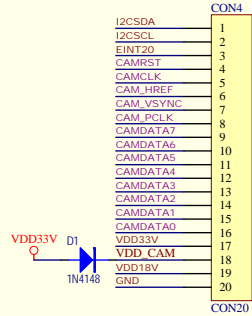
SD Card Socket



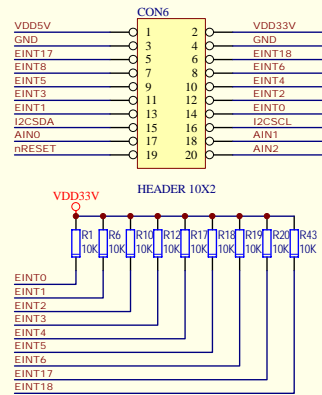
Extend System Bus Connector



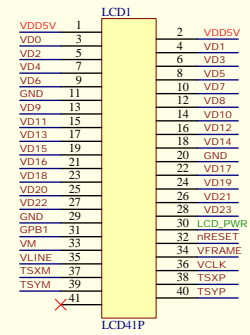
CMOS Camera Connector



GPIO

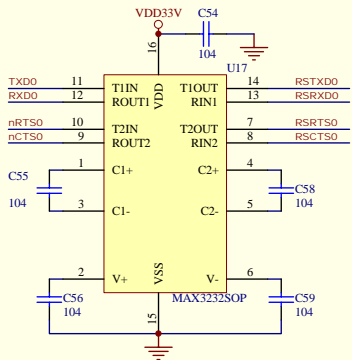


LCD Connector

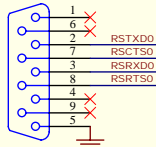


Title		
Size	Number	Revision
B		
Date:	14-Feb-2009	Sheet of
File:	D:\project\micro2440-sdK\Micro2440SDK-16860-B-光磁发行版(Micro2440SDK).db	34

UART0-2

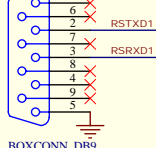


COM0-RS232



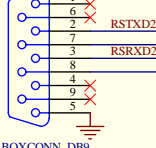
BOXCONN_DB9

COM1-RS232

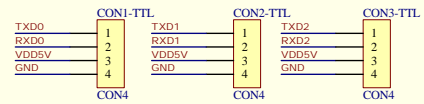
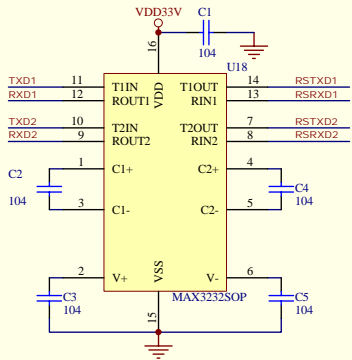


BOXCONN_DB9

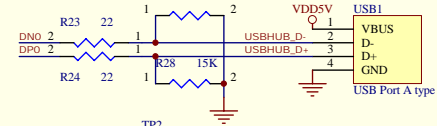
COM2-RS232



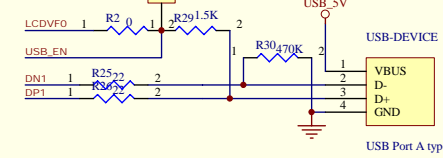
BOXCONN_DB9



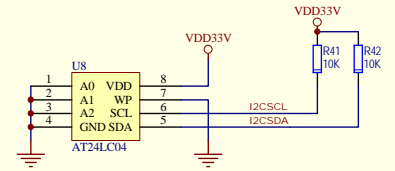
USB Host



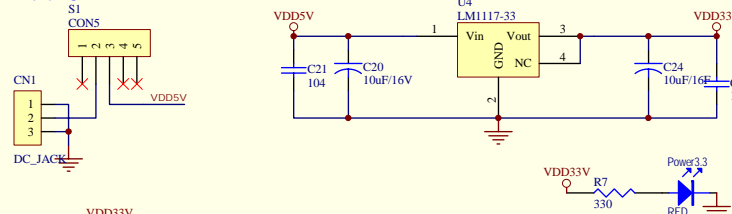
USB Slave



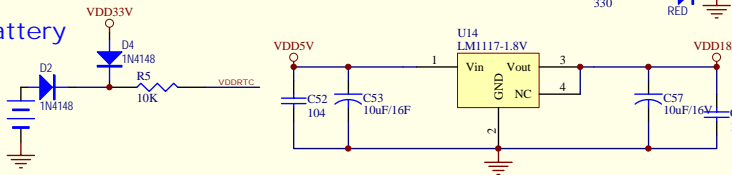
I2C EEPROM



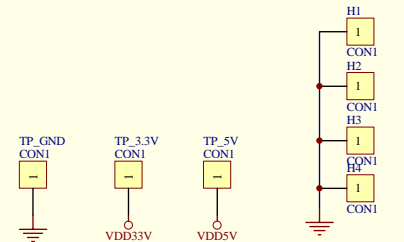
Power Supply



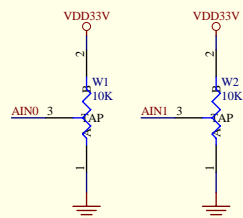
RTC Battery



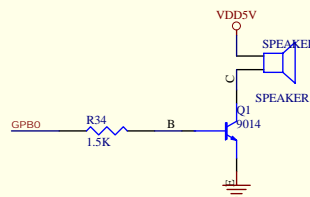
Mouting Hole



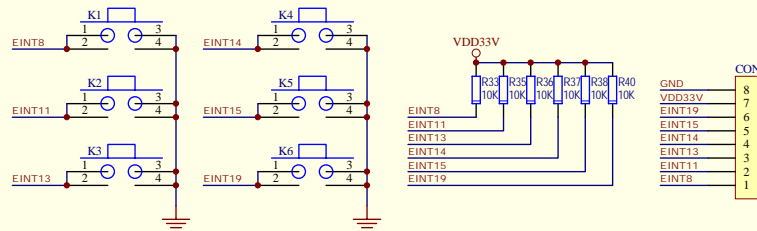
A/D转换测试电路



PWM驱动蜂鸣器电路

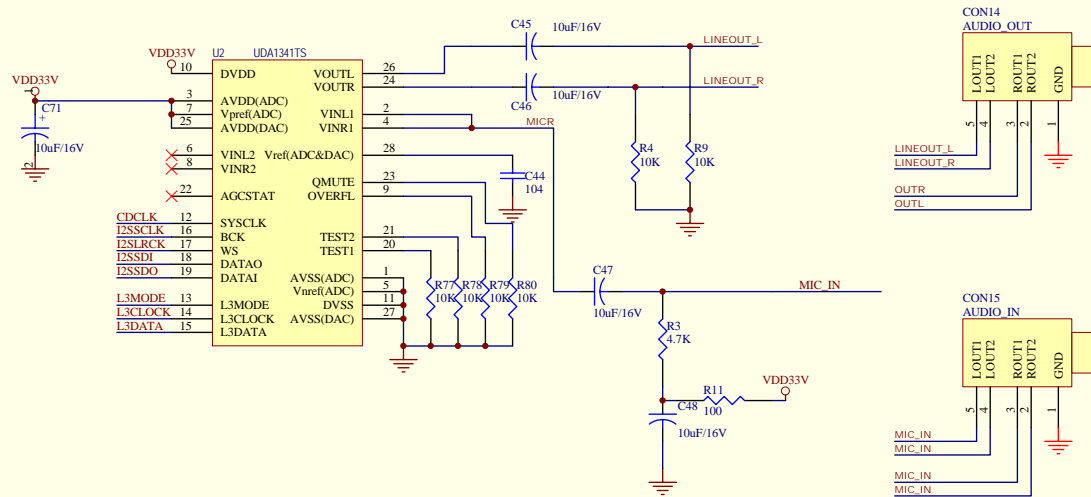


Buttons

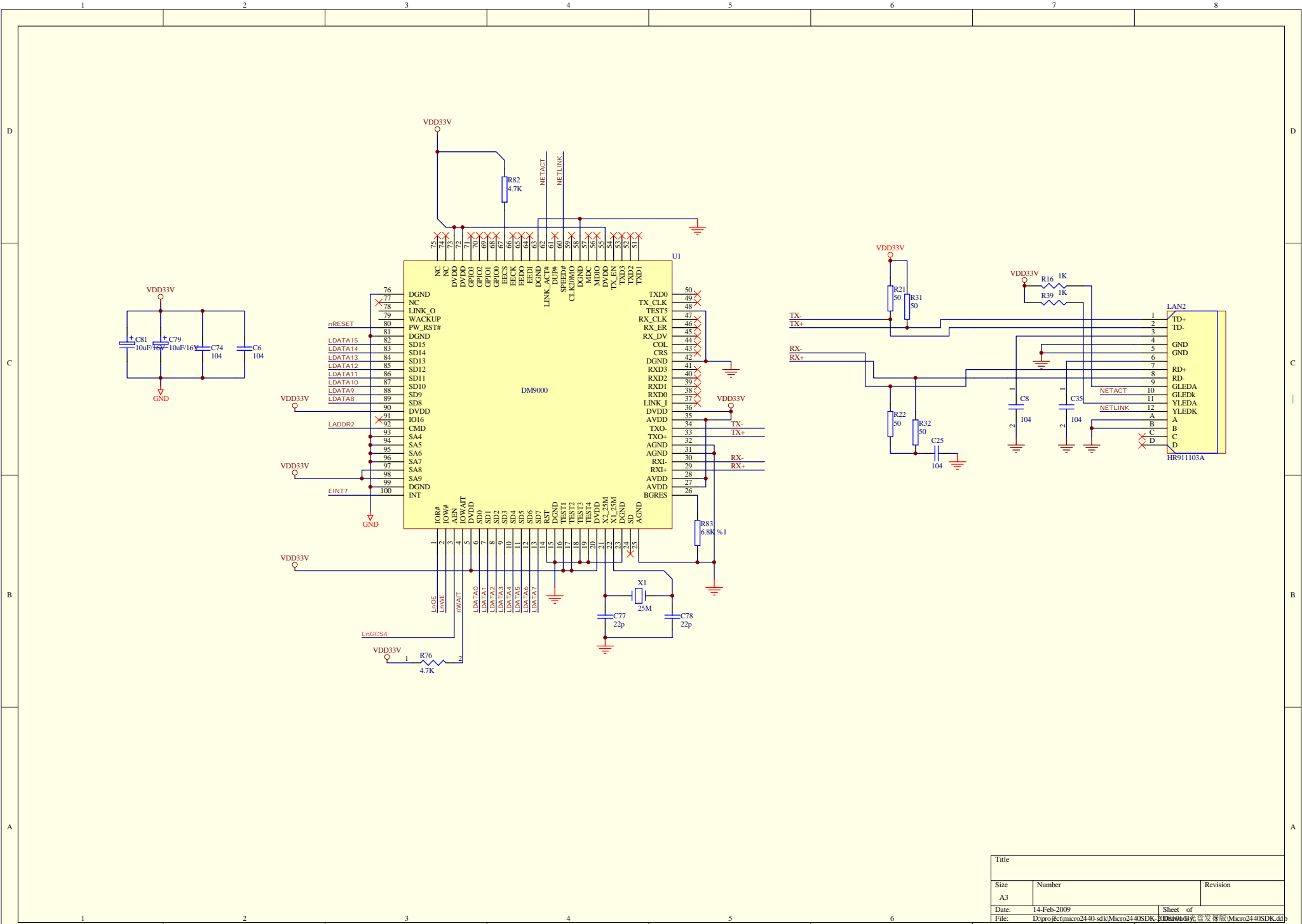


Title		
Size	Number	Revision
B		
Date:	14-Feb-2009	Sheet of
File:	D:\project\micro2440-sdk\Micro2440SDK-1.0.0\hw\光磁发行版(Micro2440SDK).dcb	

Audio output and input



Title		
Size	Number	Revision
B		
Date:	14-Feb-2009	Sheet of
File:	D:\project\micro2440-sdk\Micro2440SDK-1.0.0\B-光器发行版(Micro2440SDK).db	



Title		
Size	Number	Revision
A3		
Date:	14-Feb-2009	Sheet of
File:	D:\proj\micro2440_sdk\Micro2440SDK_VDR101.66 批量发客版\Micro2440SDK.d	