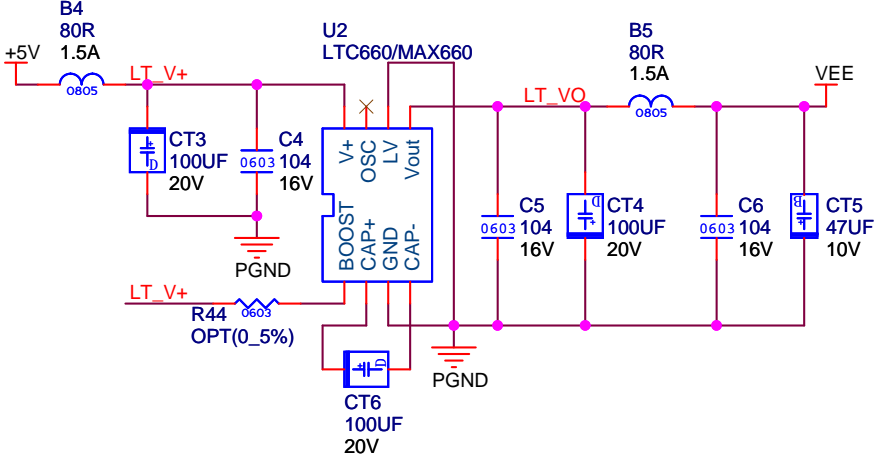
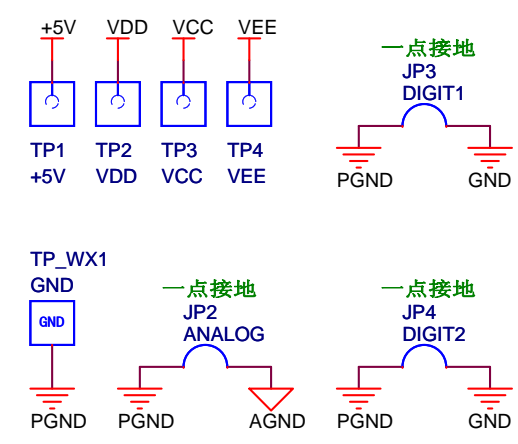


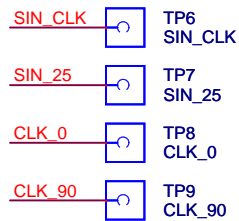
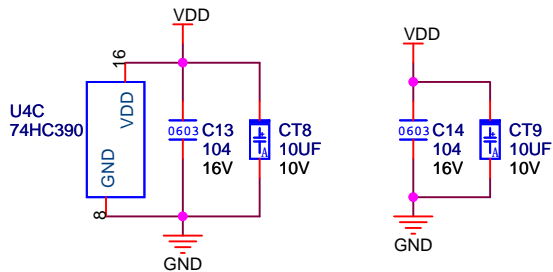
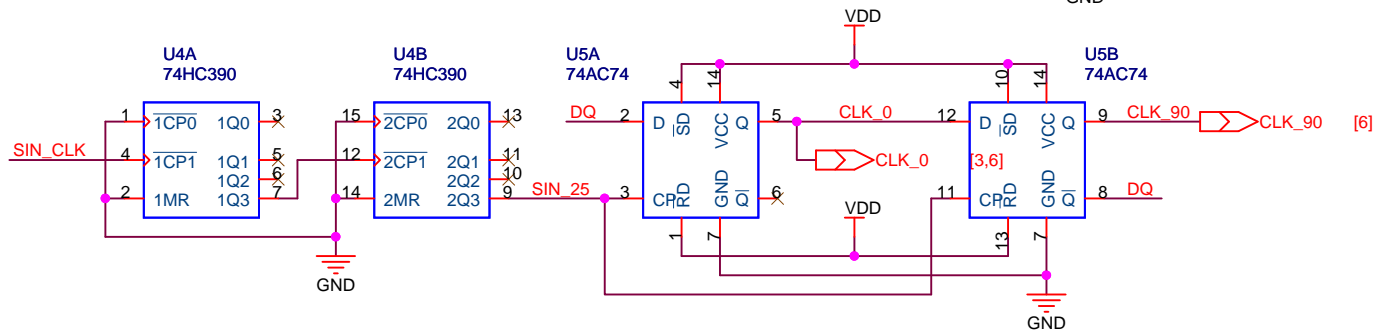
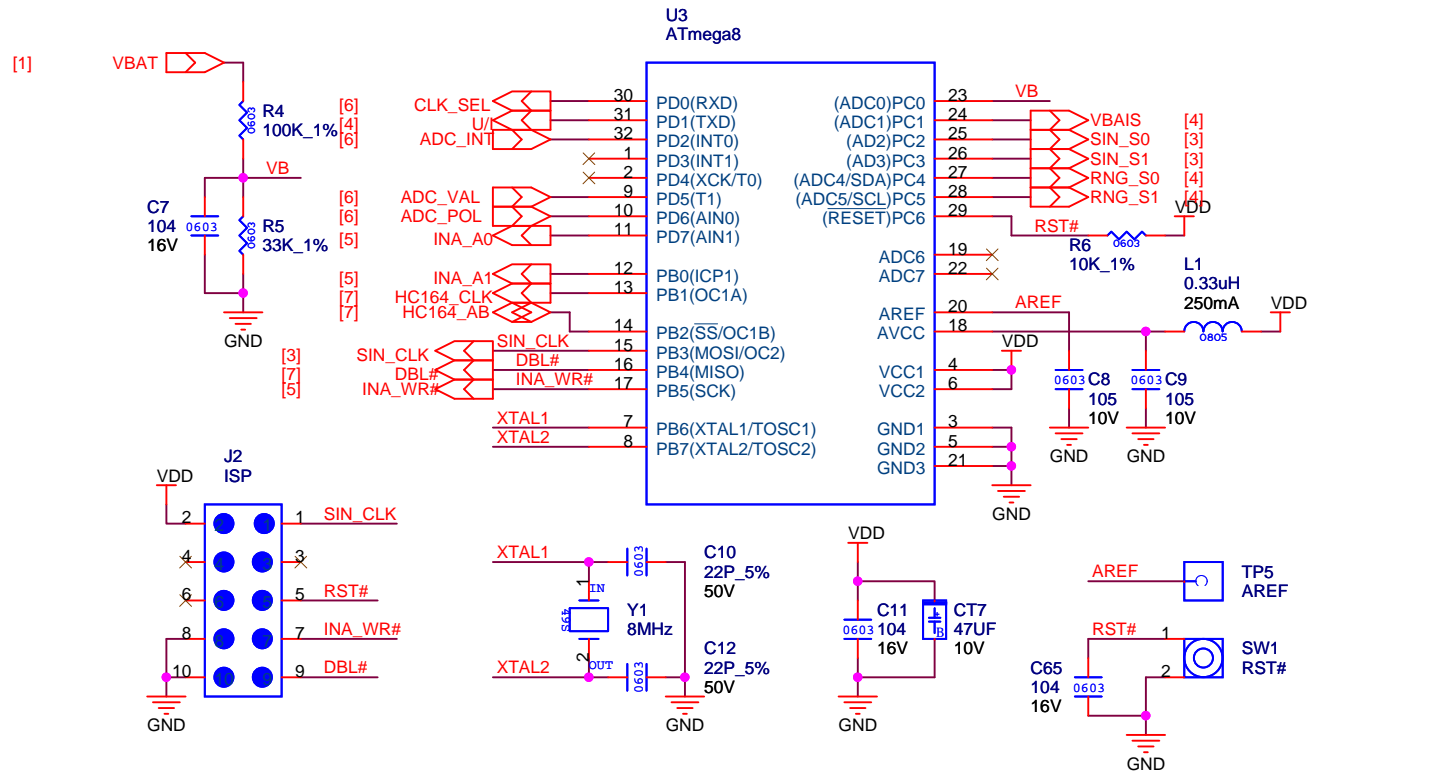
保持osc端杂散电容最小



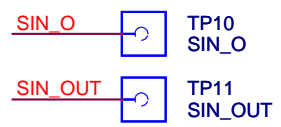
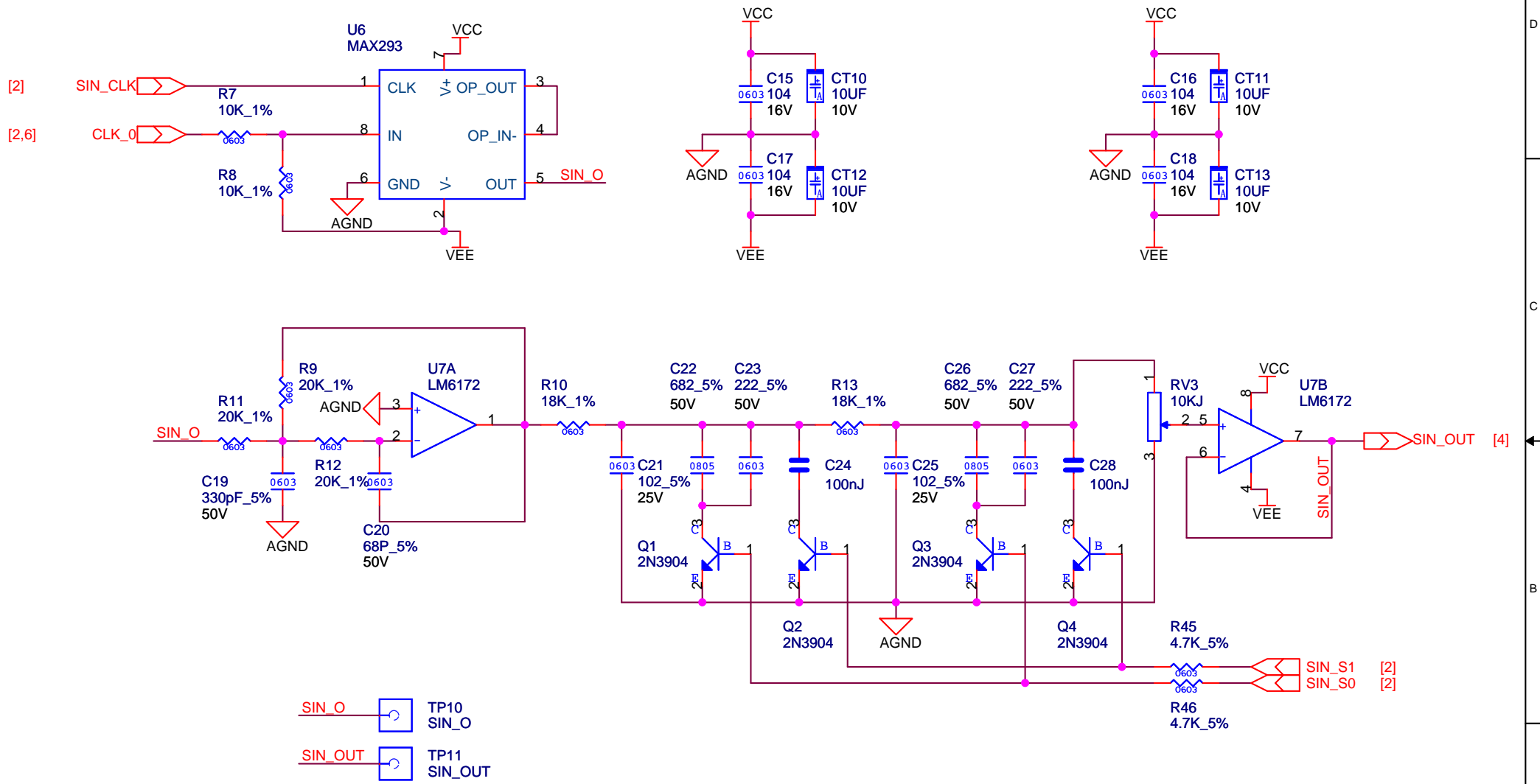
R44=Open时, Fosc=10KHz;
Close时, Fosc=80KHz.



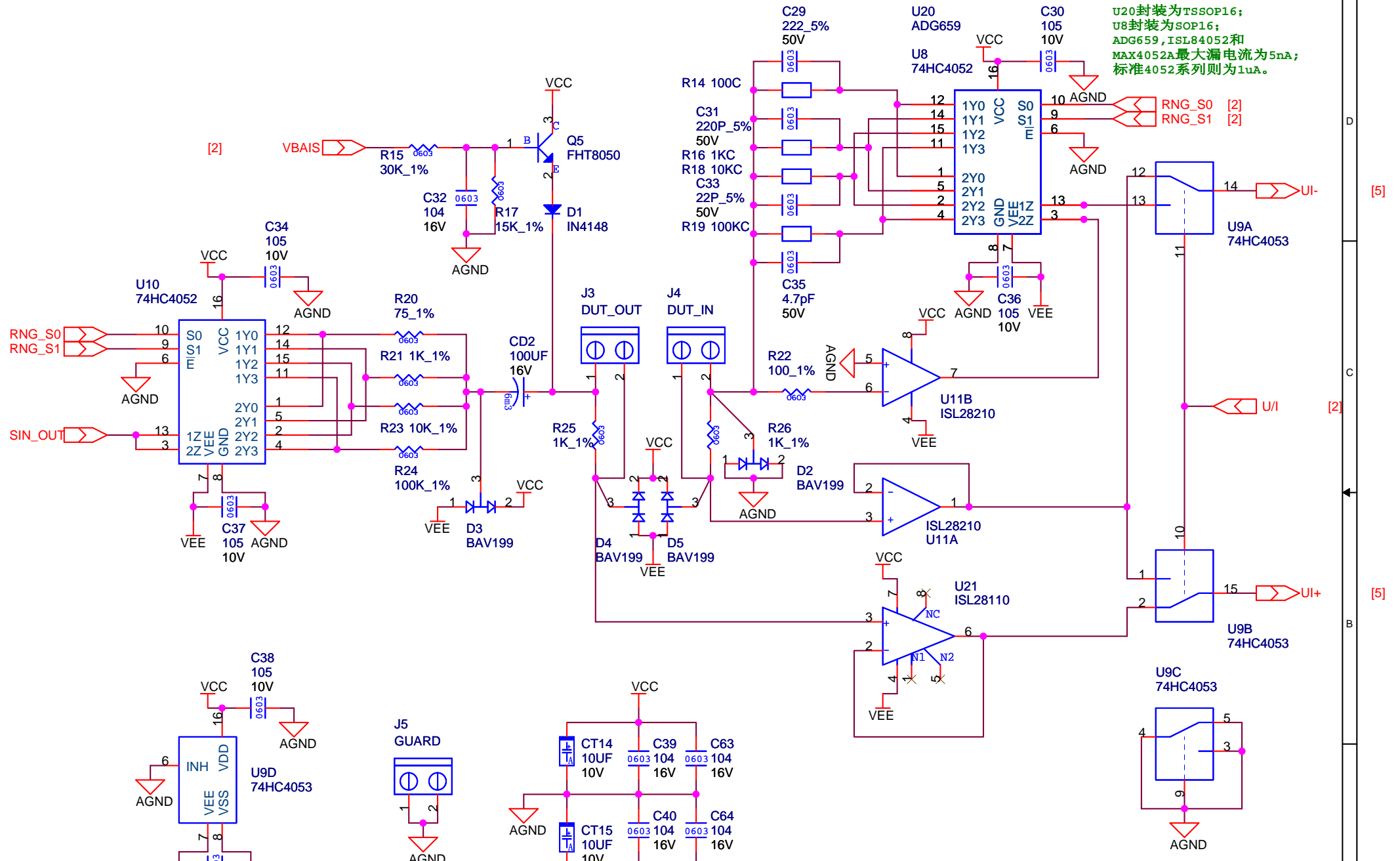
Title		
<Title>		
Size	Document Number	Rev
A	<Doc>	<RevCode>
Date: Wednesday, May 11, 2011		
Sheet 1		of 7



Title		
<Title>		
Size	Document Number	Rev
A4	<Doc>	<RevC>
Date:	Wednesday, May 11, 2011	Sheet 2 of 7

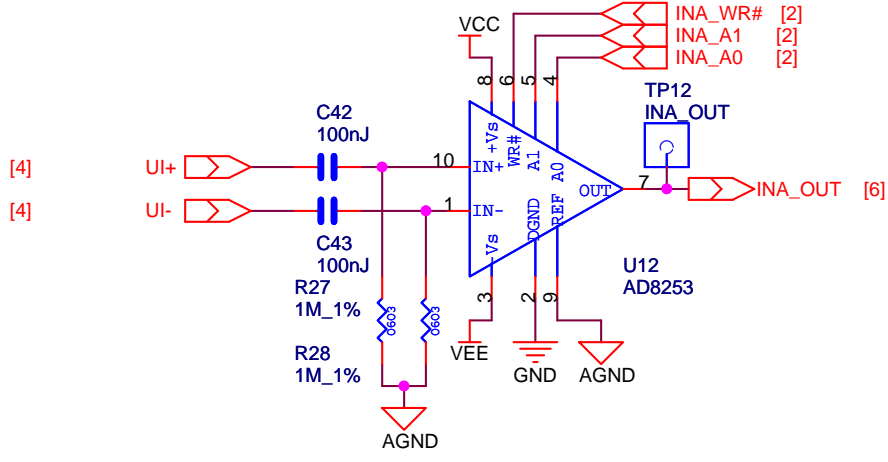


Title		
<Title>		
Size	Document Number	Rev
A	<Doc>	<RevCode>
Date: Wednesday, May 11, 2011		Sheet 3 of 7

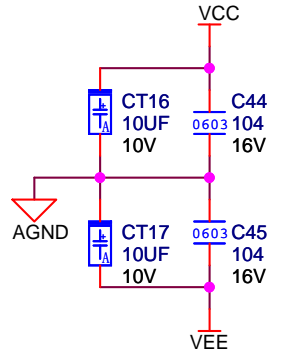


U20封装为TSSOP16;
 U8封装为SOP16;
 ADG659, ISL84052和
 MAX4052A最大漏电流为5nA;
 标准4052系列则为1uA.

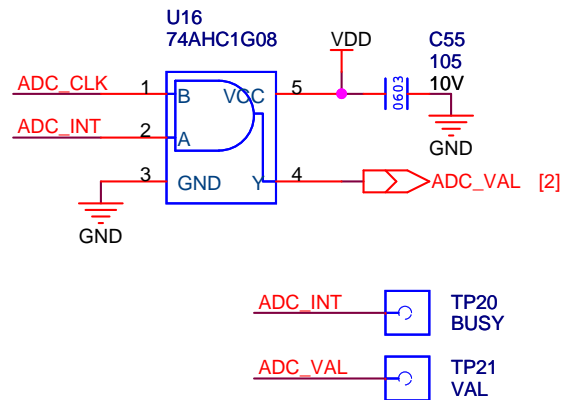
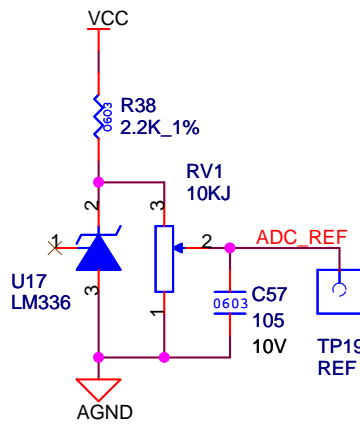
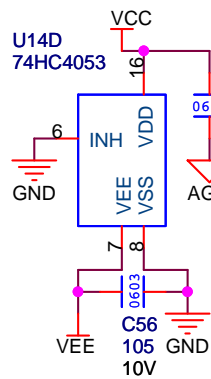
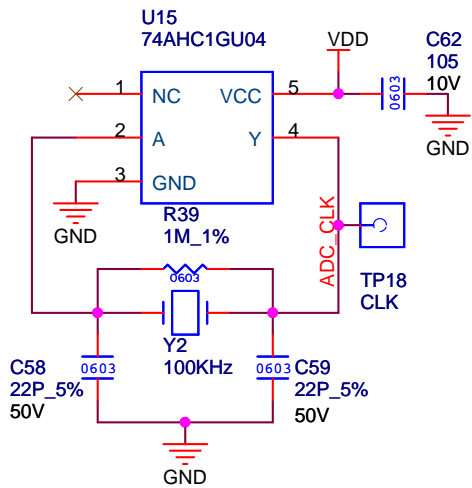
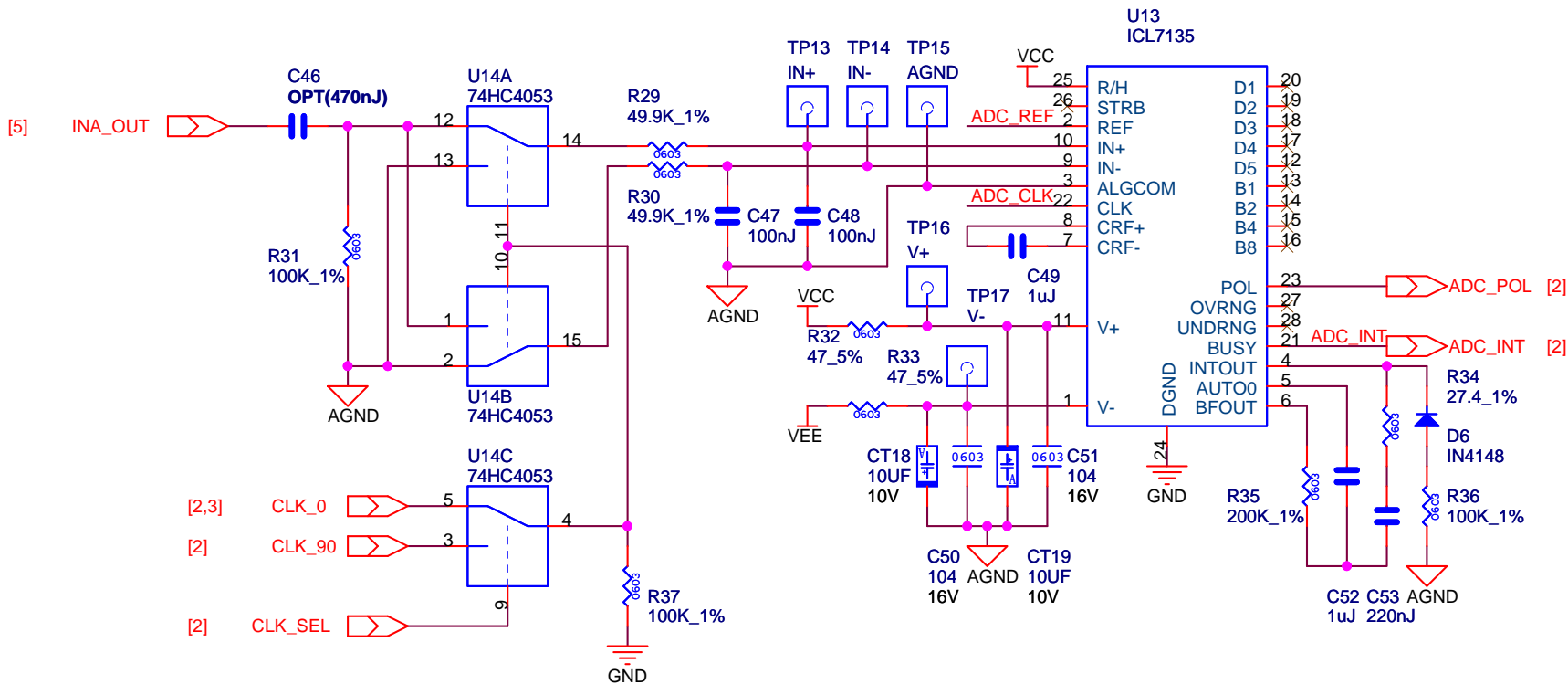
Title		
<Title>		
Size	Document Number	Rev
A	<Doc>	<RevCode>
Date:	Wednesday, May 11, 2011	Sheet 4 of 7



[4]
[4]

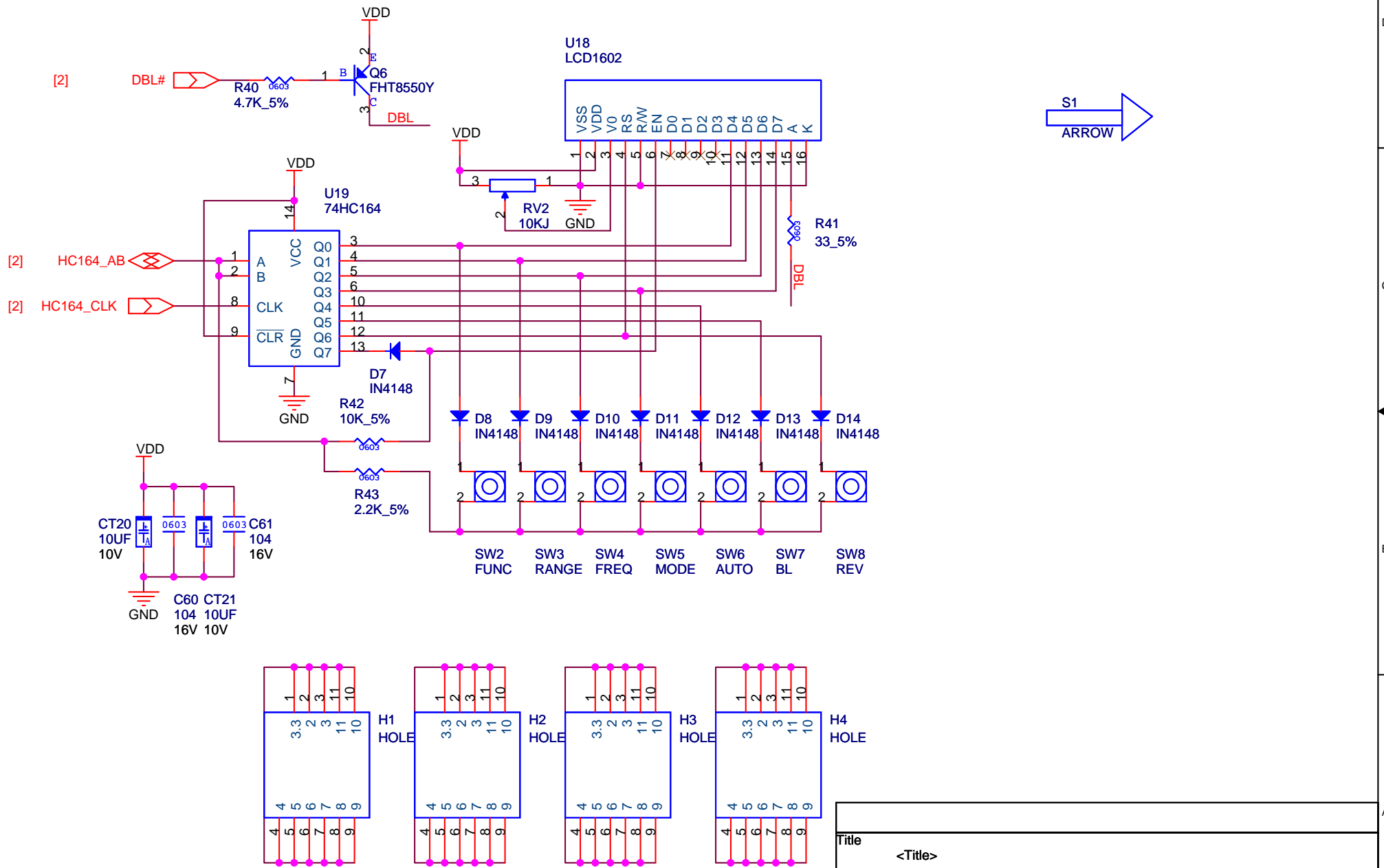


Title		
<Title>		
Size	Document Number	Rev
A	<Doc>	<RevCode>
Date:	Wednesday, May 11, 2011	Sheet 5 of 7



保持1端泄漏电流最小

Title		
<Title>		
Size	Document Number	Rev
A	<Doc>	<RevCode>
Date:	Wednesday, May 11, 2011	Sheet 6 of 7



Title		<Title>
Size	Document Number	Rev
A	<Doc>	<RevCode>
Date:	Wednesday, May 11, 2011	Sheet 7 of 7