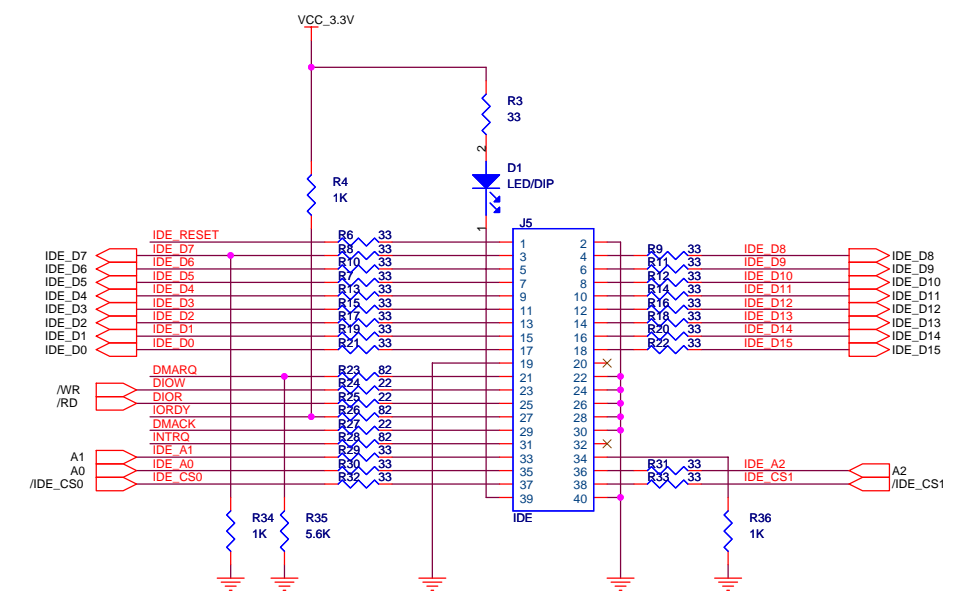
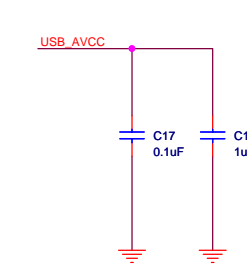
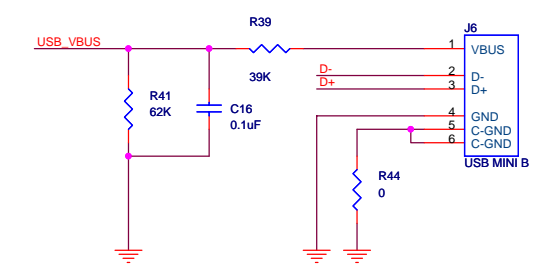
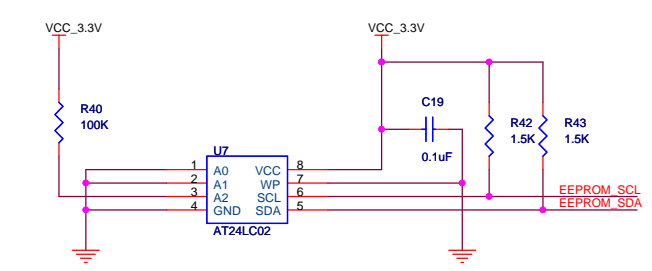
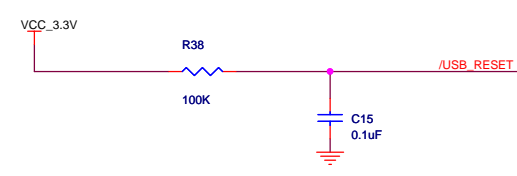
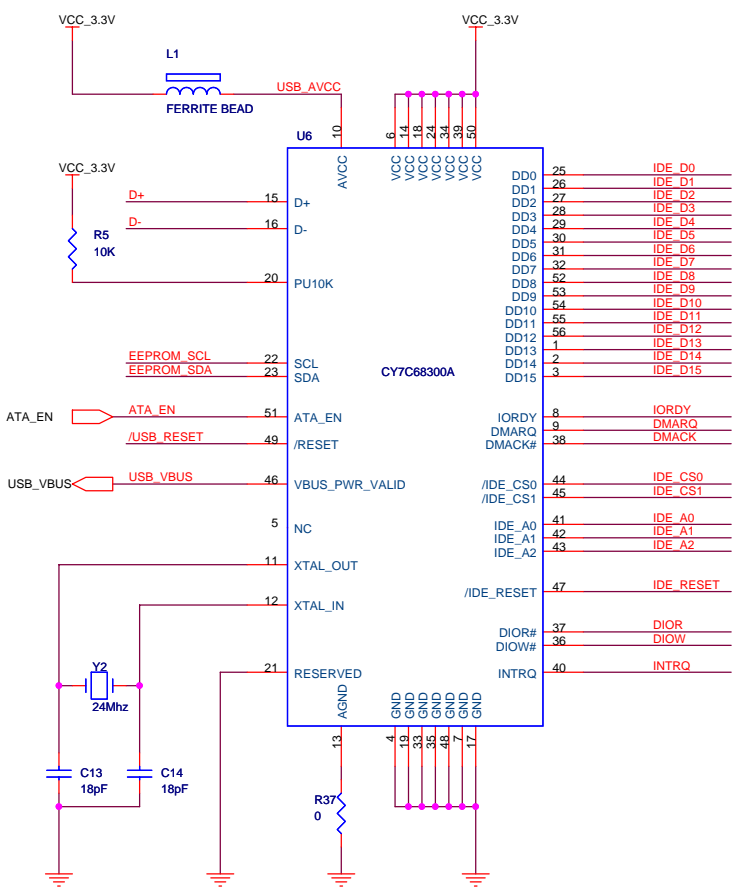
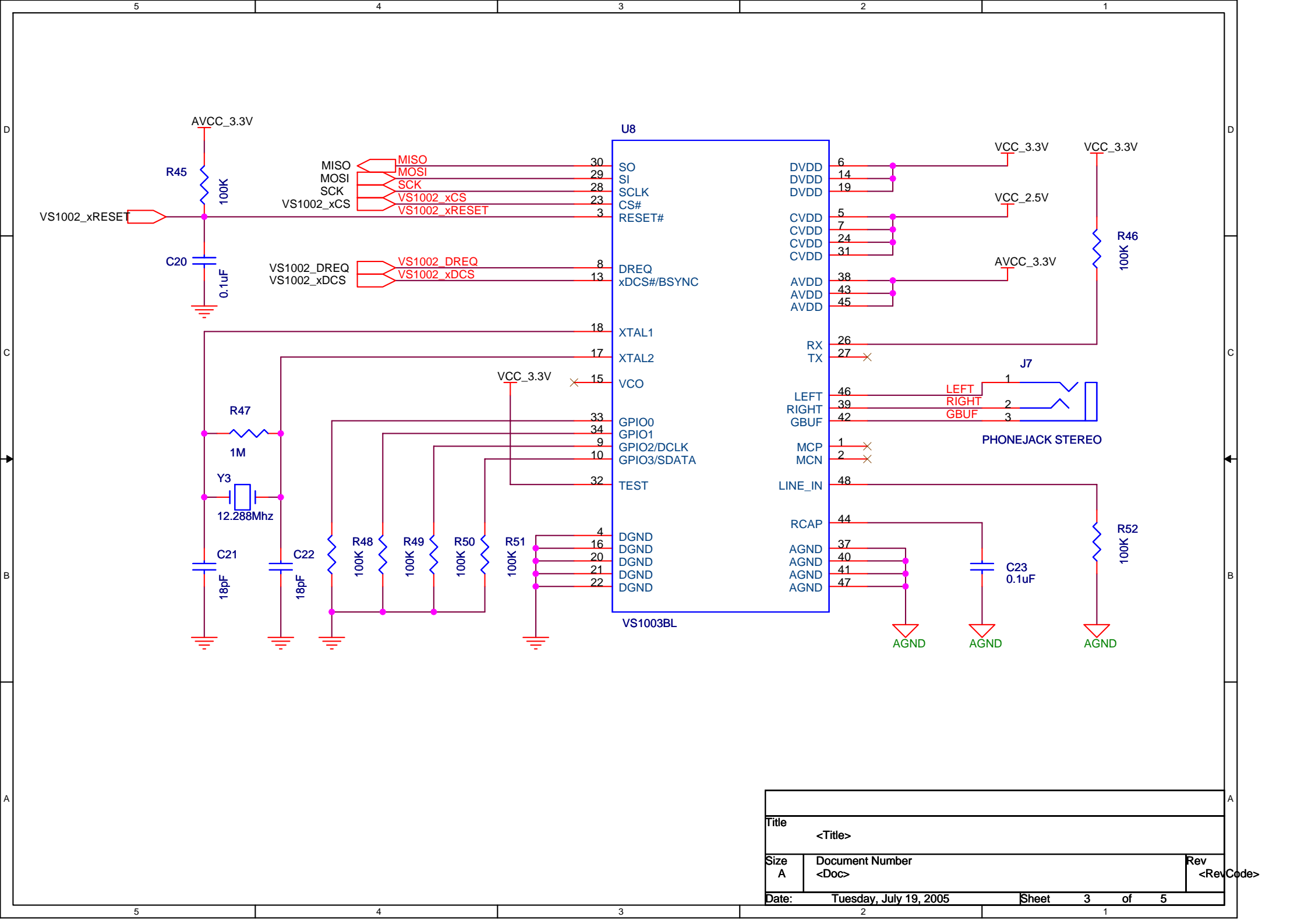


- /IDE\_CS0
- /IDE\_CS0\_1
- /IDE\_CS1
- /IDE\_CS1\_1
- /WR
- /RD
- /ALE
- SCK
- MOSI
- MISO
- ENCODER1\_A
- ENCODER1\_B
- ENCODER2\_A
- ENCODER2\_B
- /LATCH\_CS0

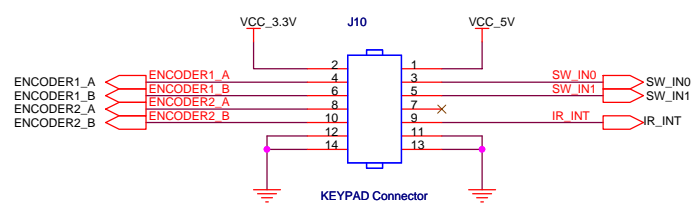
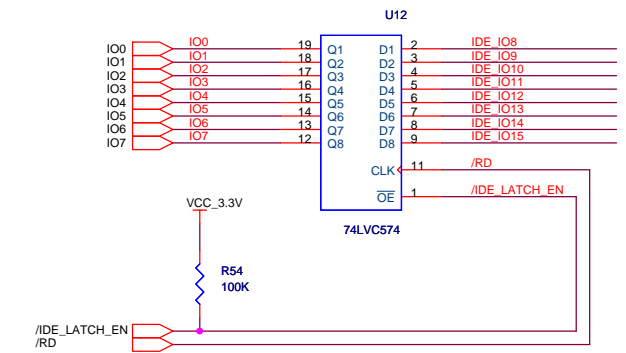
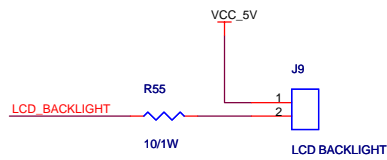
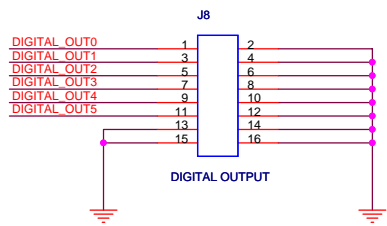
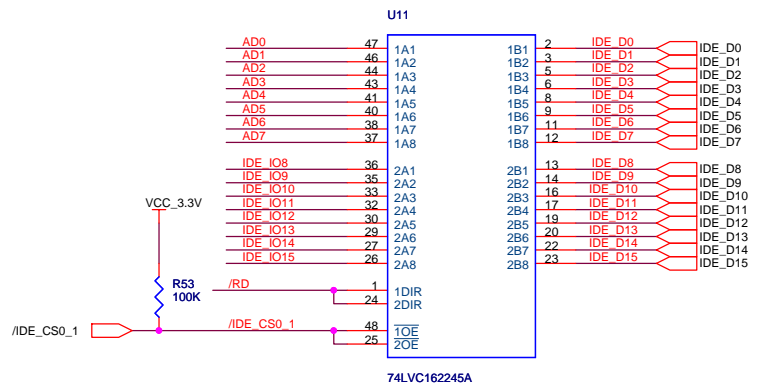
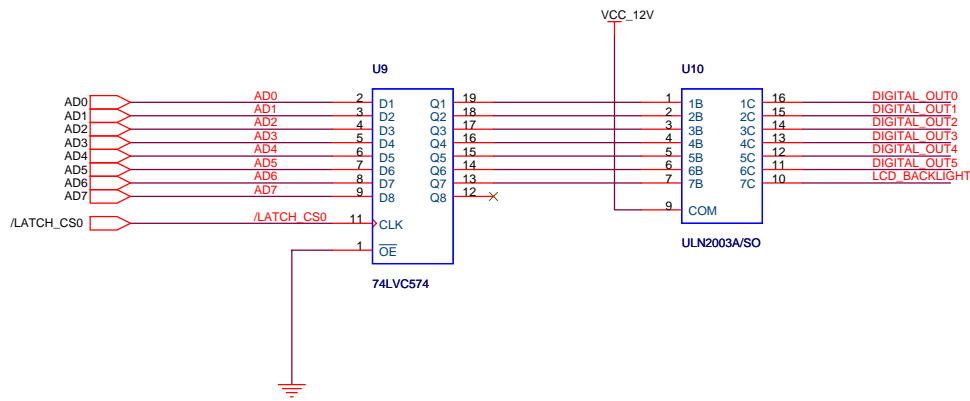
Title	<Title>	
Size	A3	Document Number
Date:	Monday, July 25, 2005	Sheet 1 of 5



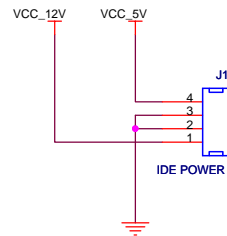
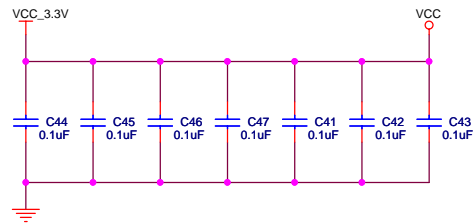
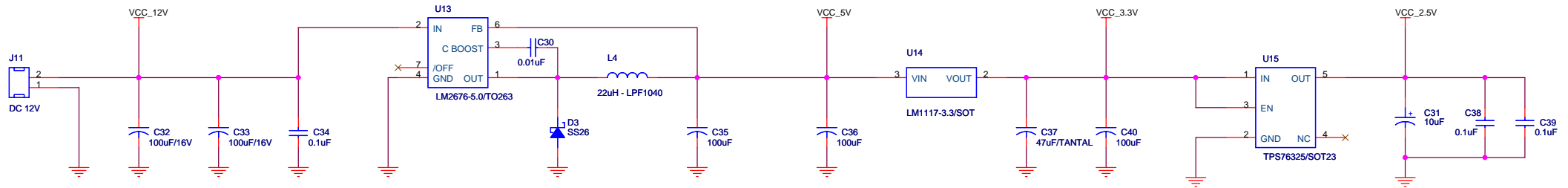
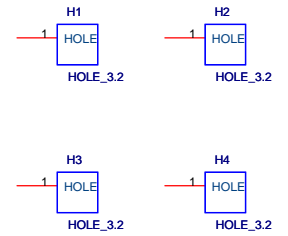
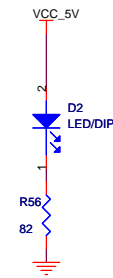
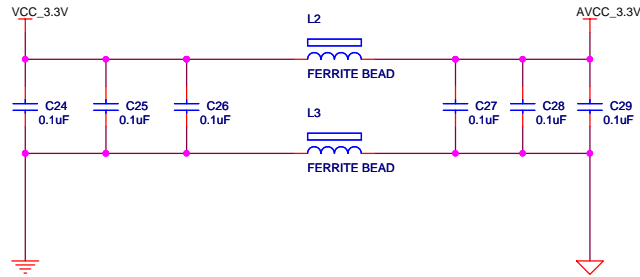
Title		MP3 Jukebox Kit IDE
Size	A3	Document Number
Date:	Tuesday, July 19, 2005	Sheet 2 of 5
Rev	1.4	



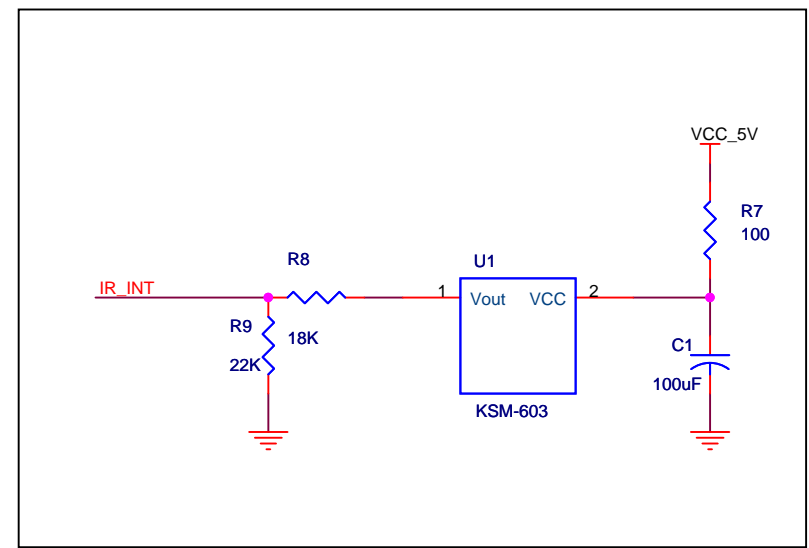
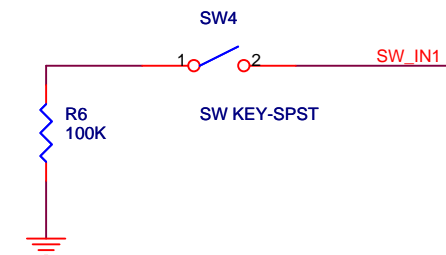
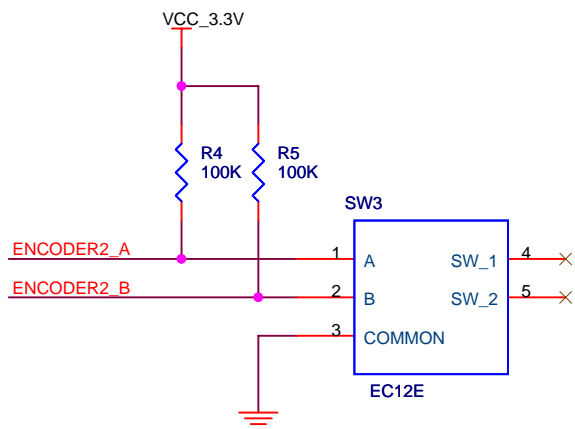
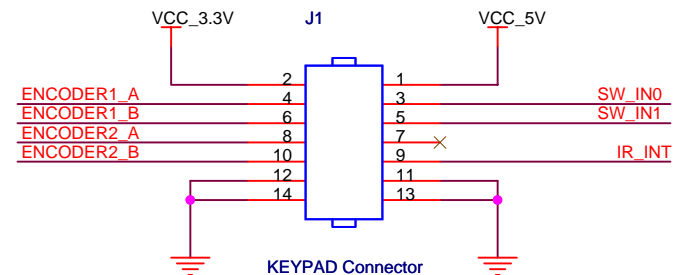
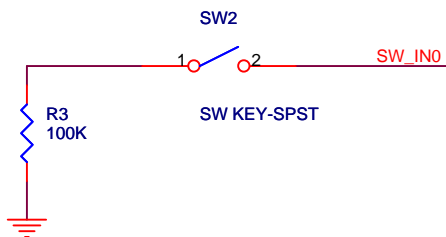
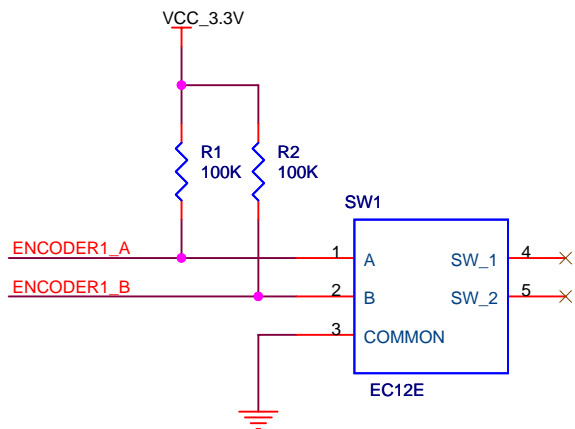
Title		
<Title>		
Size	Document Number	Rev
A	<Doc>	<RevCode>
Date:	Tuesday, July 19, 2005	Sheet 3 of 5



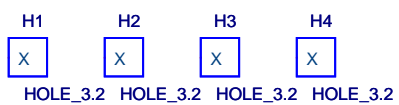
Title		
MP3 Jukebox Kit IDE Version		
Size	Document Number	Rev
A3	<Doc>	<Rev Code>
Date:	Wednesday, July 27, 2005	Sheet 4 of 5



Title	<Title>	
Size	Document Number	Rev
A3	<Doc>	<Rev Code>
Date:	Tuesday, July 19, 2005	Sheet 5 of 5



**\* NOT USED IN THIS VERSION**



Title		
MP3 Player KIT IDE Version		
Size	Document Number	Rev
A4	Keypad	<RevC
Date:	Thursday, July 28, 2005	Sheet 1 of 1