

D

D

C

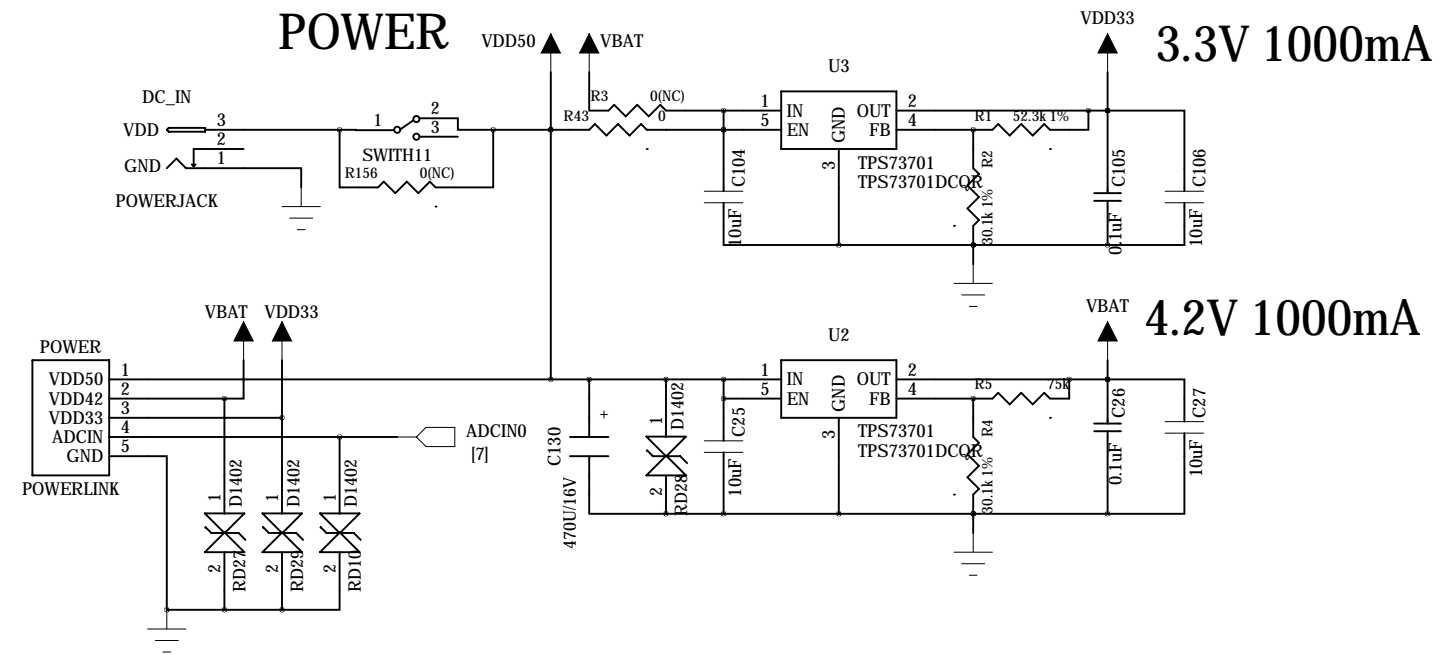
C

B

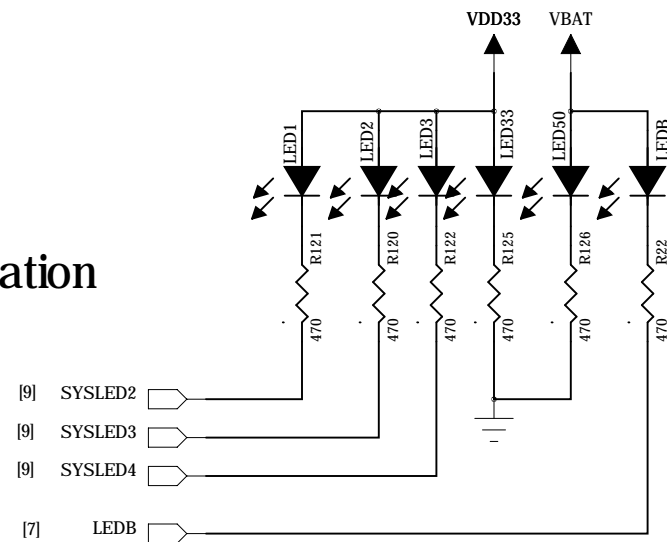
B

A

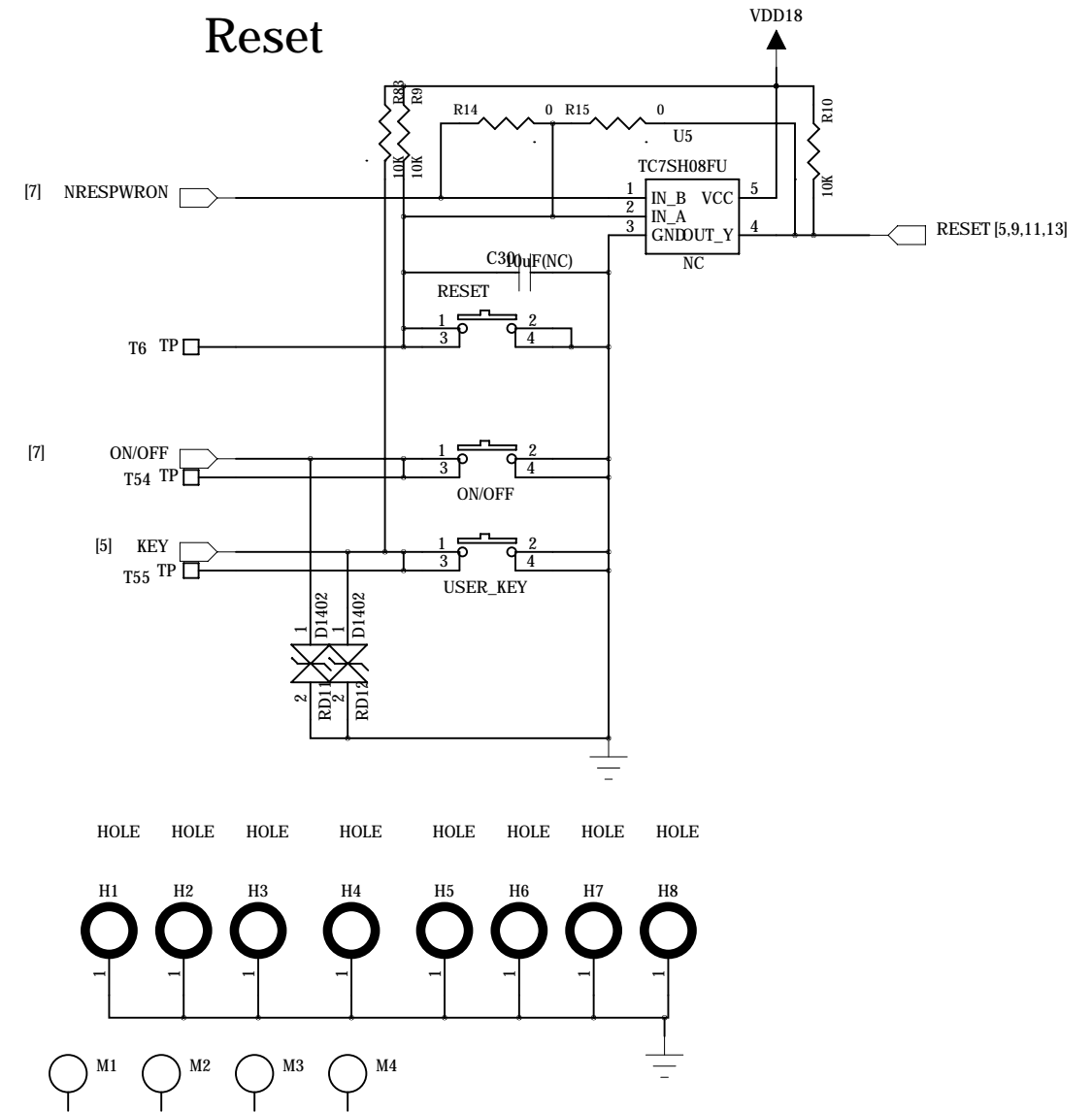
A



Indication



Reset



COMPANY: Embest info&Tech Co.,LTD		
TITLE: Embest_TI_OMAP_EVM 081100		
P/N: <CODE>		REV: 1.0
Design by: Yangzx	Checked by: zhudapeng	Approved by:
DATED: 2008/11/03	DATED: 2008/11/10	DATED: 2008/11/25
SCALE: N/A	SIZE: B	SHEET: 3 OF 14

D

D

C

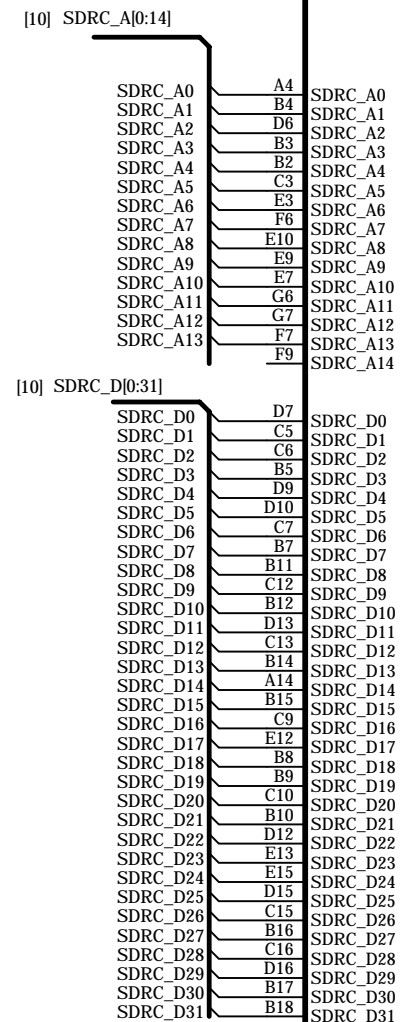
C

B

B

A

A



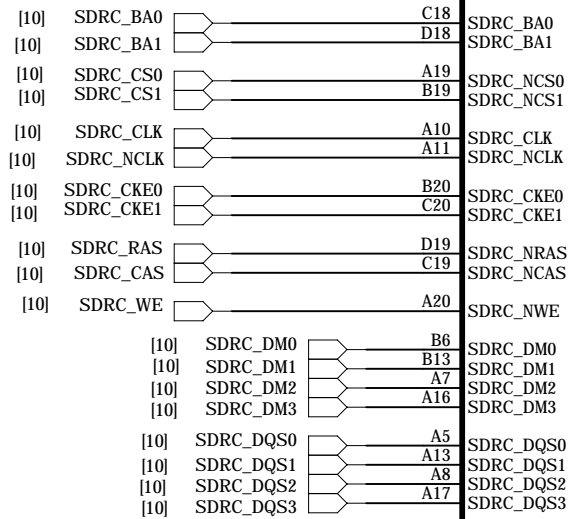
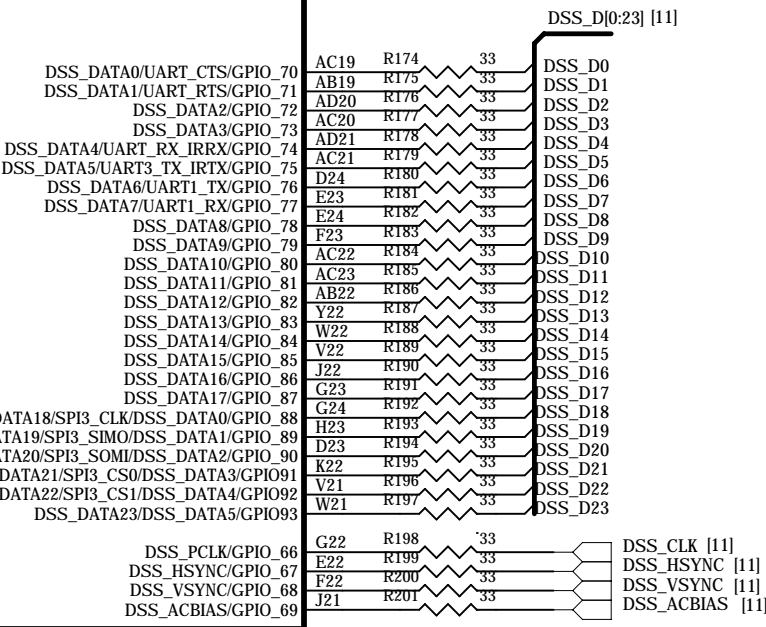
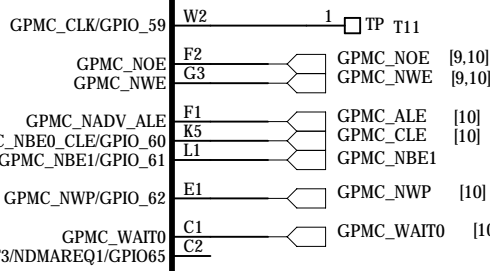
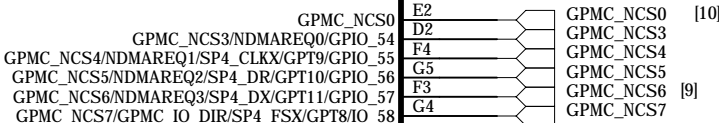
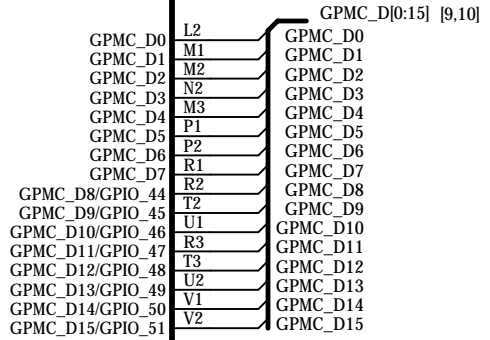
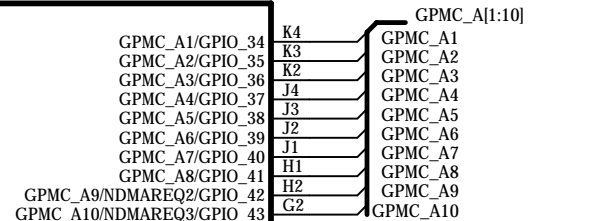
DDR

GPMC

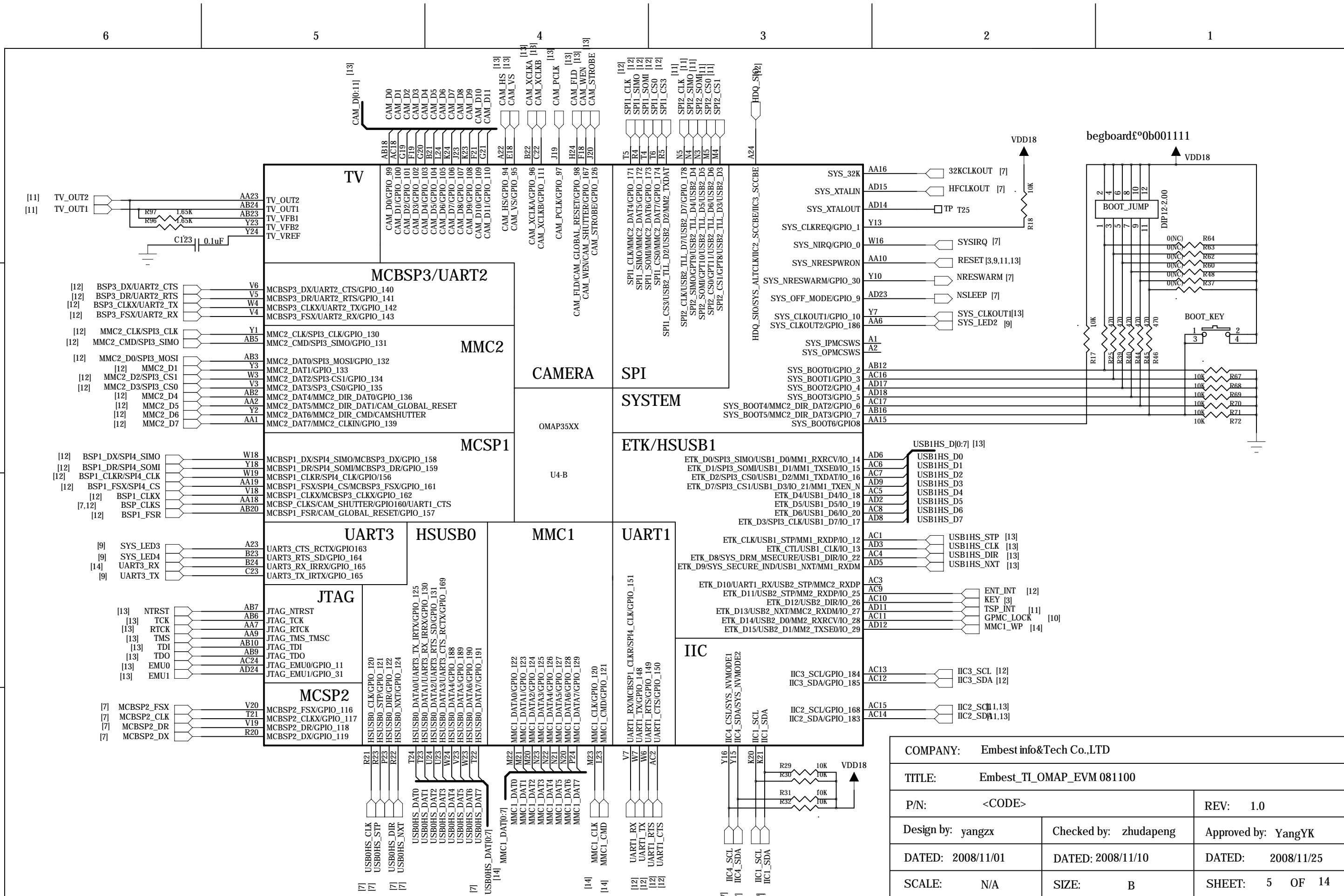
OMAP35XX
OMAP3530 B CUS

U4-A

DSS



COMPANY: Embest info&Tech Co.,LTD		
TITLE: Embest_TI_OMAP_EVM 081100		
P/N: <CODE>	REV: 1.0	
Design by: yangzx	Checked by: zhudapeng	Approved by: YangYK
DATED: 2008/11/01	DATED: 2008/11/10	DATED: 2008/11/25
SCALE: N/A	SIZE: B	SHEET: 4 OF 14



COMPANY: Embest info&Tech Co.,LTD		
TITLE: Embest_TI_OMAP_EVM 081100		
P/N: <CODE>	REV: 1.0	
Design by: yangzx	Checked by: zhudapeng	Approved by: YangYK
DATED: 2008/11/01	DATED: 2008/11/10	DATED: 2008/11/25
SCALE: N/A	SIZE: B	SHEET: 5 OF 14

D

D

C

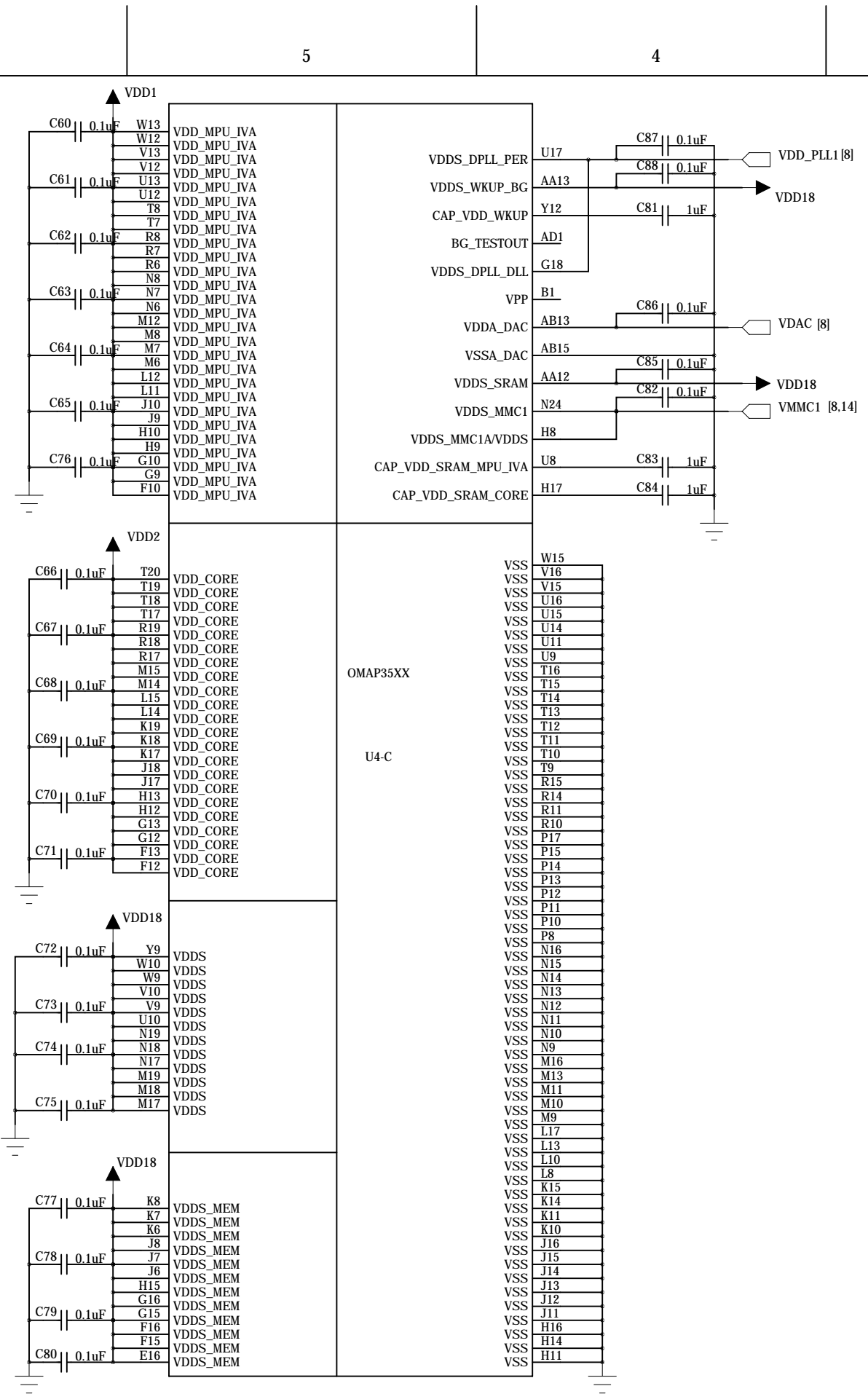
C

B

B

A

A



COMPANY: Embest info&Tech Co.,LTD		
TITLE: Embest_TI_OMAP_EVM 081100		
P/N: <CODE>		REV: 1.0
Design by: yangzx	Checked by: zhudapeng	Approved by: YangYK
DATED: 2008/11/01	DATED: 2008/11/10	DATED: 2008/11/25
SCALE: N/A	SIZE: B	SHEET: 6 OF 14

6

5

4

3

2

1

D

D

C

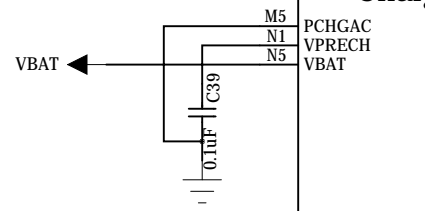
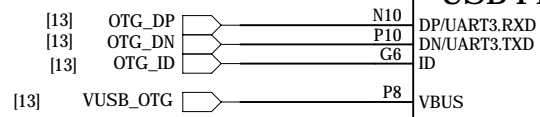
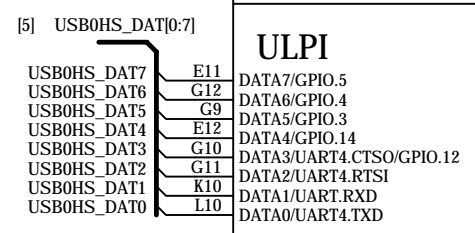
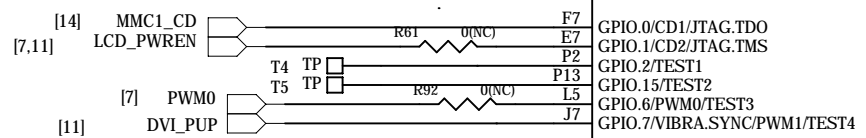
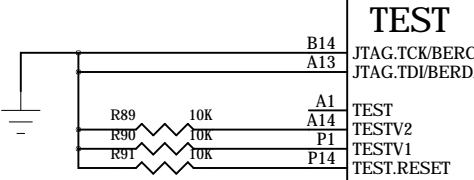
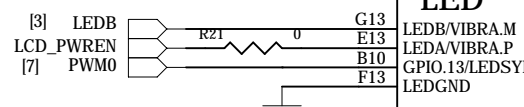
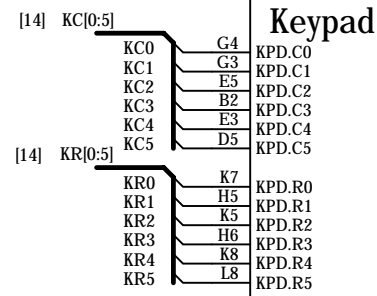
C

B

B

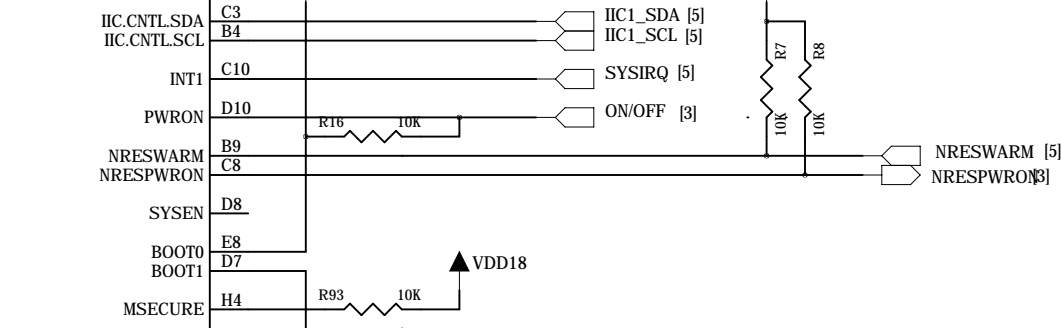
A

A

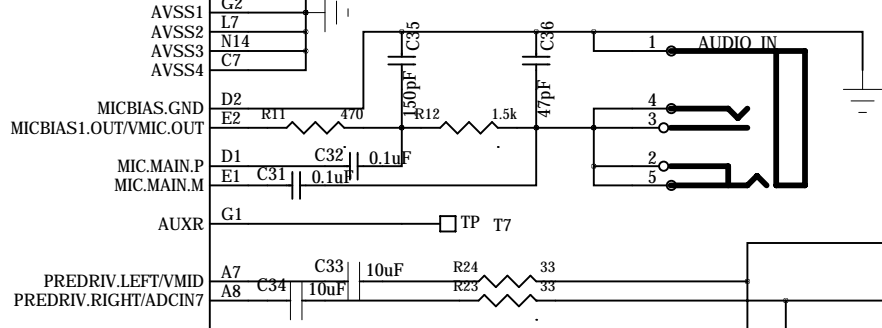


U1-A
TPS65930

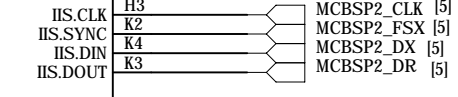
CONTROL



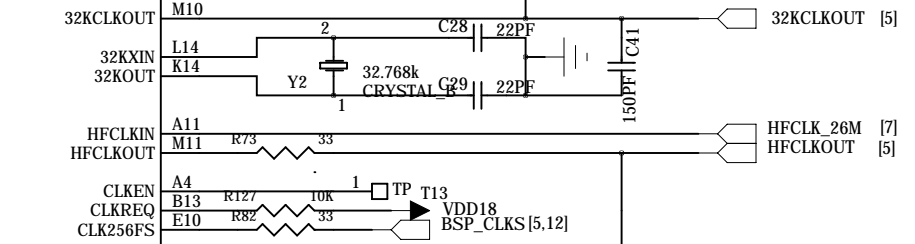
AUDIO



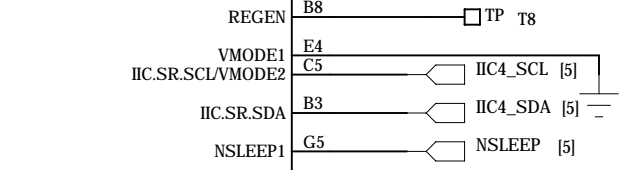
TDM



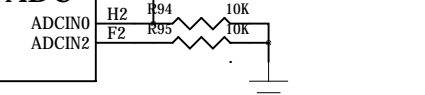
CLOCK



Power control

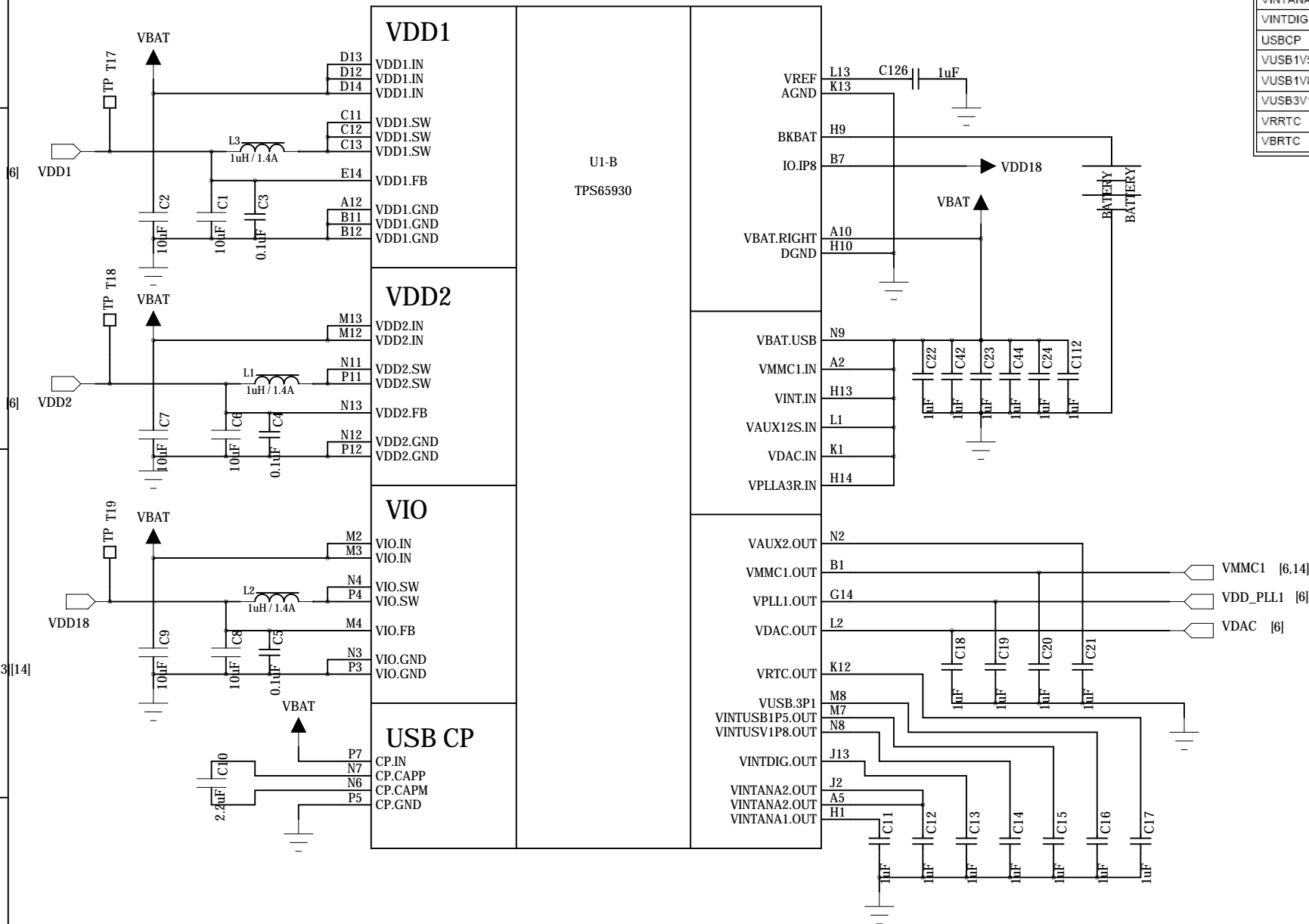


ADC



COMPANY: Embest info&Tech Co.,LTD		
TITLE: Embest_TI_OMAP_EVM 081100		
P/N: <CODE>	REV: 1.0	
Design by: yangzx	Checked by: zhudapeng	Approved by: YangYK
DATED: 2008/11/01	DATED: 2008/11/10	DATED: 2008/11/25
SCALE: N/A	SIZE: B	SHEET: 7 OF 14

Name	Usage	Type	Voltage Range (V)	Default Voltage	Maximum Current
VAUX2	External	LDO	1.3, 1.5, 1.7, 1.8, 1.9, 2.0, 2.1, 2.2, 2.3, 2.4, 2.5, 2.8	1.8 V	100 mA
VMMC1	External	LDO	1.85, 2.85, 3.0, 3.15	3.0 V	220 mA
VPLL1	External	LDO	1.0, 1.2, 1.3, 1.8, 2.8, 3.0	1.8 V	40 mA
VDAC	External	LDO	1.2, 1.3, 1.8	1.8 V	70 mA
VIO	External	SMPS	1.8, 1.85	1.8 V	600 mA
VDD1	External	SMPS	0.6 ... 1.45	1.2 V	1100 mA
VDD2	External	SMPS	0.6 ... 1.5	1.2 V	600 mA
VINTANA1	Internal	LDO	1.5	1.5 V	50 mA
VINTANA2	Internal	LDO	2.5, 2.75	2.75 V	150 mA
VINTDIG	Internal	LDO	1.0, 1.2, 1.3, 1.5	1.5 V	100 mA
USBBCP	Internal	Charge pump	5	5 V	100 mA
VUSB1V5	Internal	LDO	1.5	1.5 V	30 mA
VUSB1V8	Internal	LDO	1.8	1.8 V	30 mA
VUSB3V1	Internal	LDO	3.1	3.1 V	15 mA
VVRTC	Internal	LDO	1.5	1.5 V	30 mA
VBRTC	Internal	LDO	1.3	1.3 V	100 µA



COMPANY: Embest info&Tech Co.,LTD		
TITLE: Embest_TI_OMAP_EVM 081100		
P/N: <CODE>	REV: 1.0	
Design by: yangzx	Checked by: zhudapeng	Approved by: YangYK
DATED: 2008/11/01	DATED: 2008/11/10	DATED: 2008/11/25
SCALE: N/A	SIZE: B	SHEET: 8 OF 14

D

D

C

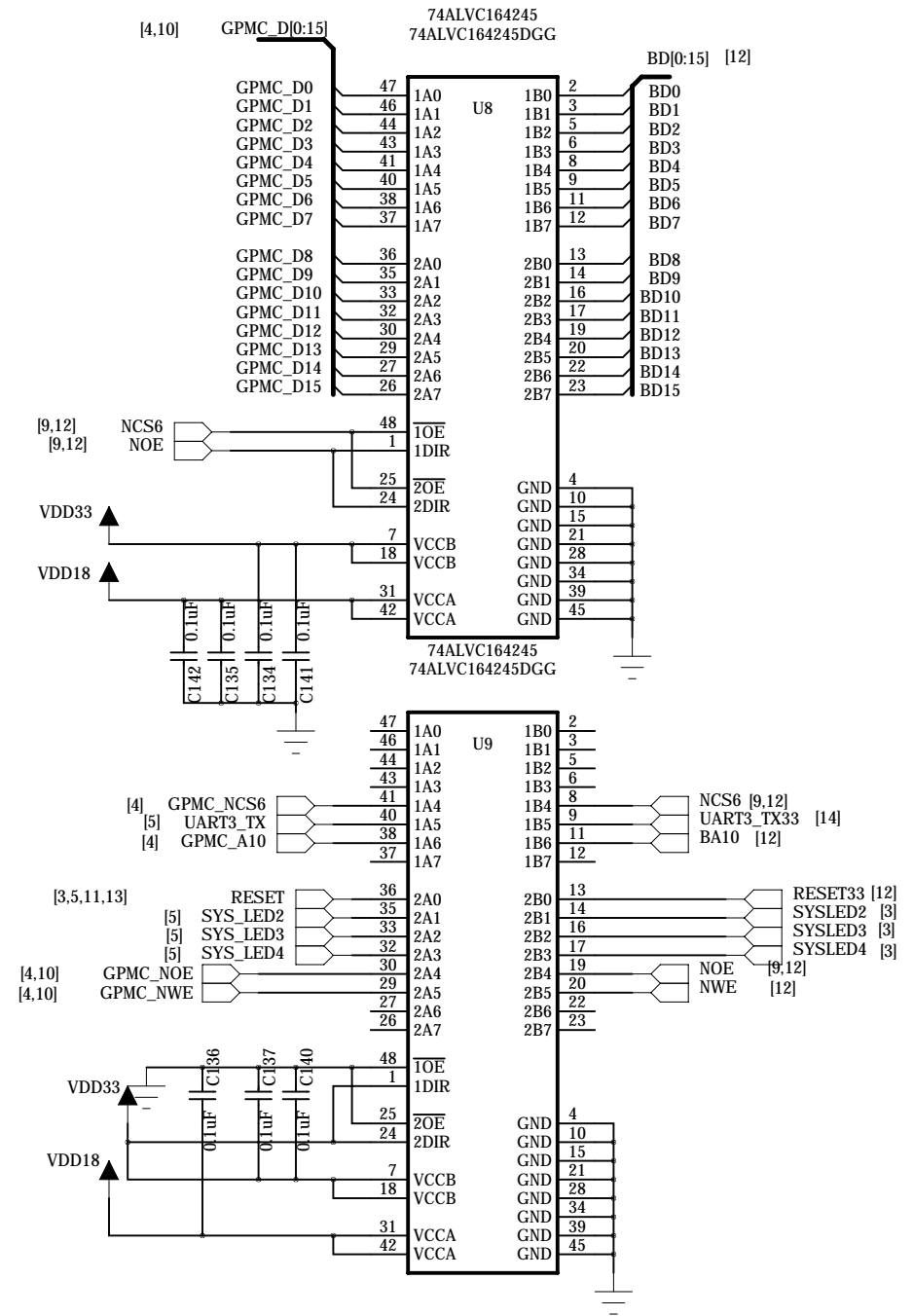
C

B

B

A

A



COMPANY: Embest info&Tech Co.,LTD		
TITLE: Embest_TI_OMAP_EVM 081100		
P/N: <CODE>	REV: 1.0	
Design by: yangzx	Checked by: zhudapeng	Approved by: YangYK
DATED: 2008/11/01	DATED: 2008/11/10	DATED: 2008/11/25
SCALE: N/A	SIZE: B	SHEET: 9 OF 14

D

D

C

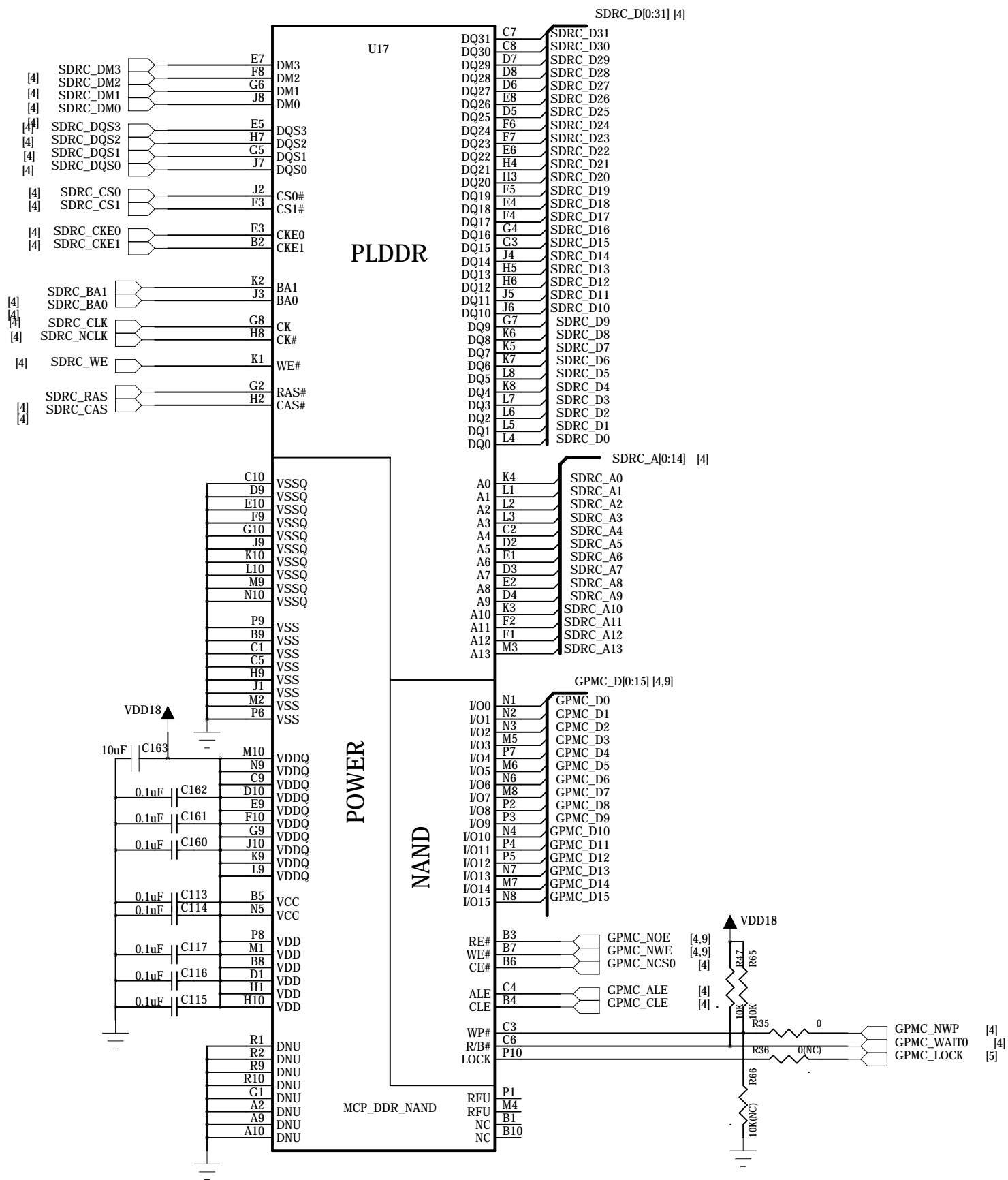
C

B

B

A

A



COMPANY: Embest info&Tech Co.,LTD		
TITLE: Embest_TI_OMAP_EVM 081100		
P/N: <CODE>	REV: 1.0	
Design by: yangzx	Checked by: zhudapeng	Approved by: YangYK
DATED: 2008/11/01	DATED: 2008/11/10	DATED: 2008/11/25
SCALE: N/A	SIZE: B	SHEET: 10 OF 14

D

D

C

C

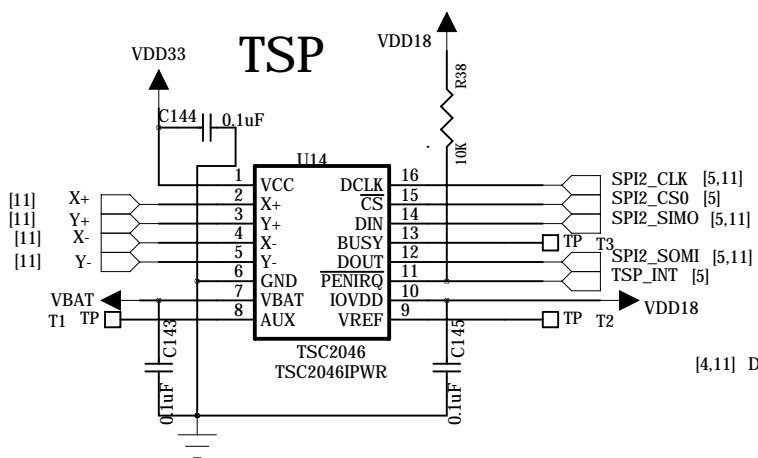
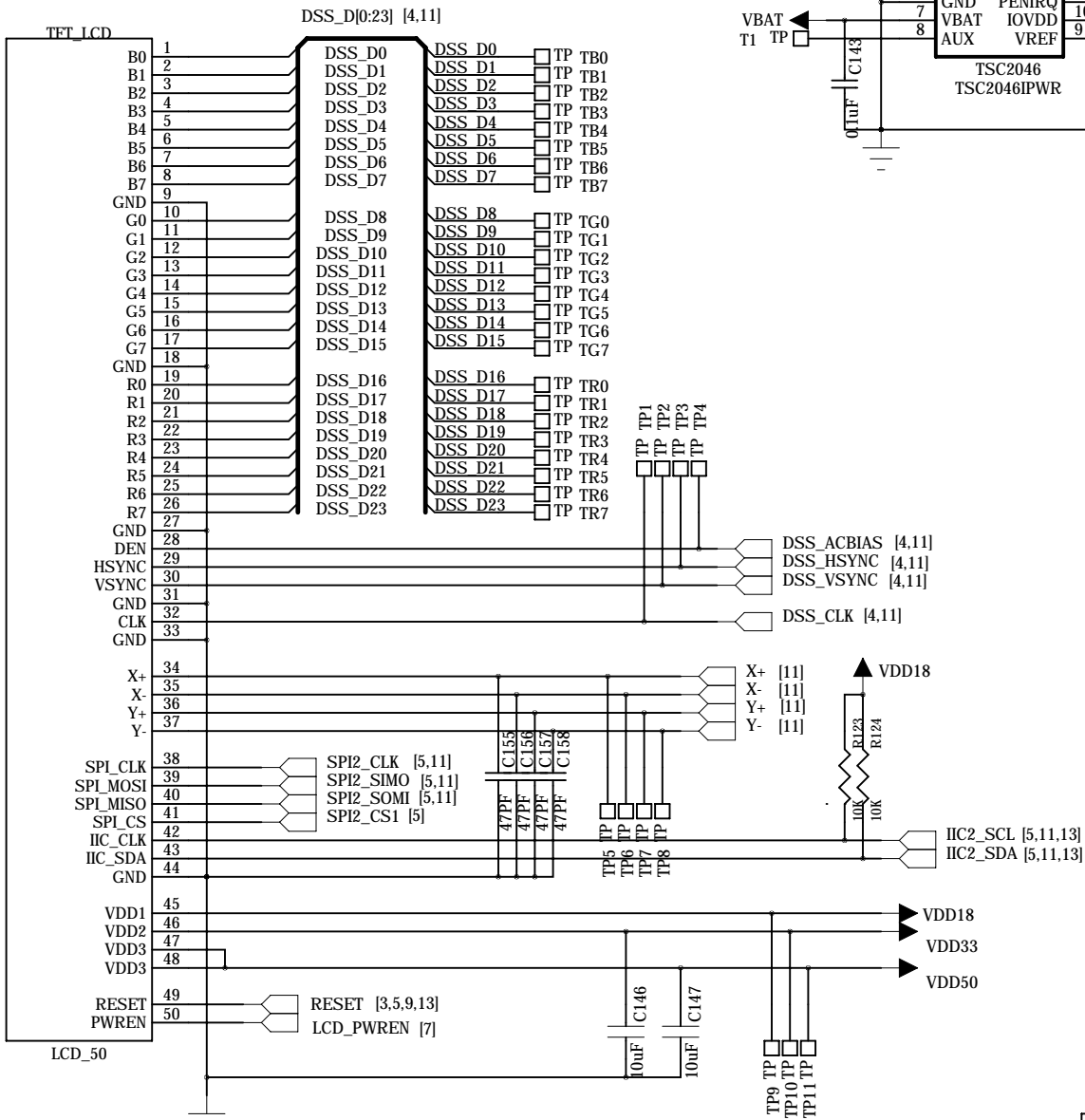
B

B

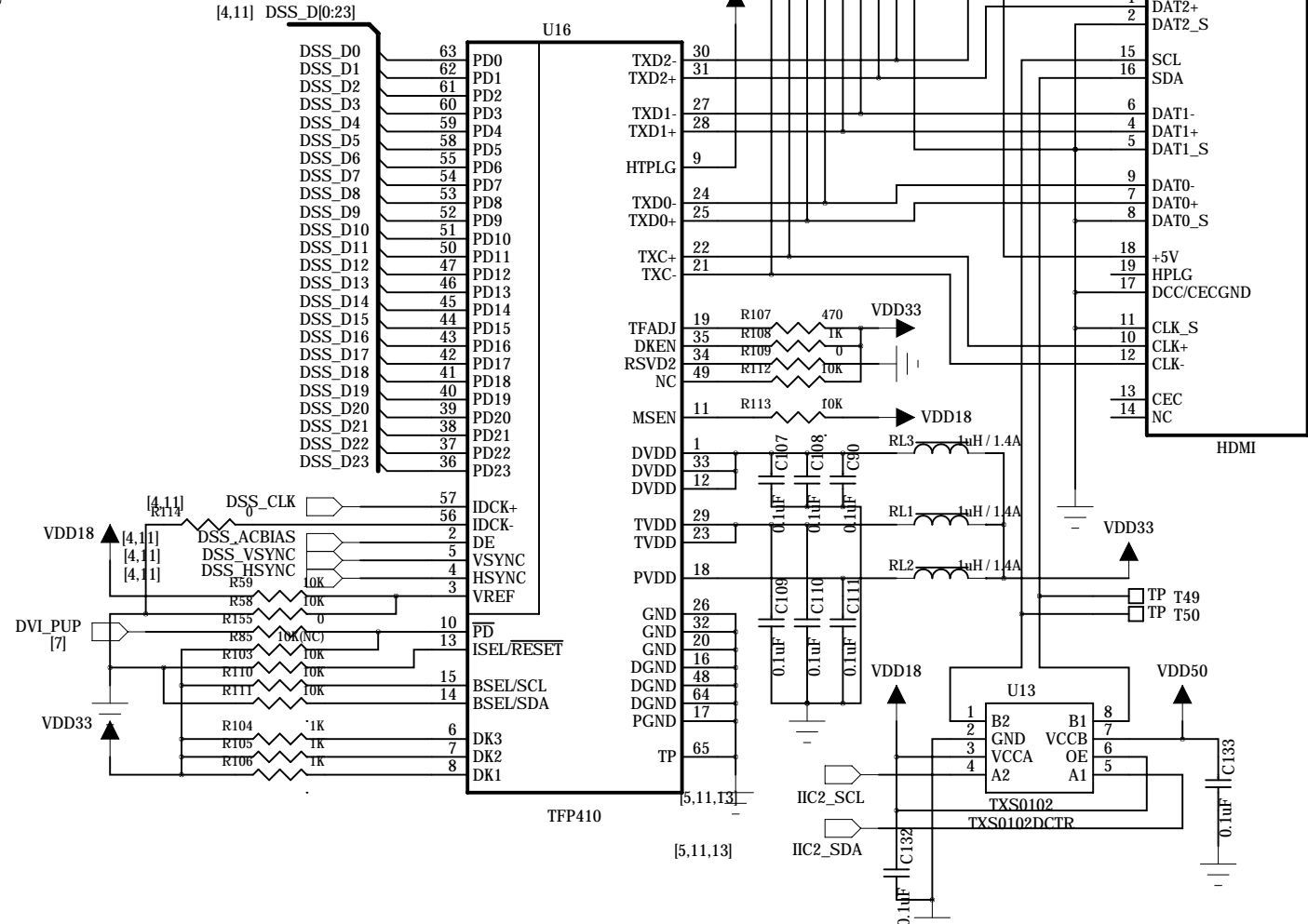
A

A

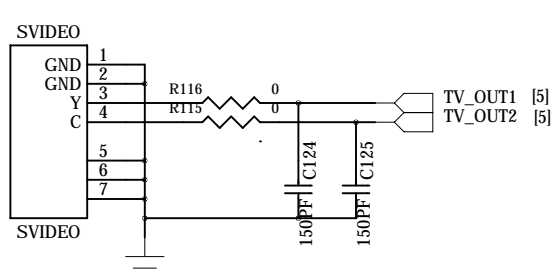
LCD



DVI



SVIDEO



COMPANY: Embest info&Tech Co.,LTD		
TITLE: Embest_TI_OMAP_EVM 081100		
P/N: <CODE>	REV: 1.0	
Design by: yangzx	Checked by: zhudapeng	Approved by: YangYK
DATED: 2008/11/01	DATED: 2008/11/10	DATED: 2008/11/25
SCALE: N/A	SIZE: B	SHEET: 11 OF 14

D

D

C

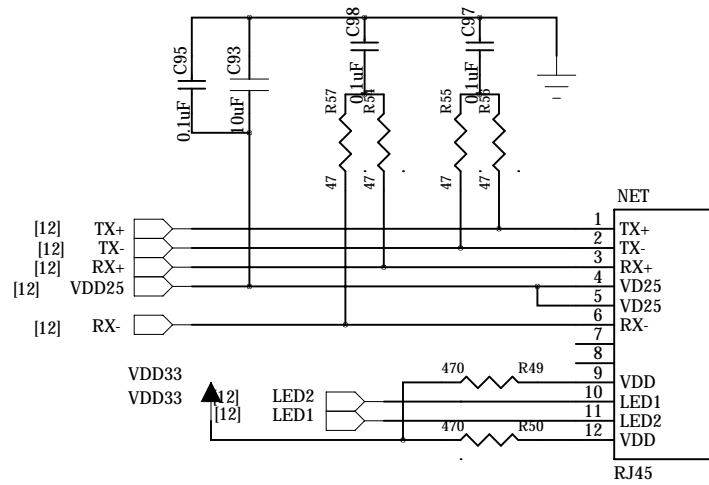
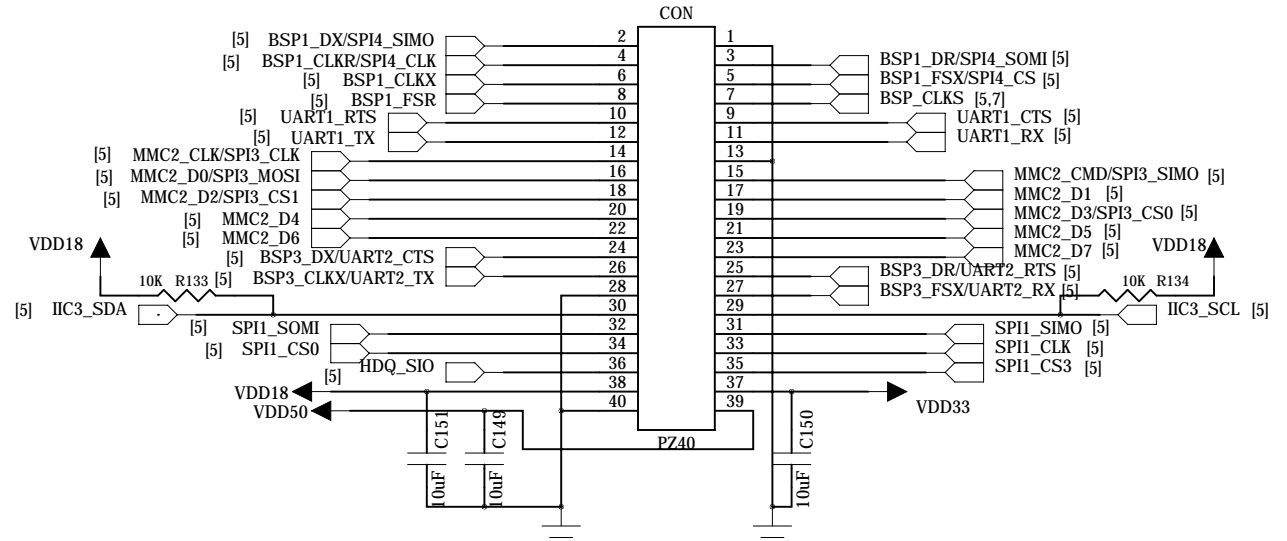
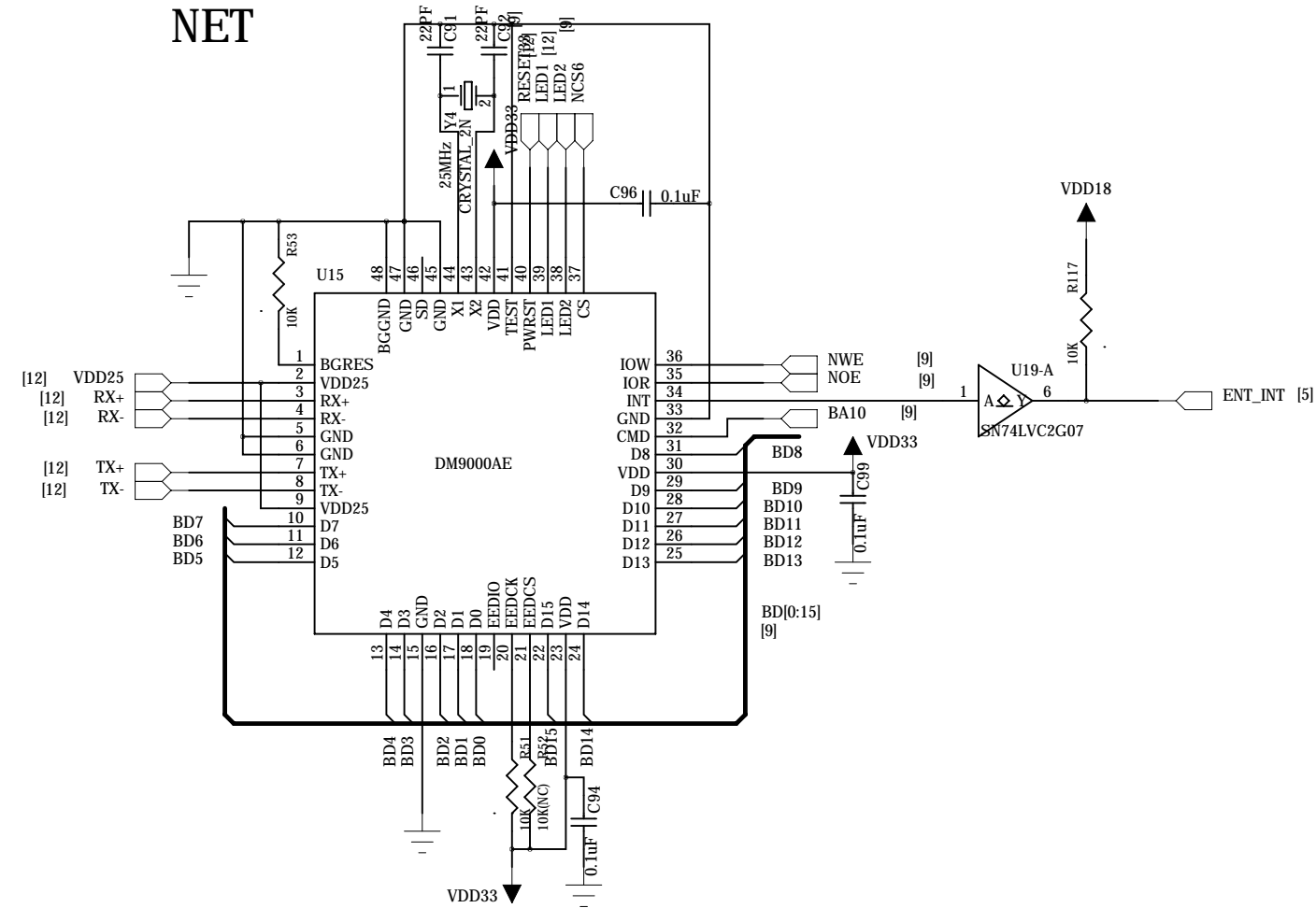
C

B

B

A

A



COMPANY: Embest info&Tech Co.,LTD		
TITLE: Embest_TI_OMAP_EVM 081100		
P/N: <CODE>	REV: 1.0	
Design by: yangzx	Checked by: zhudapeng	Approved by: YangYK
DATED: 2008/11/01	DATED: 2008/11/10	DATED: 2008/11/25
SCALE: N/A	SIZE: B	SHEET: 12 OF 14

D

D

C

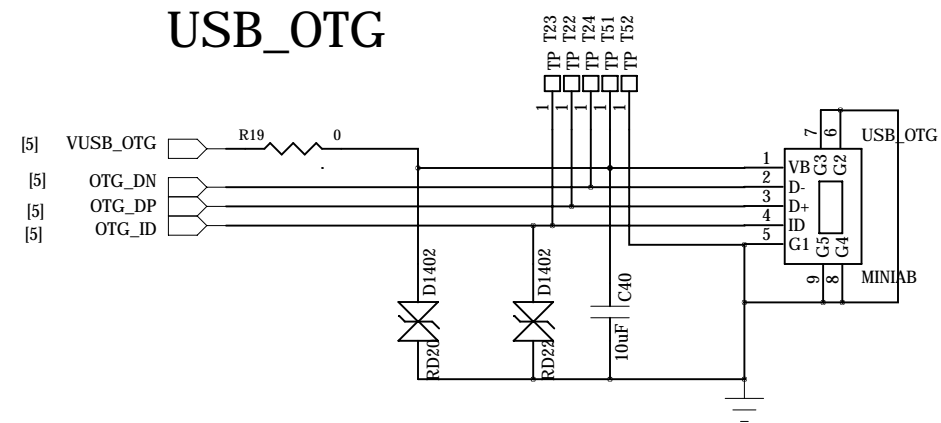
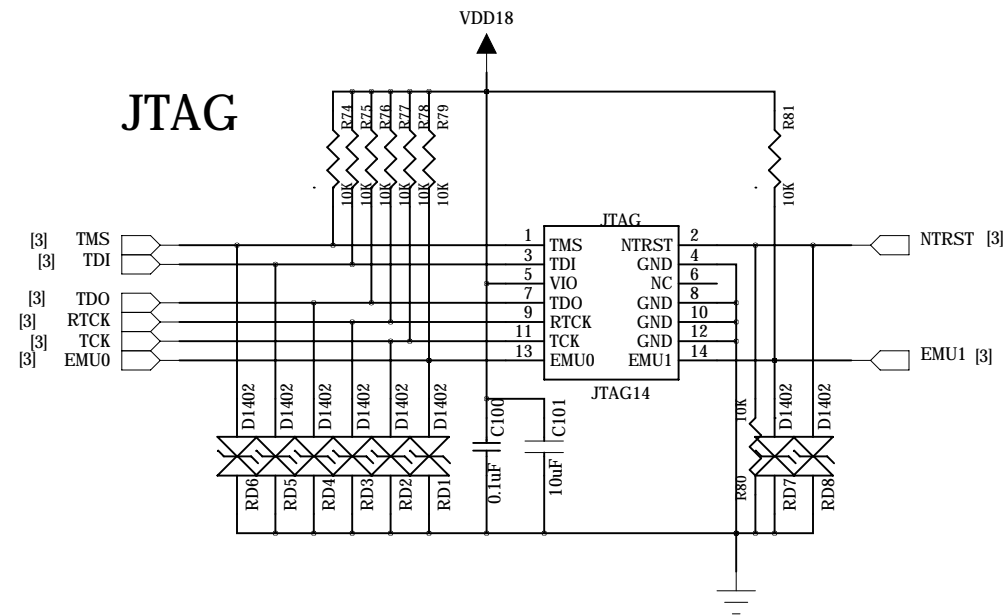
C

B

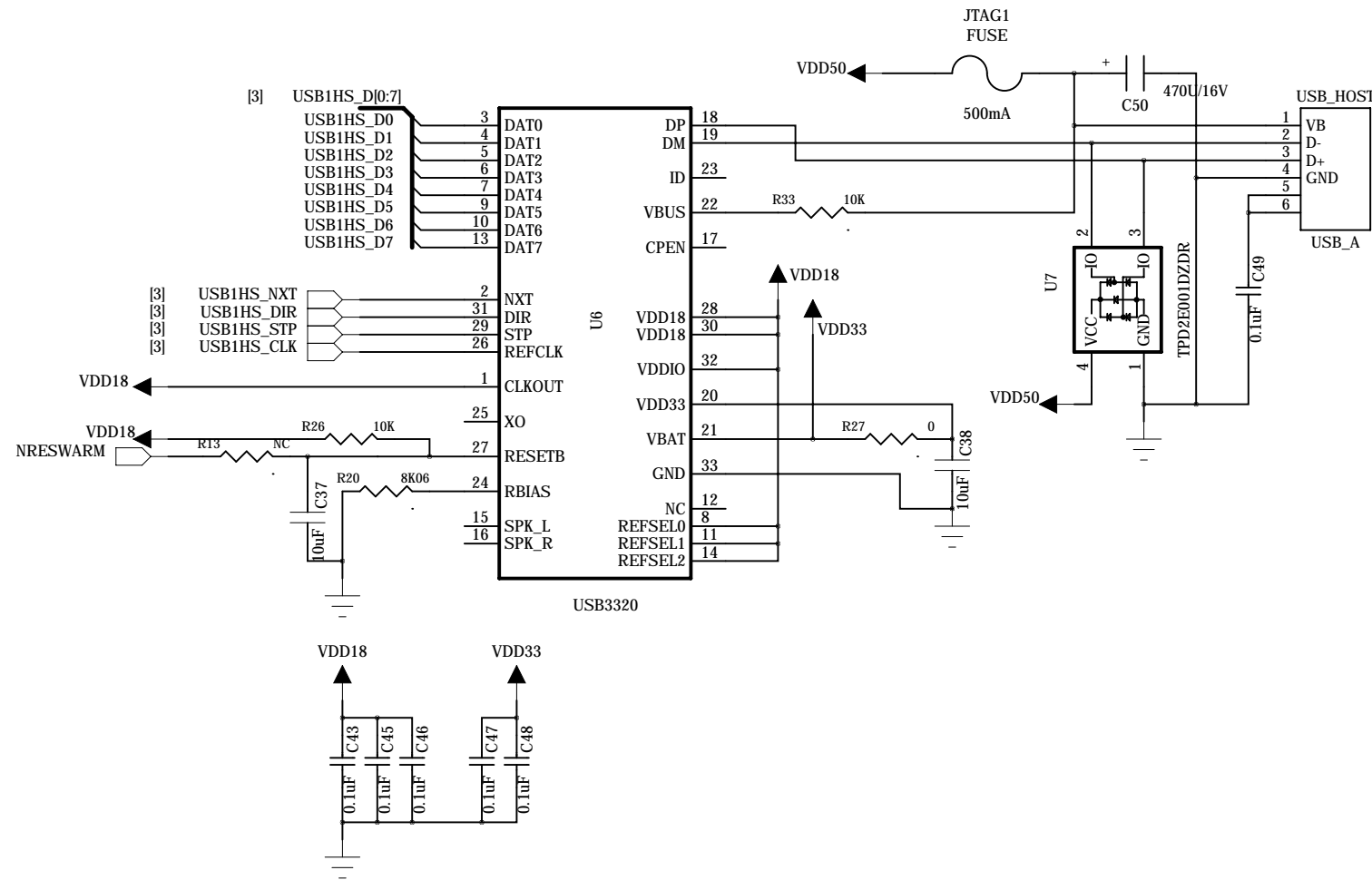
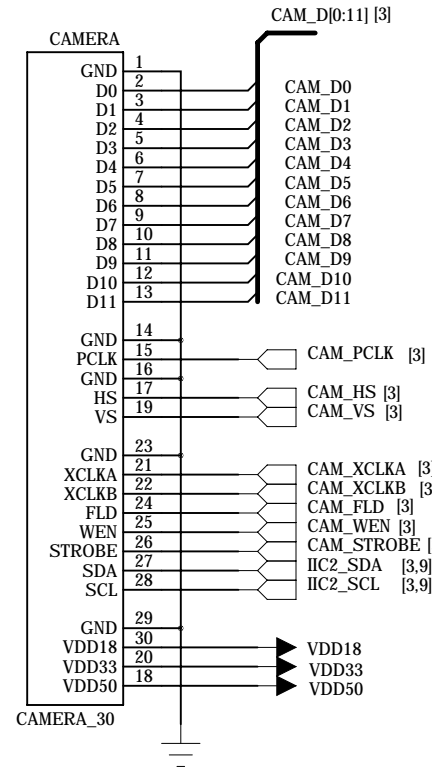
B

A

A

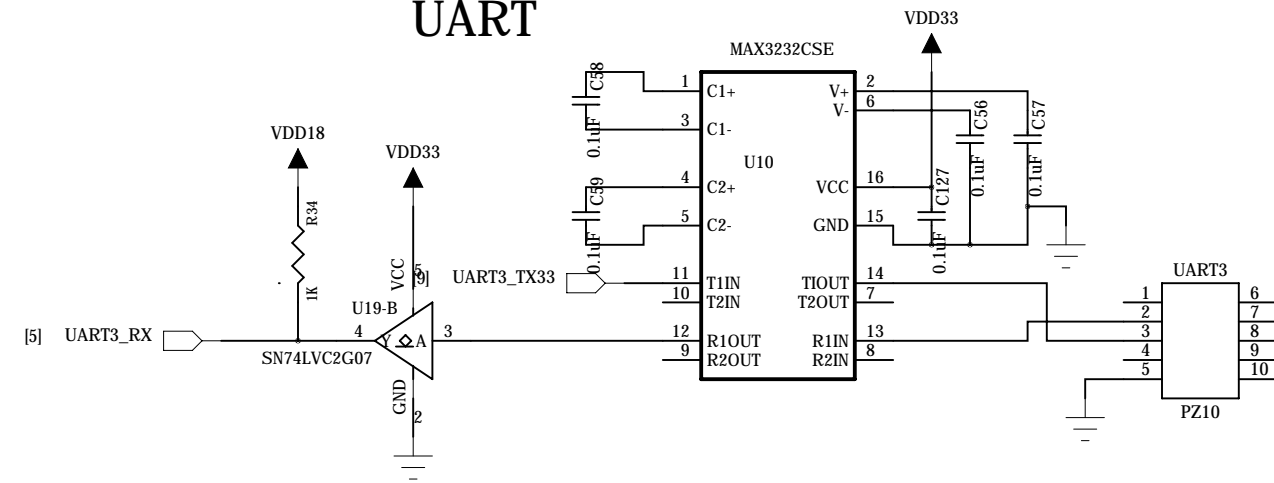


Camera

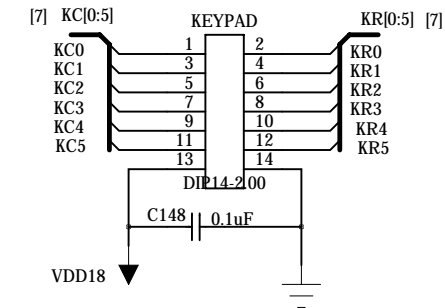


COMPANY: Embest info&Tech Co.,LTD		
TITLE: Embest_TI_OMAP_EVM 081100		
P/N: <CODE>	REV: 1.0	
Design by: yangzx	Checked by: zhudapeng	Approved by: YangYK
DATED: 2008/11/01	DATED: 2008/11/10	DATED: 2008/11/25
SCALE: N/A	SIZE: B	SHEET: 11 OF 12

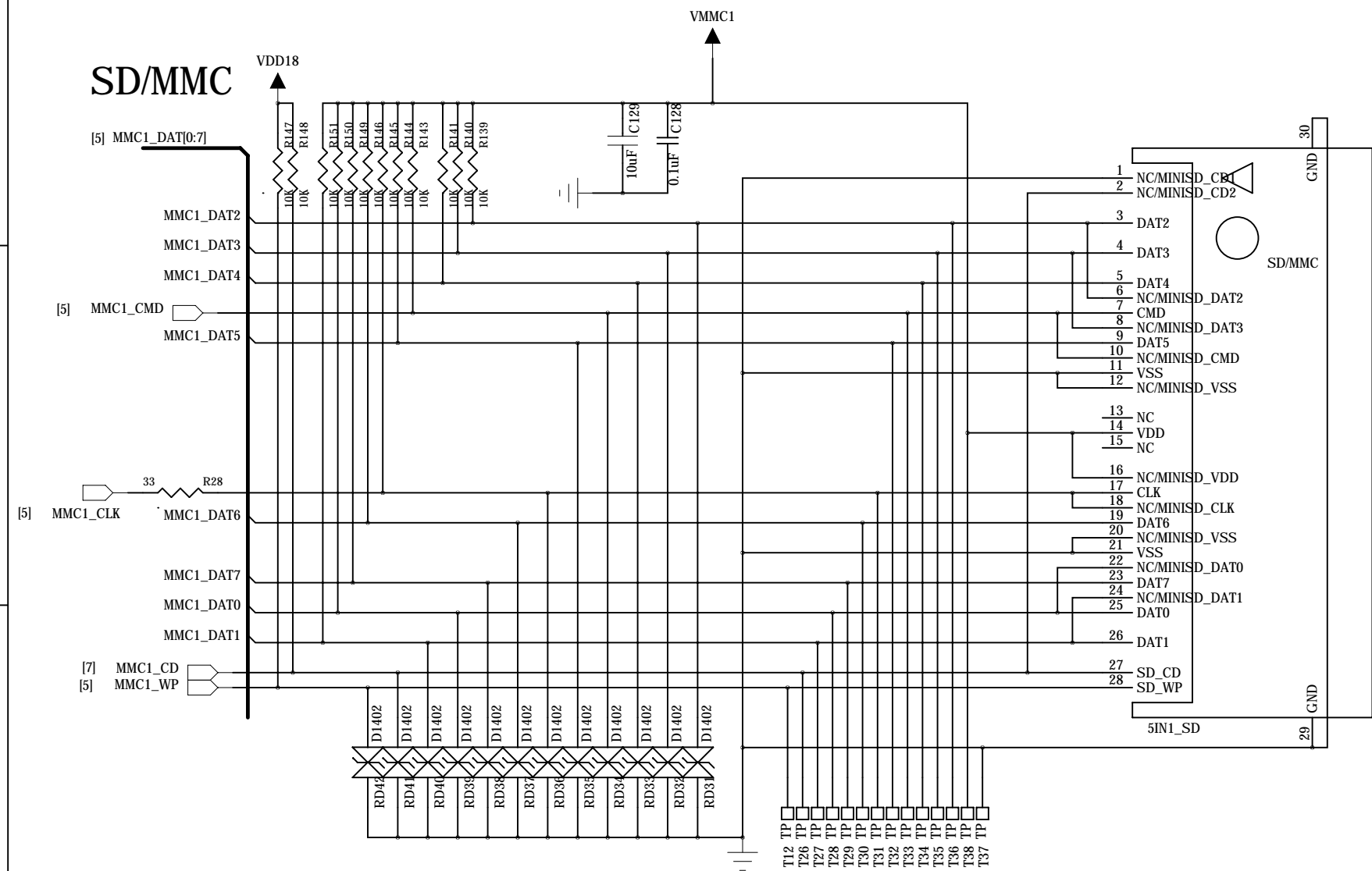
UART



Keypad



SD/MMC



COMPANY: Embest info&Tech Co.,LTD		
TITLE: Embest_TI_OMAP_EVM 081100		
P/N: <CODE>	REV: 1.0	
Design by: yangzx	Checked by: zhudapeng	Approved by: YangYK
DATED: 2008/11/01	DATED: 2008/11/10	DATED: 2008/11/25
SCALE: N/A	SIZE: B	SHEET: 14 OF 14