

A

A

B

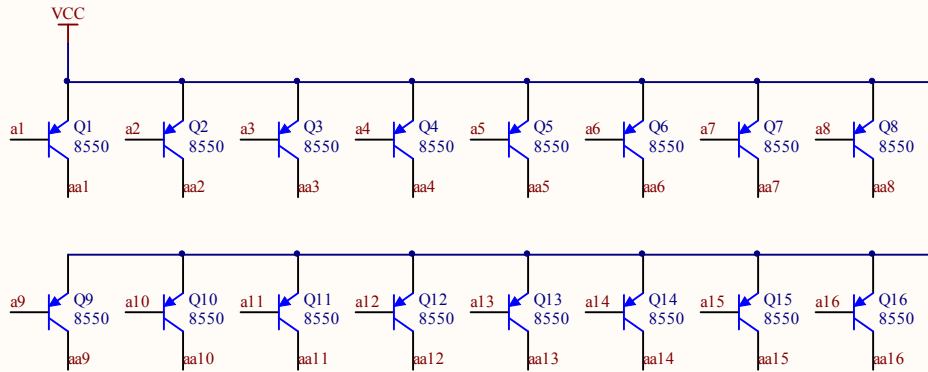
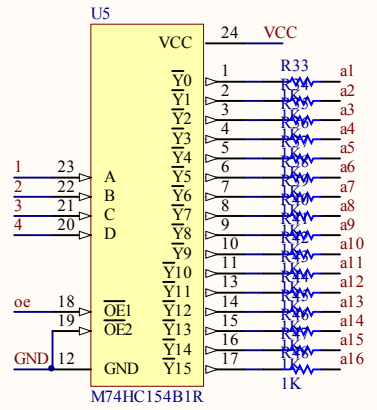
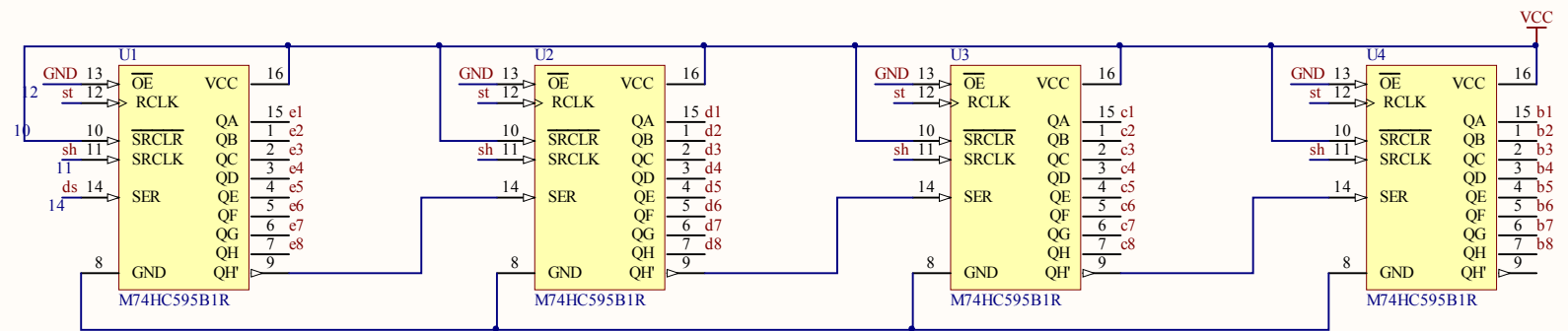
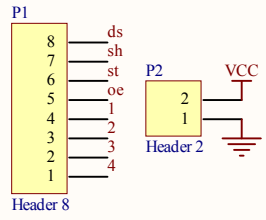
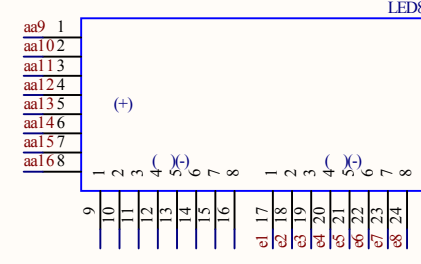
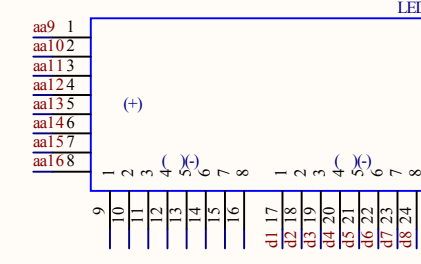
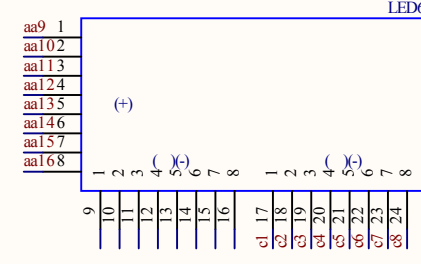
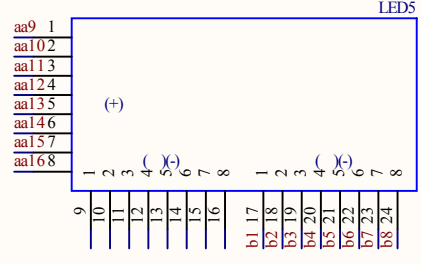
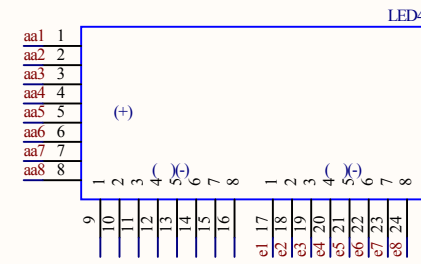
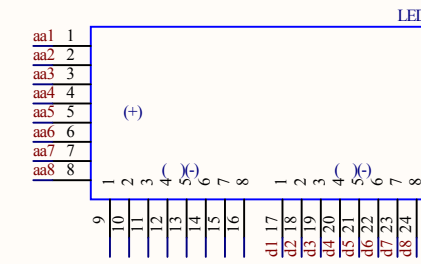
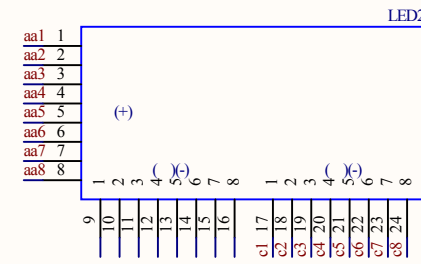
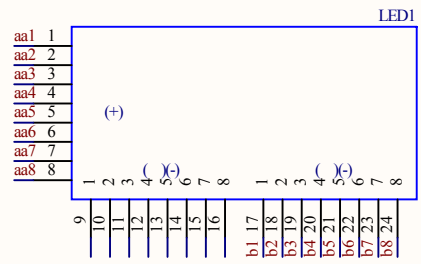
B

C

C

D

D



Title		
Size	Number	Revision
A4		
Date:	2011-3-20	Sheet of
File:	E:\ \..LED	Drawn By:
	.SchDoc	