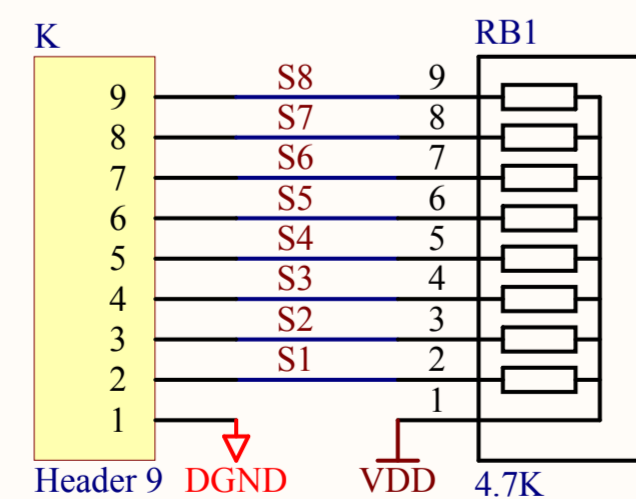
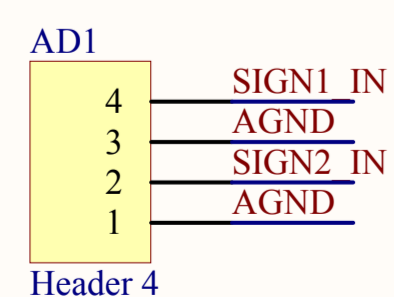
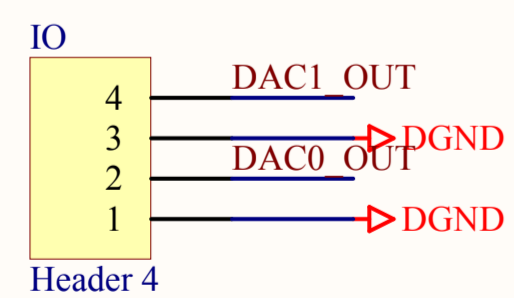
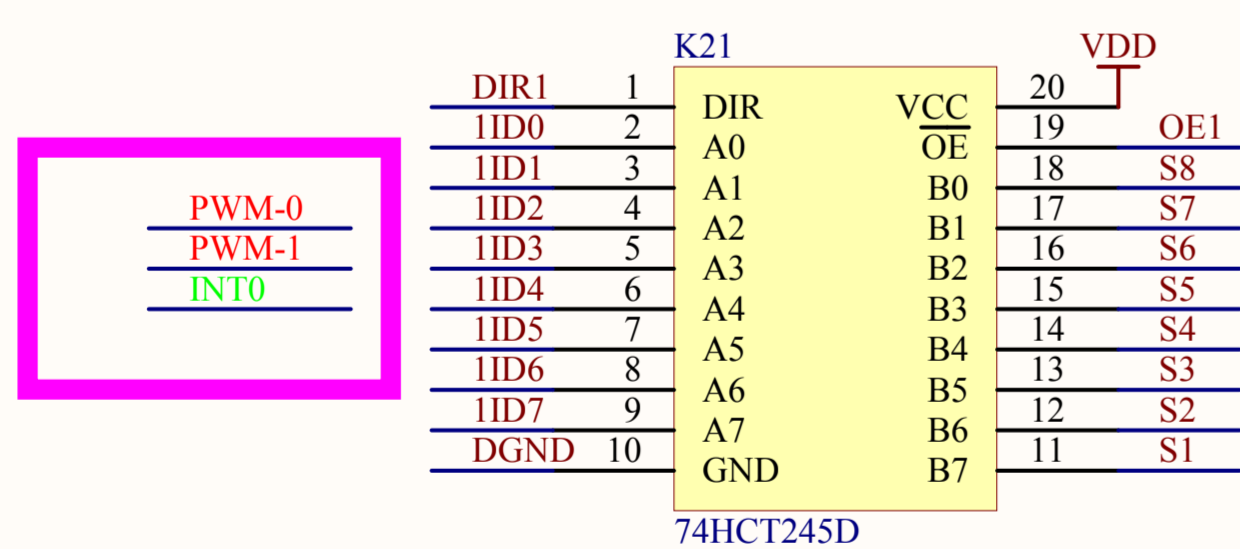
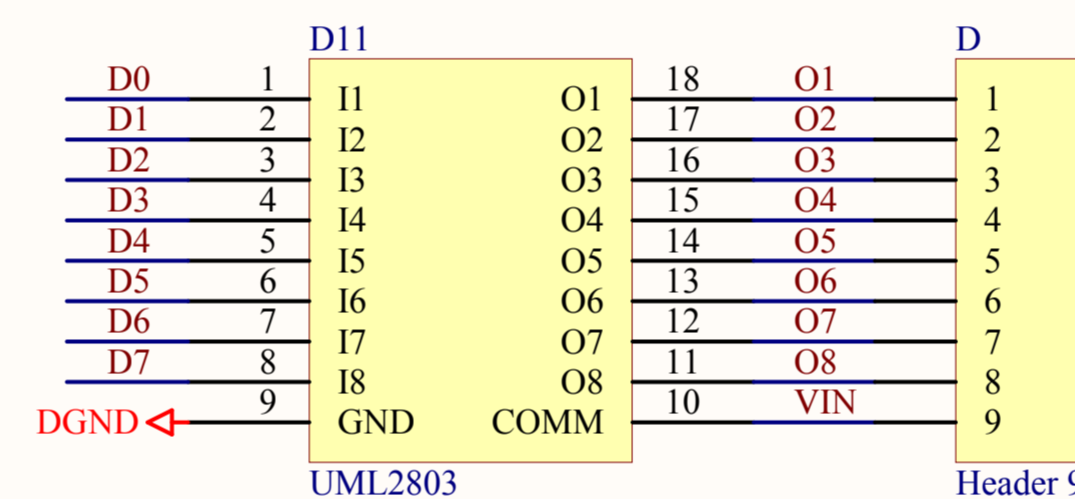
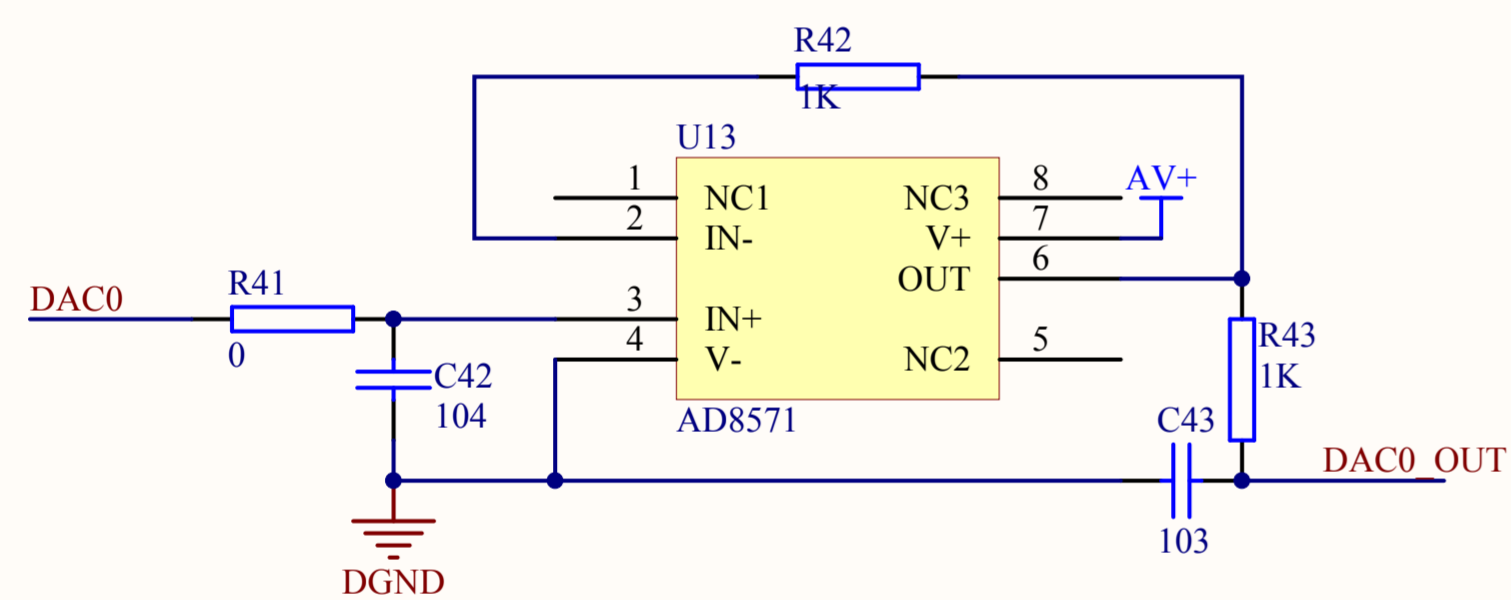
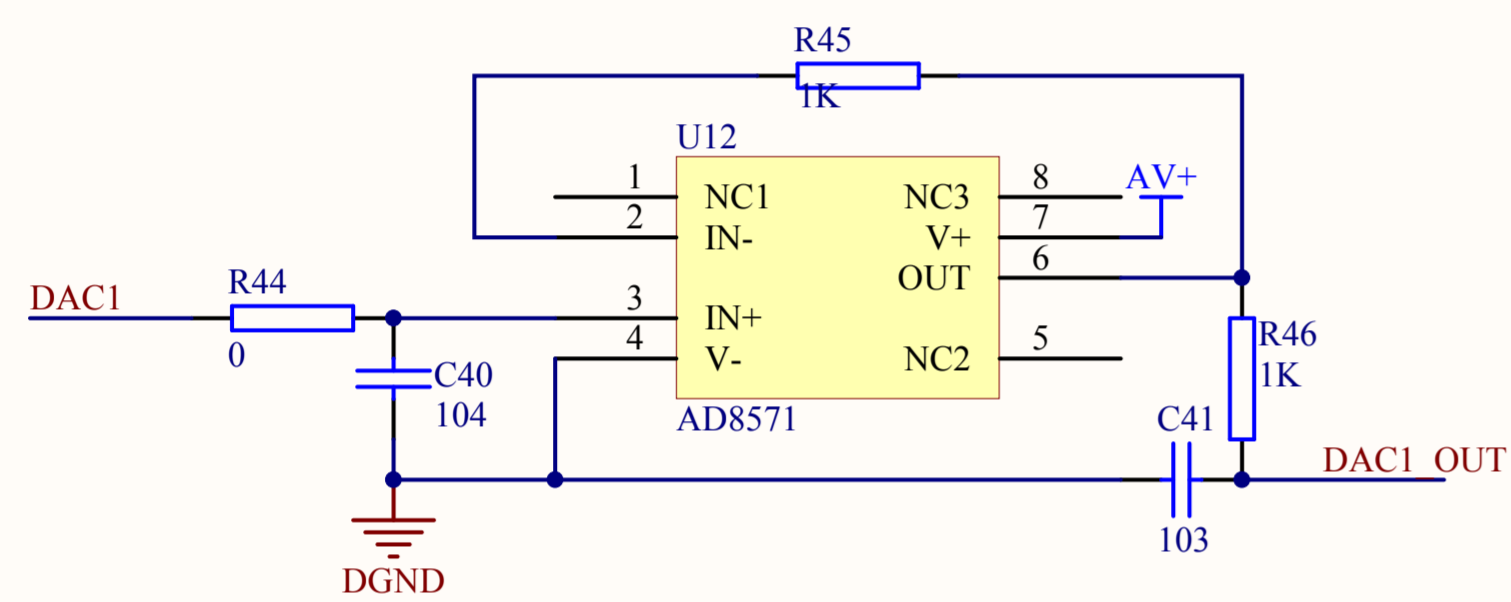


- 1: ADC
- 2: DAC
- 3: 8
- 4: 8
- 5: DC-DC
- 6: CAN UART



Title		
Size	Number	Revision
A3		
Date:	2011-2-23	Sheet of
File:	E:\2010-11-working\CONTROL.SchDoc Drawn By:	

1
CONTROL.SchDoc



2
CPU.Sch



Title		
Size	Number	Revision
A4		
Date:	2011-2-23	Sheet of
File:	E:\2010-11-working\..MAIN.SchDoc	Drawn By:

