

RDA GaAs PHEMT SP2T Switch

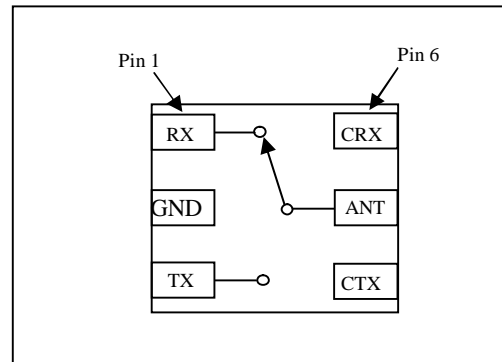
Features

- | Low Voltage Operation 2.5V
- | Low Harmonics > 65 dBc at +29 dBm & 1 GHz
- | Low Insertion Loss
- | Miniature 2×2 MLPD-6L Package
- | GaAs PHEMT Process

Description

RDA’s RDAES02 is a GaAs PHEMT MMIC single pole two throw (SP2T) high power switch. The RDAES02 is ideally suited for applications where high power, low control voltage, low insertion loss, high isolation, small size and low cost are required. Typical applications are for handset systems that connect separate transmit and receive functions to a common antenna, as well as other related handset and general purpose applications. This part can be used in all systems operating up to 3 GHz requiring high power at low control voltage.

Functional Diagram ¹



Pin Definition

PIN No.	PIN Name	Description
1	RX	RX Output Port
2	GND	RF Ground
3	TX	TX Input Port
4	CTX	TX thru Control
5	ANT	Antenna Port
6	CRX	RX thru Control

Absolute Maximum Ratings²

Parameter	Absolute Maximum
Max Input Power (0.5-3GHz, 2.5V control)	+29dBm
Operating Voltage	+5.5Volts
Operating Temperature	-40°C to +85°C
Storage Temperature	-65°C to +150°C