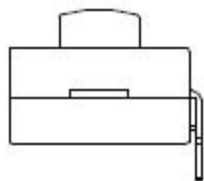
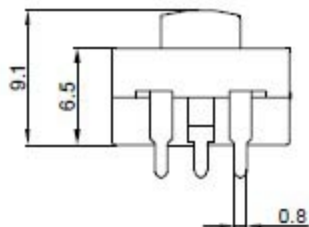
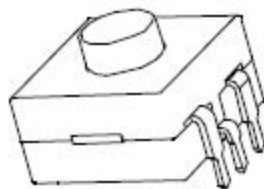
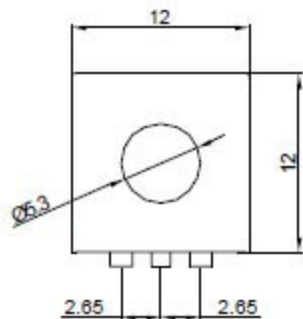


TS203



SPECIFICATIONS:

Rating: DC30V 1A

Contact resistance: 100m Ω (Max)

Insulation resistance: DC500V 100M Ω (Min)

Withstand voltage: AC 1000V 1 MINUTE

Operating force: 700 \pm 200g

Life cycle: 20,000CYCLES

MATERIAL:

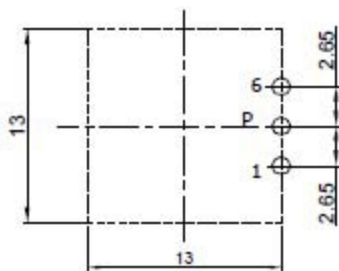
Frame:Nylon66,UL rated:94V-2 min

Cap:ABS

Terminal:Brass,silver or tin plated

Function:

ON-ON-OFF



P.C.B.LAYOUT

X	cap color
R	red
Y	yellow
G	green
B	black
U	blue
W	white
G	gray