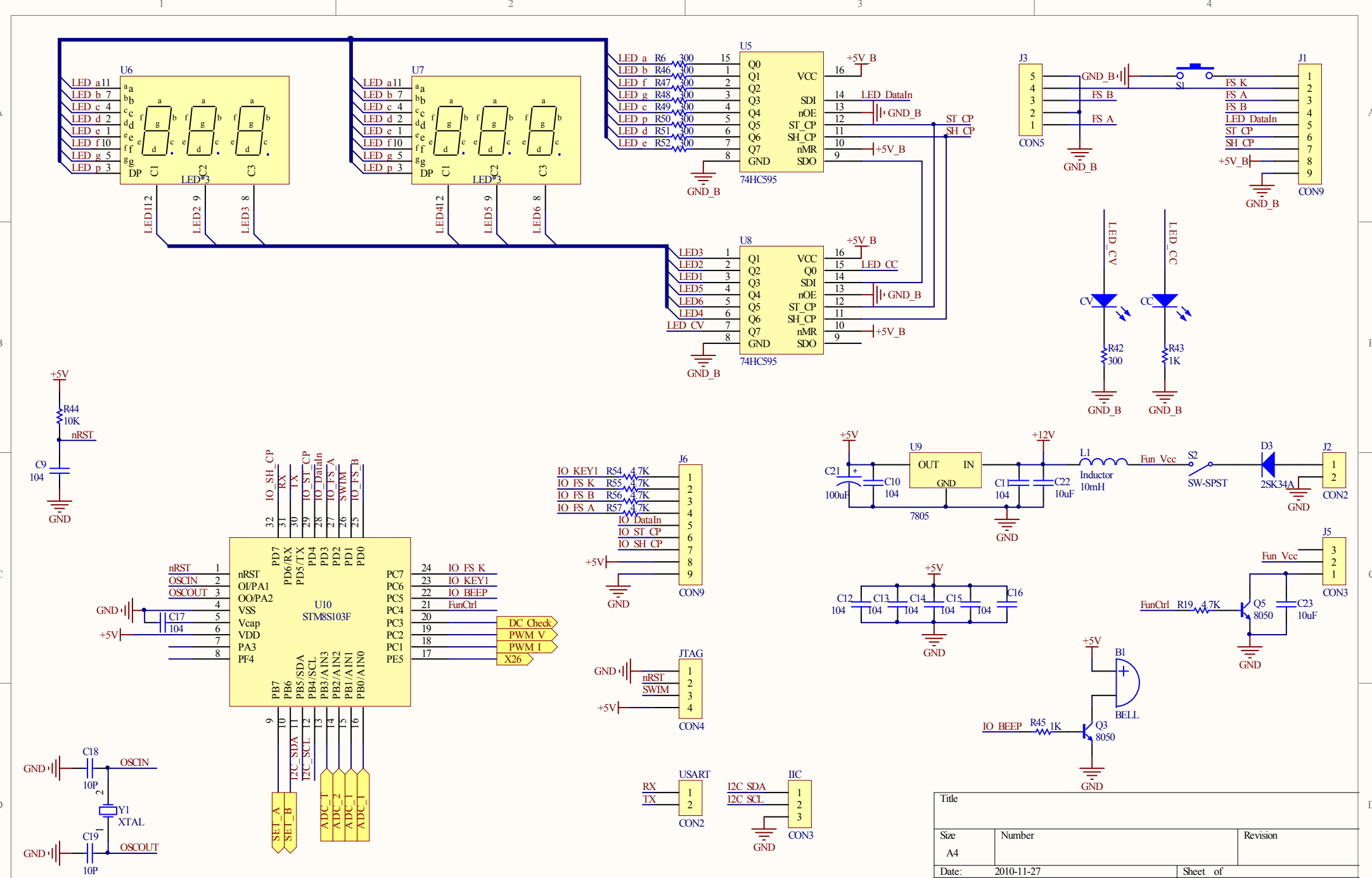


| Title | | |
|-------|---------------------------|-----------|
| Size | Number | Revision |
| A4 | | |
| Date: | 2010-11-27 | Sheet of |
| File: | E:\PCB\CVR_Control.SchDoc | Drawn By: |



| | | |
|-------|----------------------------|-----------|
| Title | | |
| Size | Number | Revision |
| A4 | | |
| Date: | 2010-11-27 | Sheet of |
| File: | E:\PCB\STM8 Control.SchDoc | Drawn By: |