

6

5

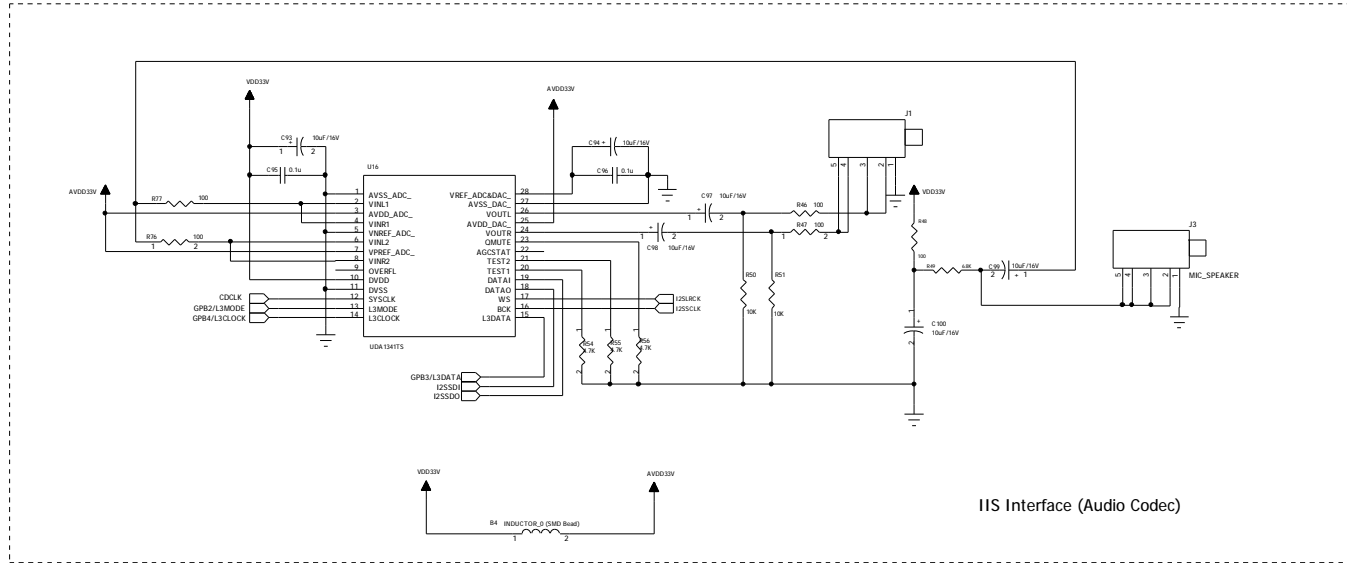
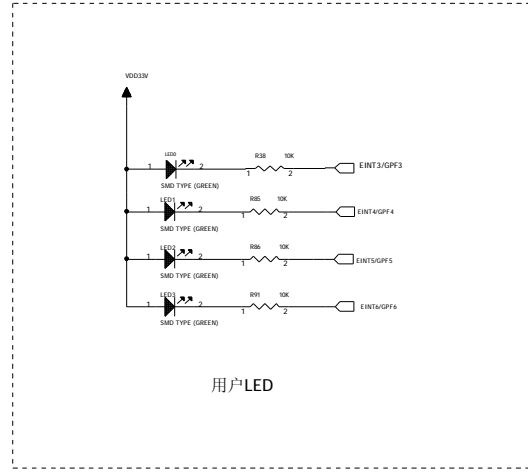
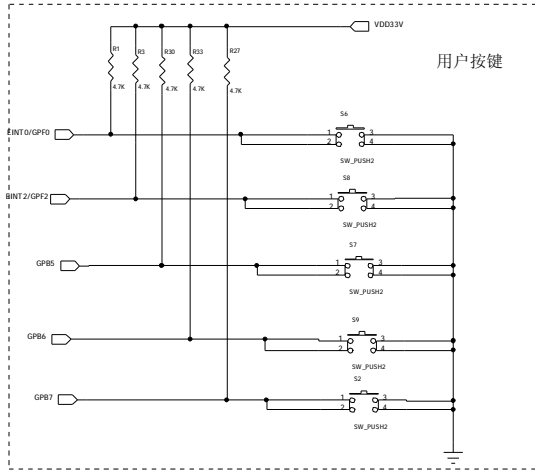
4

3

2

1

REVISION RECORD			
LTR	ECO NO:	APPROVED:	DATE:



COMPANY: 飞凌嵌入式技术有限公司

TITLE: OK2440_III型开发板

DRAWN:	DATED:
CHECKED:	DATED:
QUALITY CONTROL:	DATED:
RELEASED:	DATED:

CODE:	SIZE:	DRAWING NO:	REV:
SCALE:			SHEET: OF

6

5

4

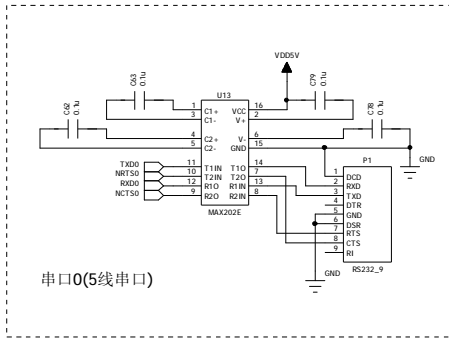
3

2

1

REVISION RECORD			
LTR	ECO NO:	APPROVED:	DATE:

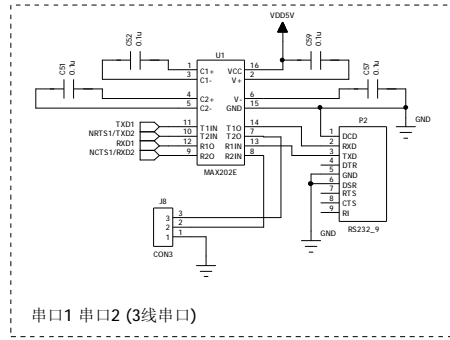
D



串口0(5线串口)

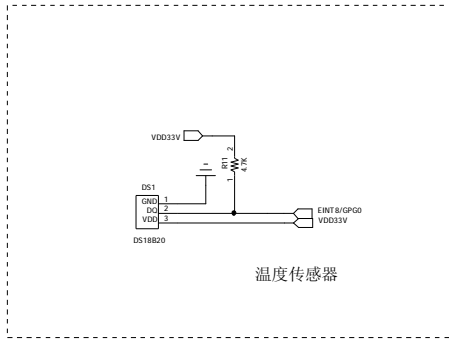


D

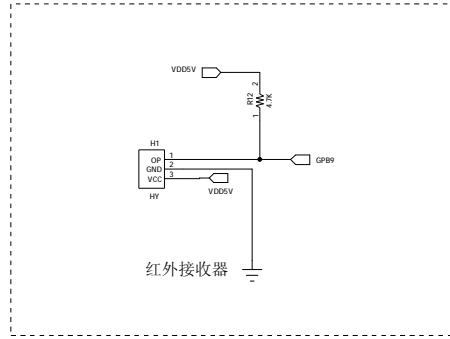


串口1 串口2 (3线串口)

C



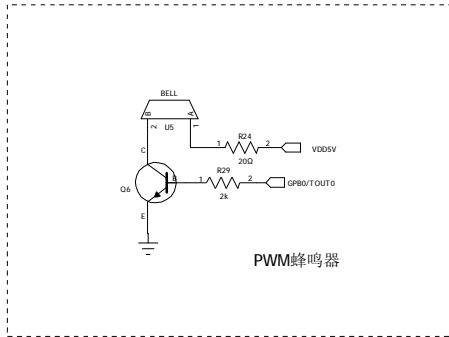
温度传感器



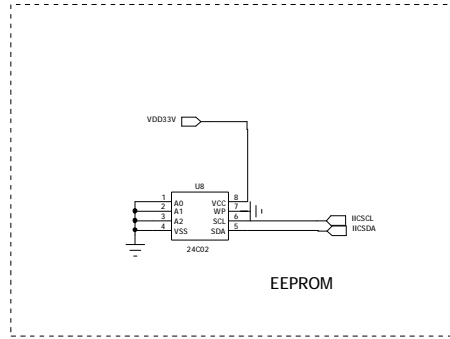
红外接收器

C

B



PWM蜂鸣器



EEPROM

B

A

COMPANY: 飞凌嵌入式技术有限公司

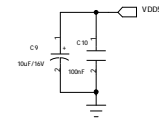
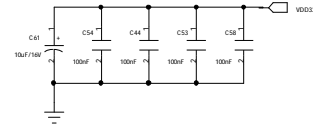
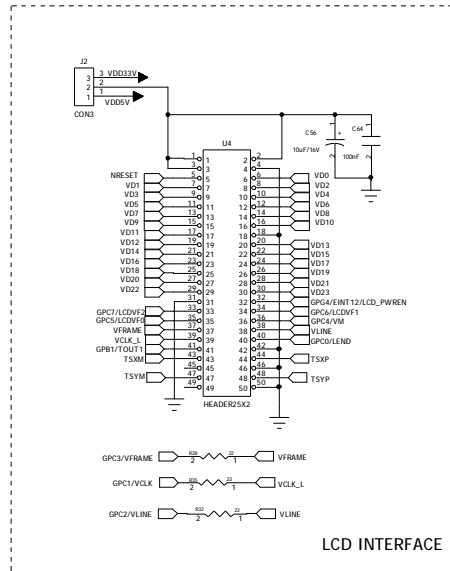
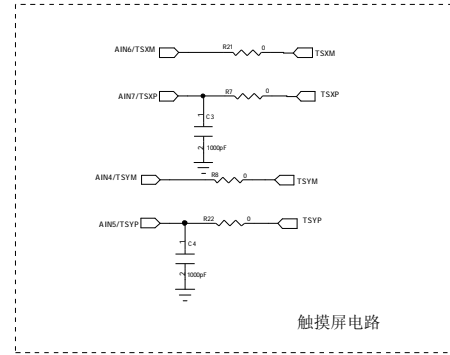
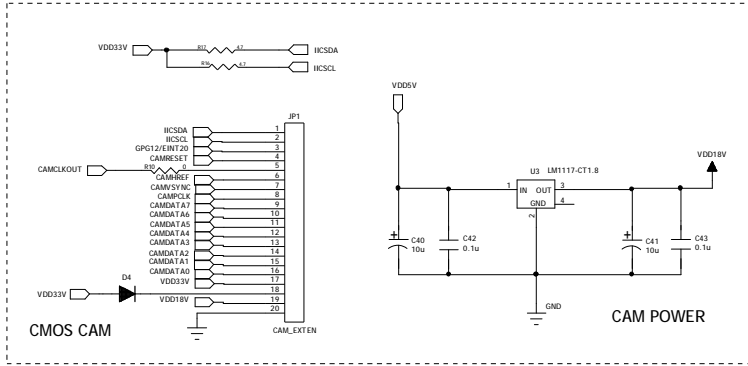
TITLE: OK2440 III型开发板

DRAWN:	DATED:
CHECKED:	DATED:
QUALITY CONTROL:	DATED:
RELEASED:	DATED:

CODE:	SIZE:	DRAWING NO:	REV:
SCALE:			SHEET: OF

A

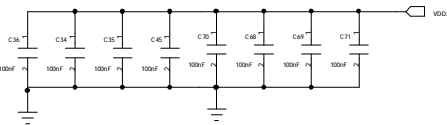
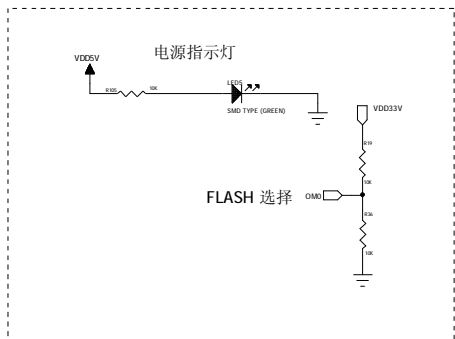
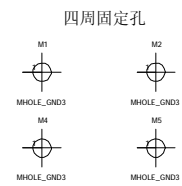
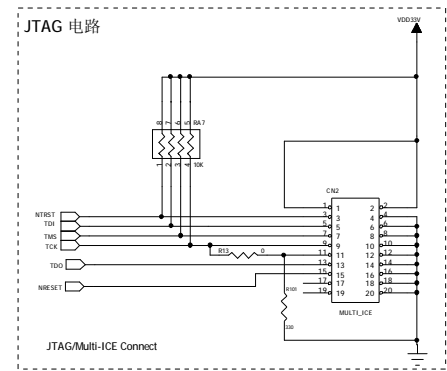
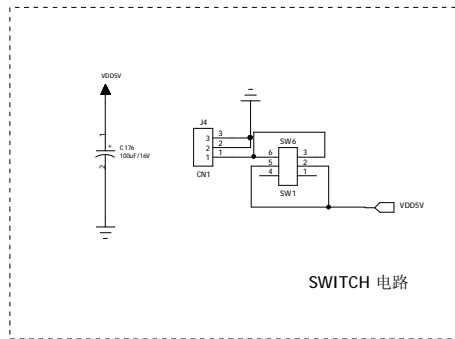
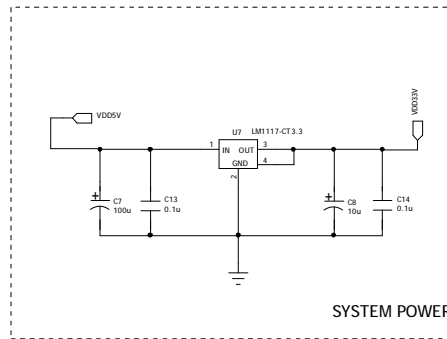
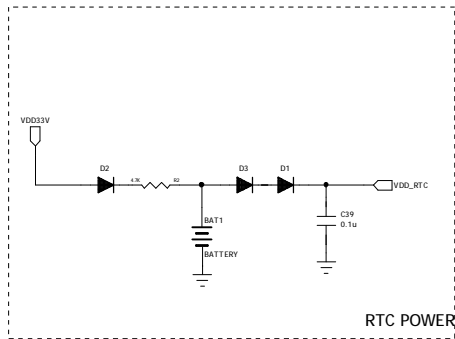
REVISION RECORD			
LTR	ECO NO:	APPROVED:	DATE:



DRAWN:	DATED:
CHECKED:	DATED:
QUALITY CONTROL:	DATED:
RELEASED:	DATED:

COMPANY: 飞凌嵌入式技术有限公司			
TITLE: OK2440_III型开发板			
CODE:	SIZE:	DRAWING NO.:	REV:
SCALE:			SHEET: 3/8

REVISION RECORD			
LTR	ECO NO:	APPROVED:	DATE:



D

D

C

C

B

B

A

A

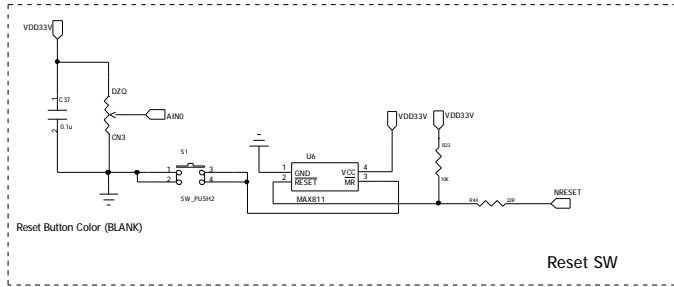
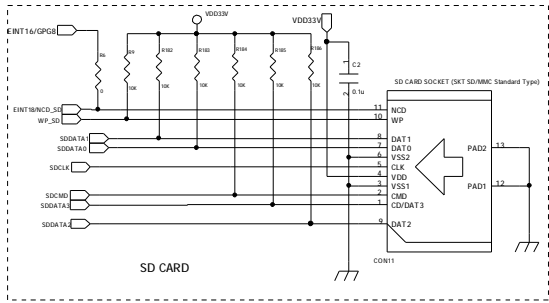
COMPANY: 飞凌嵌入式技术有限公司			
TITLE: OK2440_III型开发板			
CODE:	SIZE:	DRAWING NO:	REV:
SCALE:			SHEET: OF

DRAWN:	DATED:
CHECKED:	DATED:
QUALITY CONTROL:	DATED:
RELEASED:	DATED:

REVISION RECORD			
LTR	ECO NO:	APPROVED:	DATE:

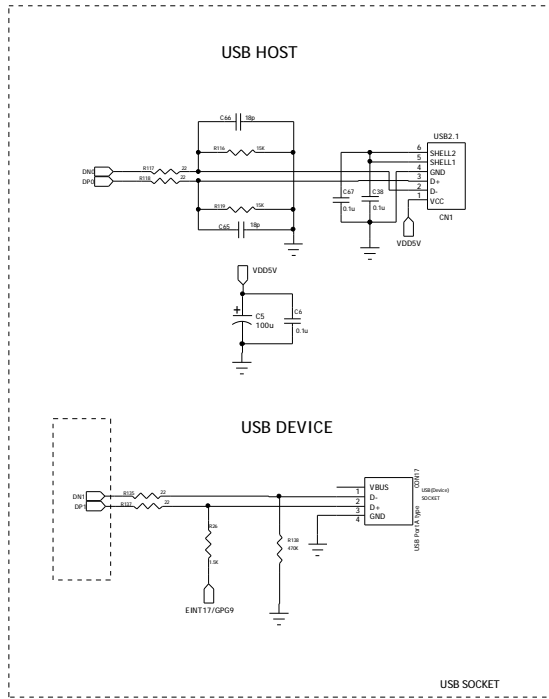
D

D



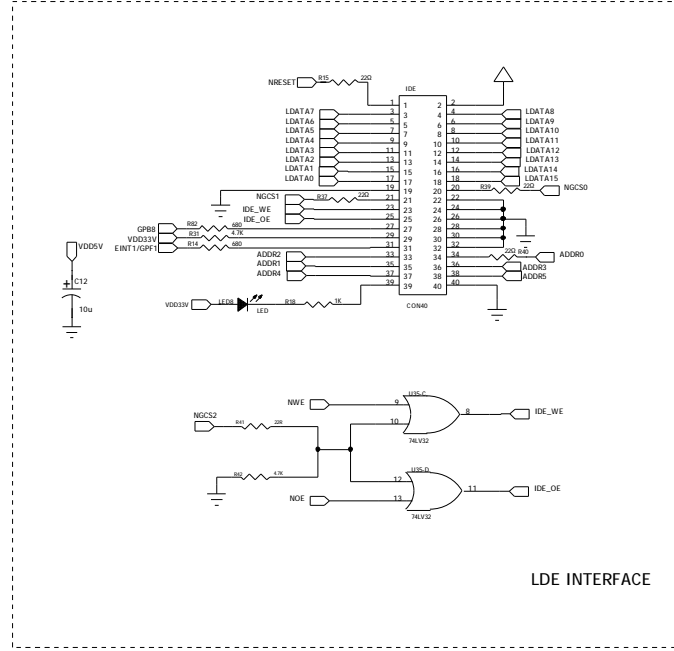
C

C



B

B



A

A

COMPANY: 飞凌嵌入式技术有限公司

TITLE: OK2440_III型开发板

CODE:	SIZE:	DRAWING NO.:	REV:
-------	-------	--------------	------

SCALE: SHEET: OF

DRAWN:	DATED:
CHECKED:	DATED:
QUALITY CONTROL:	DATED:
RELEASED:	DATED:

6

5

4

3

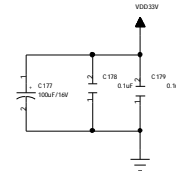
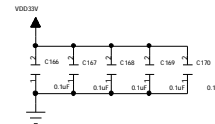
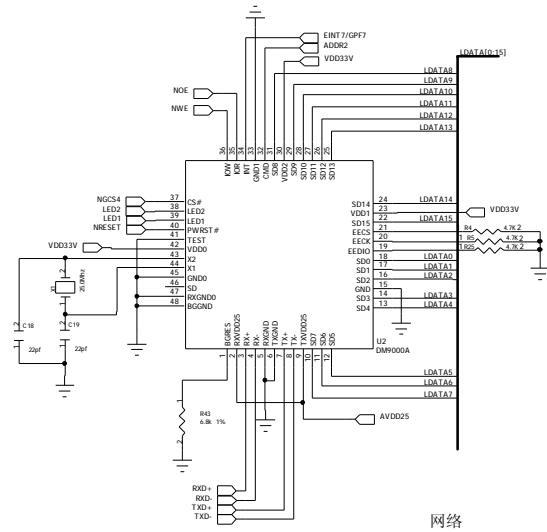
2

1

REVISION RECORD			
LTR	ECO NO:	APPROVED:	DATE:

D

D

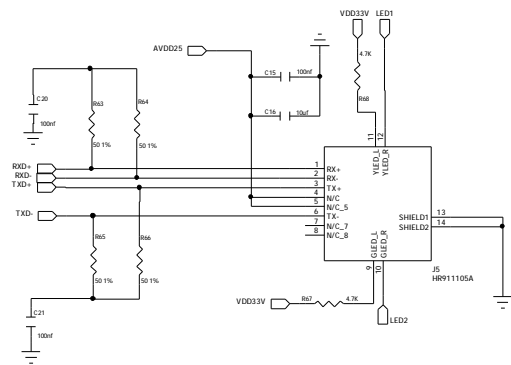


C

C

B

B



A

A

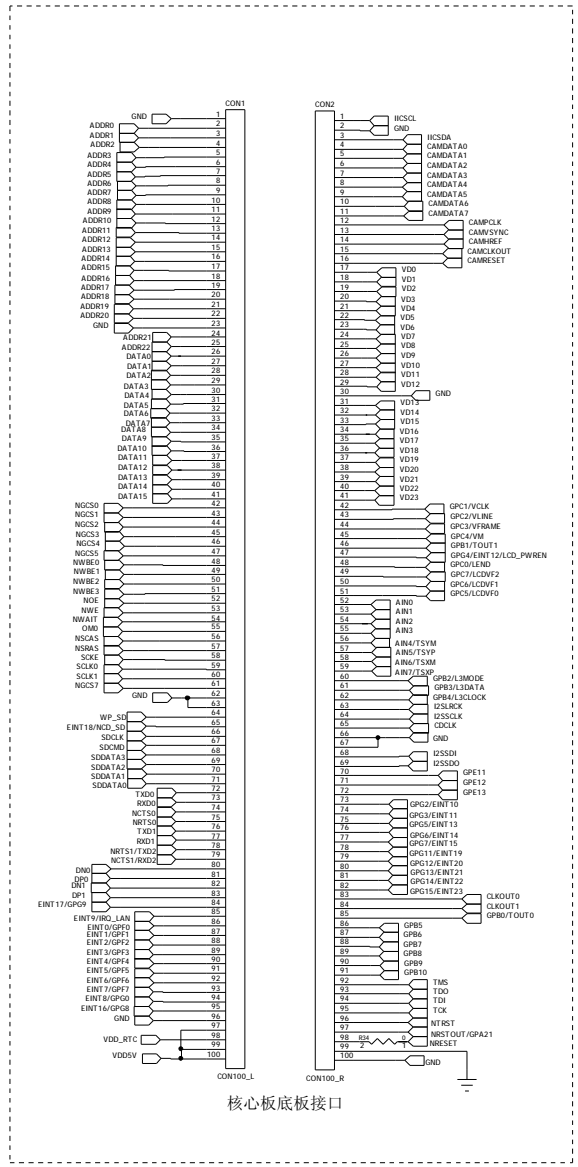
COMPANY: 飞凌嵌入式技术有限公司

TITLE: OK2440_III型开发板

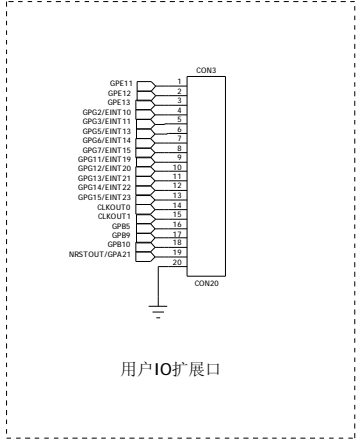
DRAWN:	DATED:
CHECKED:	DATED:
QUALITY CONTROL:	DATED:
RELEASED:	DATED:

CODE:	SIZE:	DRAWING NO:	REV:
SCALE:		SHEET: OF	

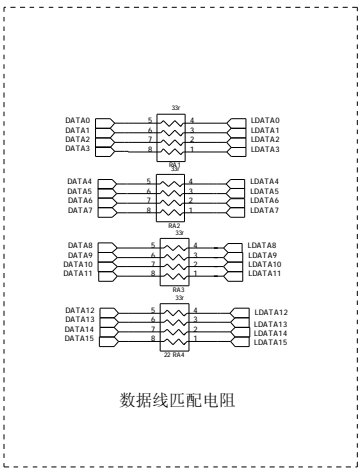
REVISION RECORD			
LTR	ECO NO:	APPROVED:	DATE:



核心板底板接口



用户IO扩展口



数据线匹配电阻

D

D

C

C

B

B

A

A

COMPANY: 飞凌嵌入式技术有限公司

TITLE: OK2440_III型开发板

DRAWN:	DATED:	CODE:	SIZE:	DRAWING NO:	REV:
CHECKED:	DATED:				
QUALITY CONTROL:	DATED:	SCALE:			SHEET: 7/8
RELEASED:	DATED:				