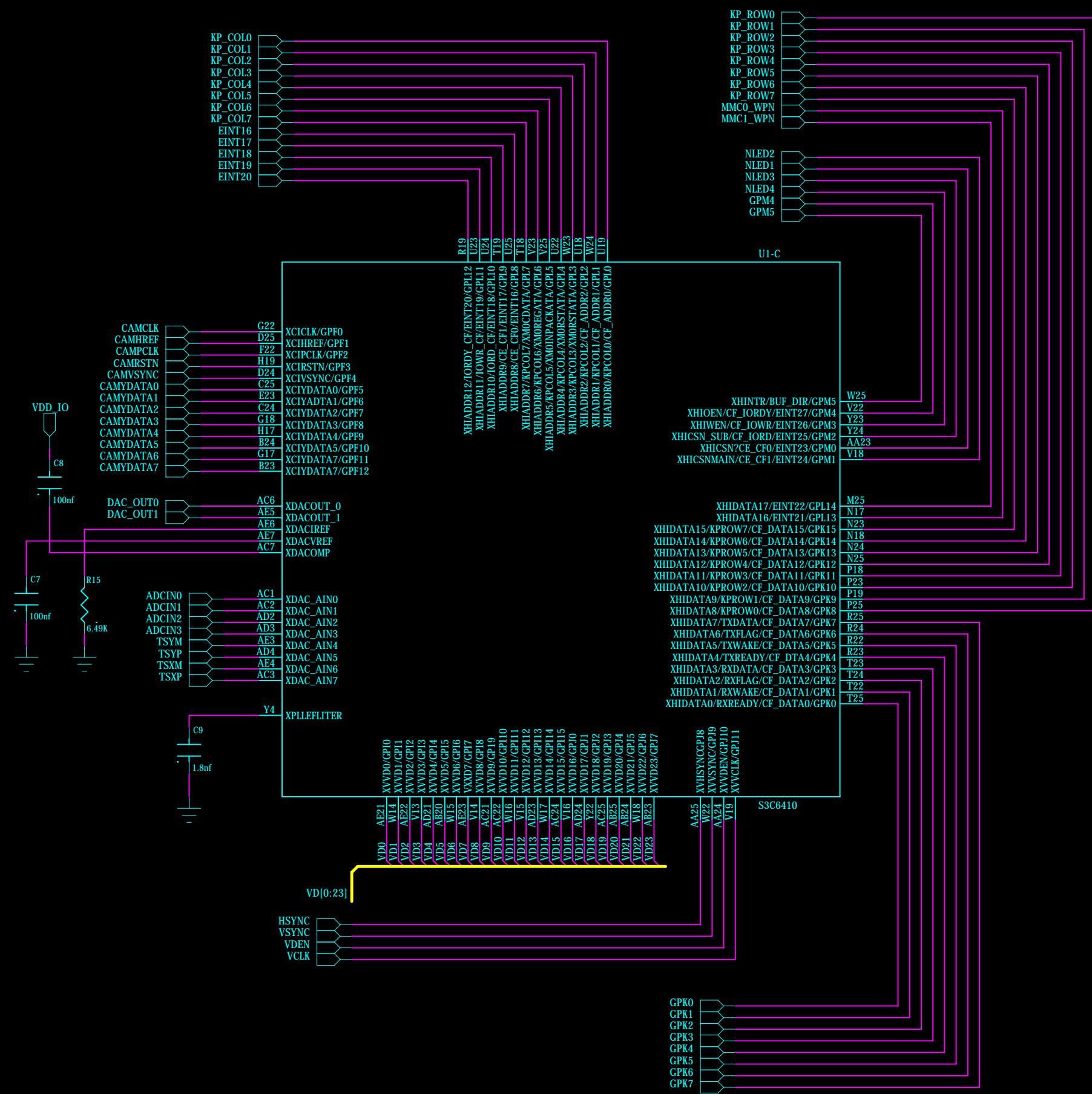


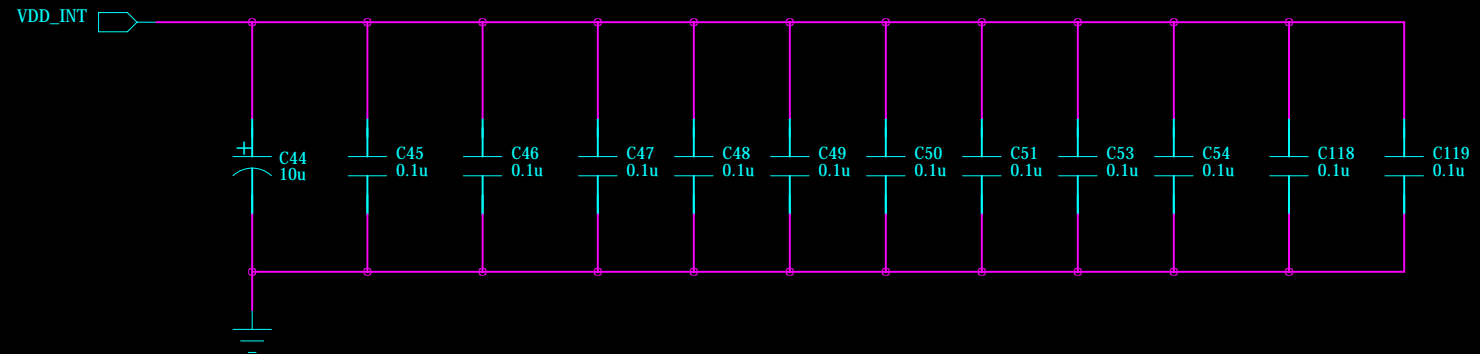
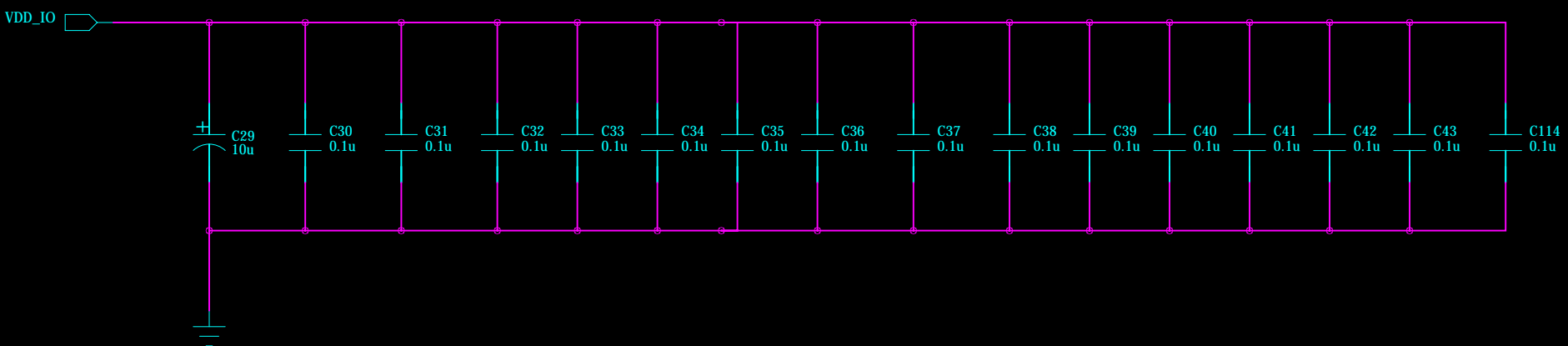
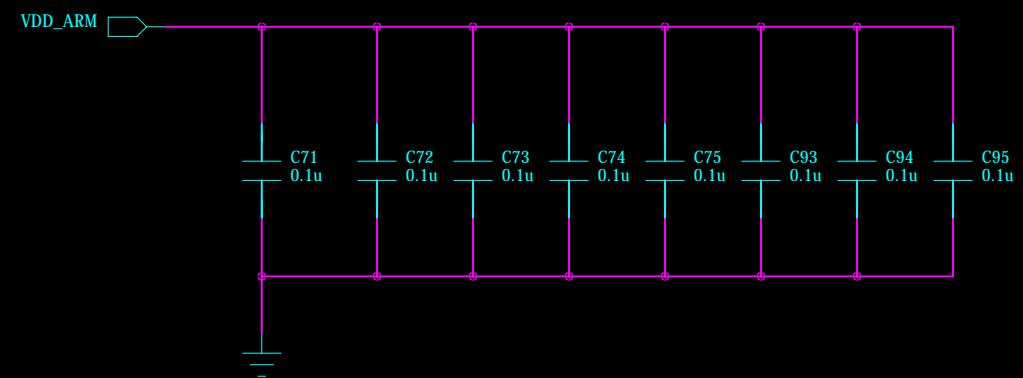
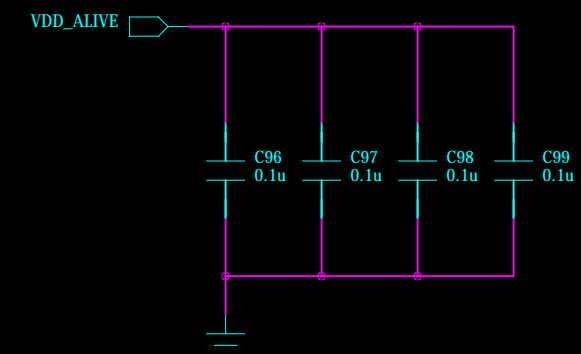
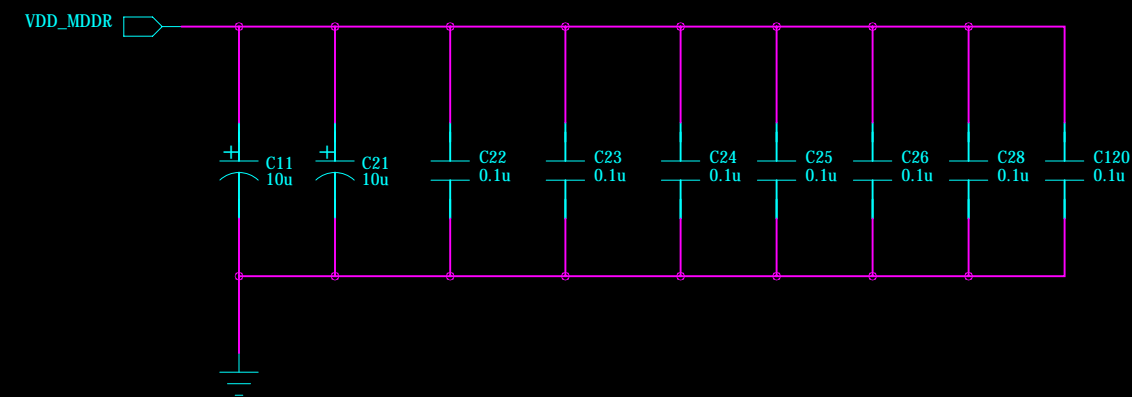
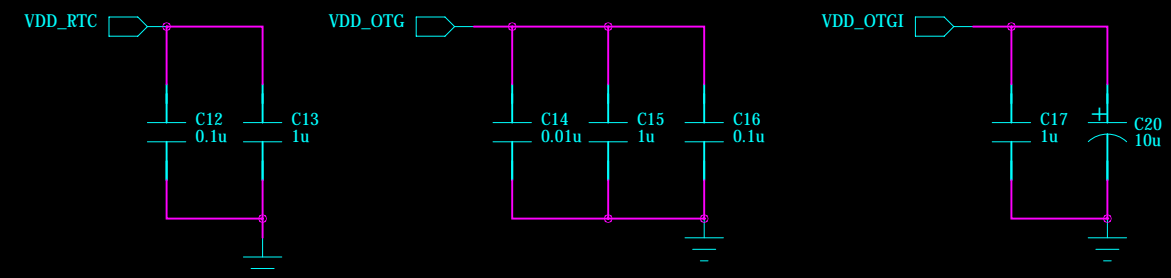
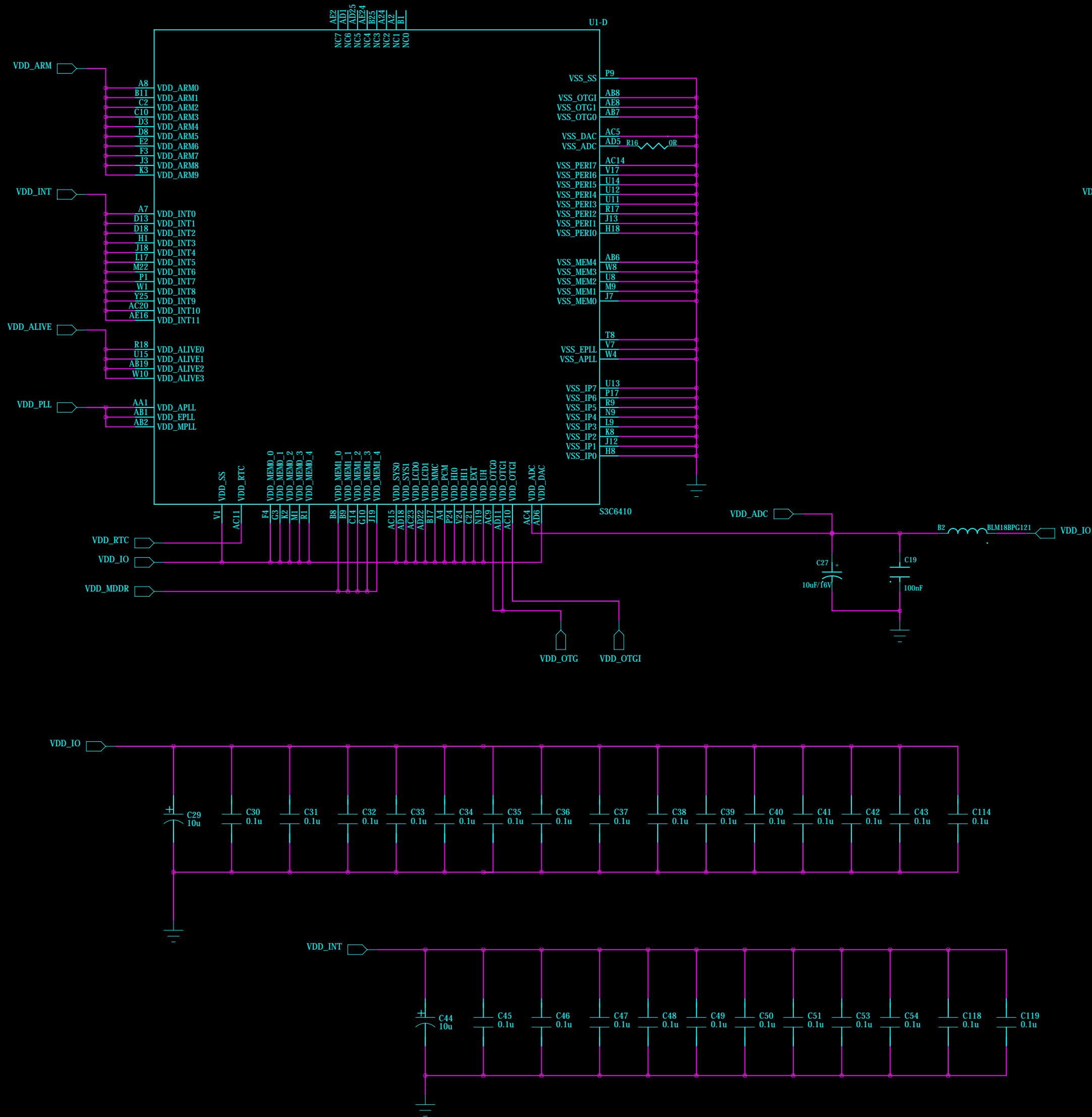
COMPANY:	<b>TE6410 Core Board</b>
TITLE:	<b>Forlinx Embedded</b>
HOME:	<b>www.witech.com.cn</b>



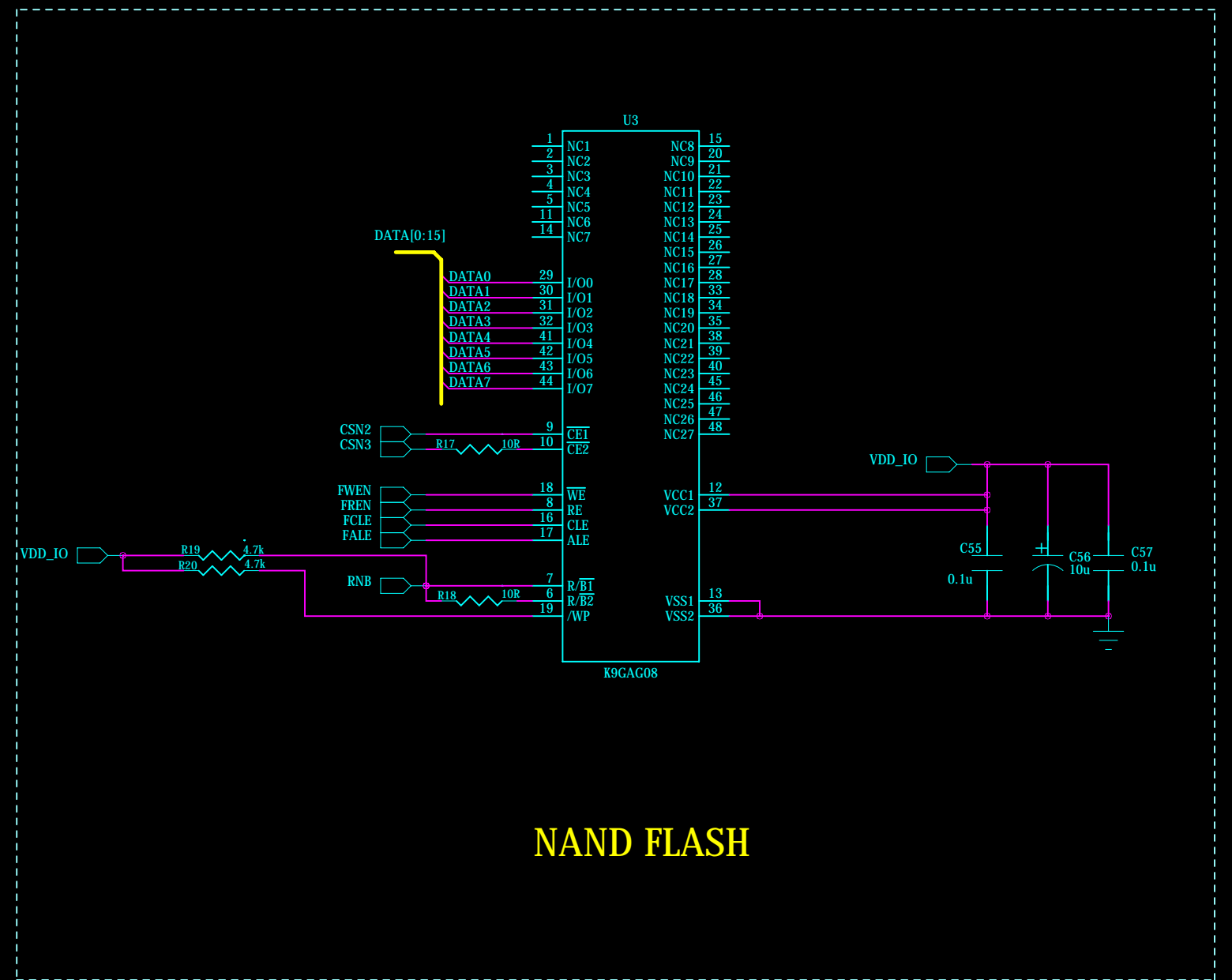
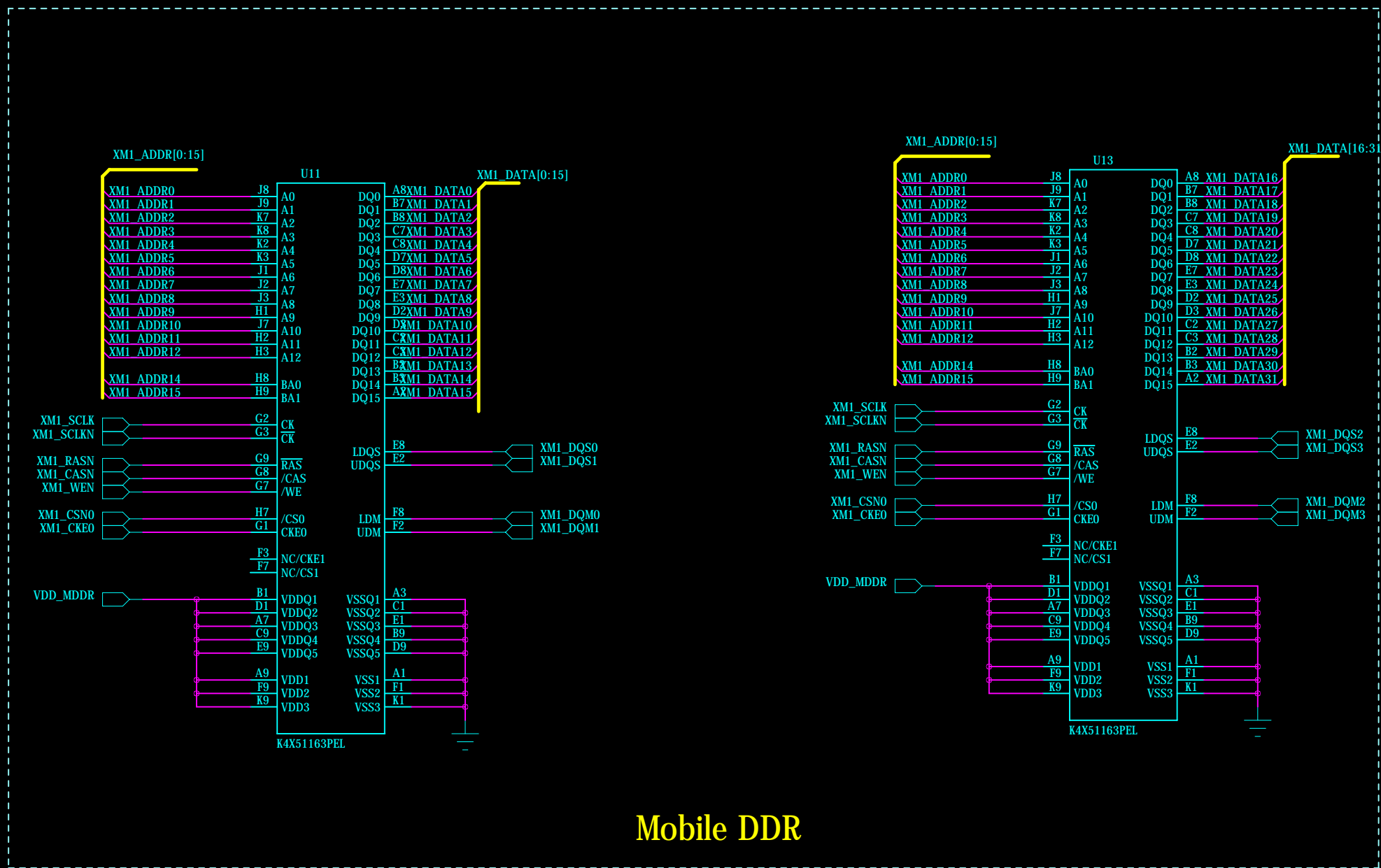
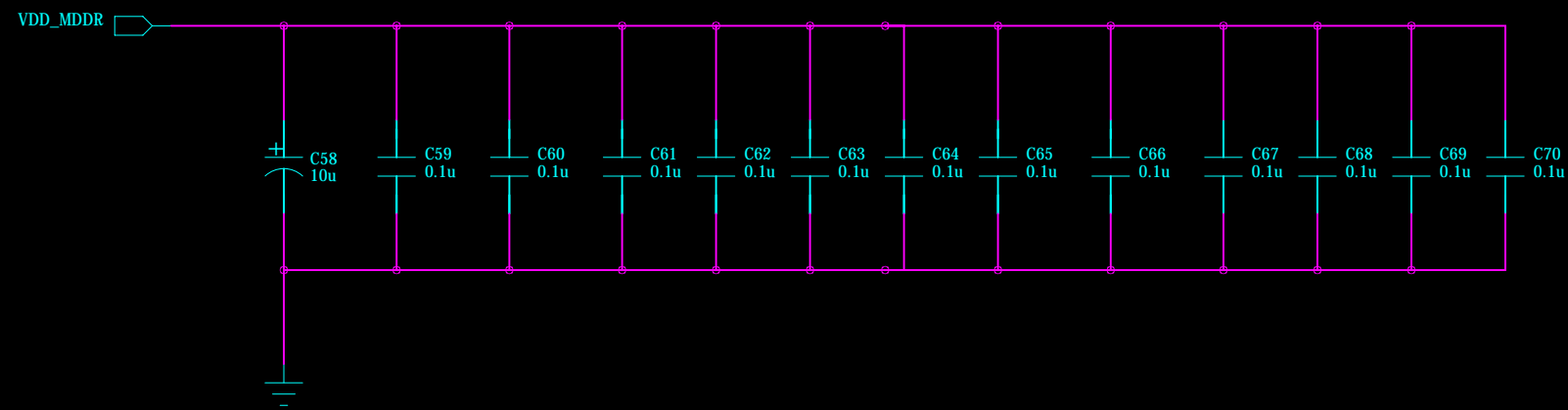
COMPANY: **TE6410 Core Board**

TITLE: **Forlinx Embedded**

HOME: **www.witech.com.cn**



COMPANY: **TE6410 CORE Board**  
 TITLE: **Forlinx Embedded**  
 HOME: **www.witech.com.cn**

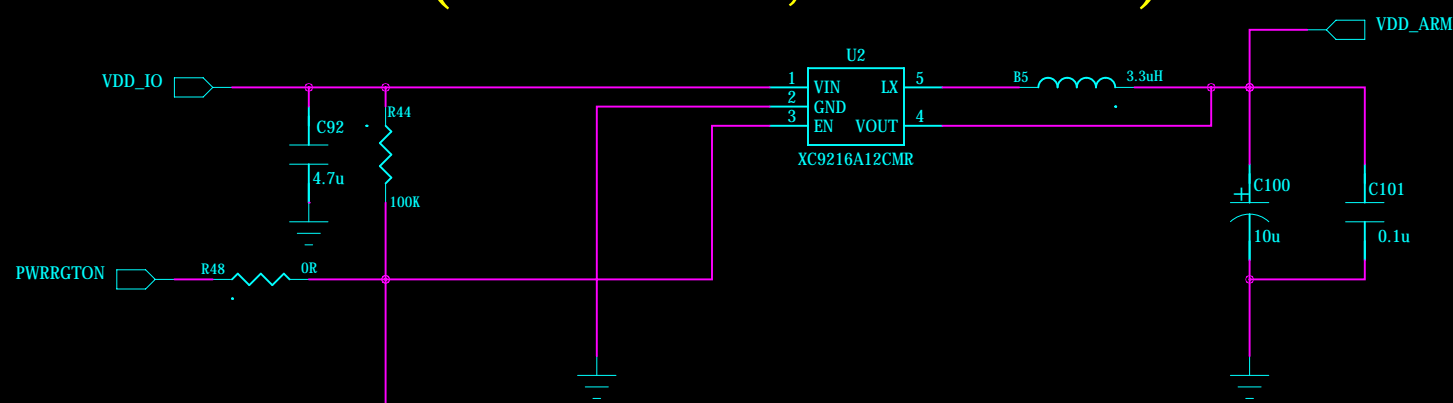


COMPANY: **TE6410 Core Board**

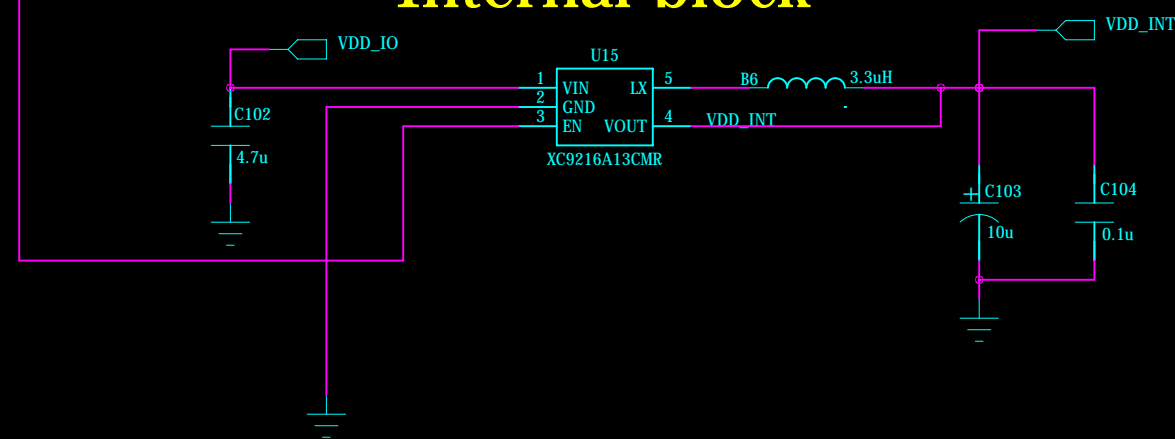
TITLE: **Forlinx Embedded**

HOME: **www.witech.com.cn**

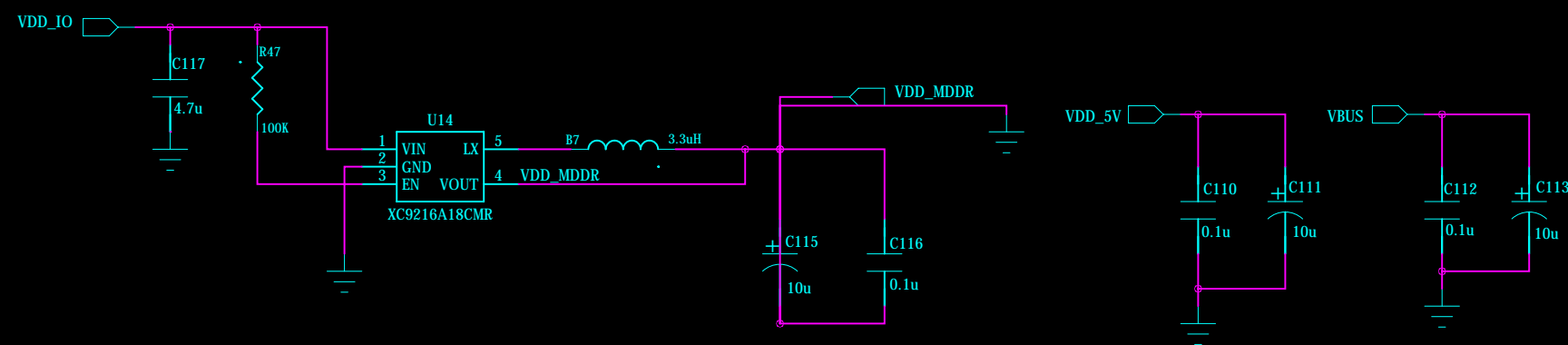
## ARM Core Power 1.1V (533M/1.1V, 667M/1.2V)



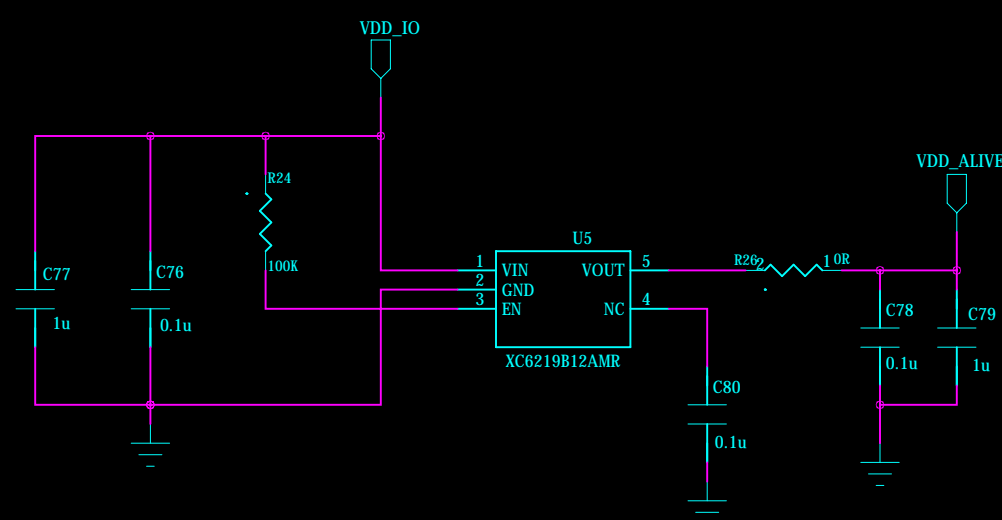
## VDD INT Power 1.3V Internal block



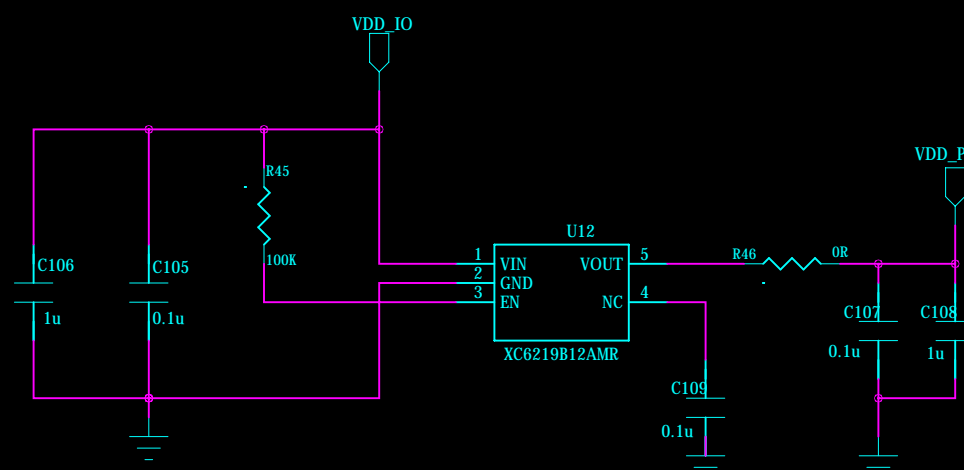
## Mobile DDR Power 1.8v



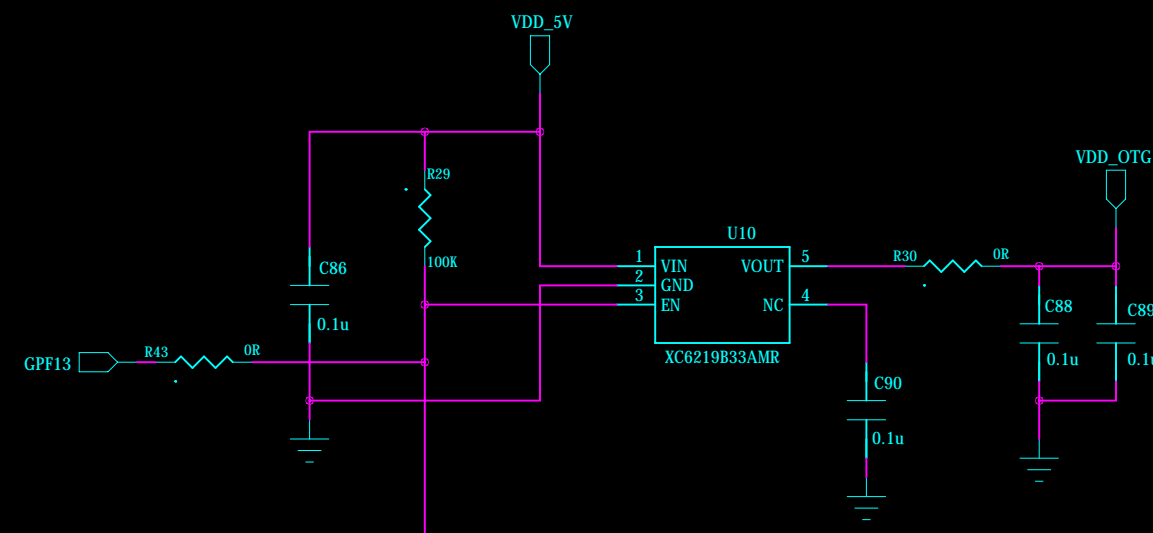
## VDD Alive Power 1.2V



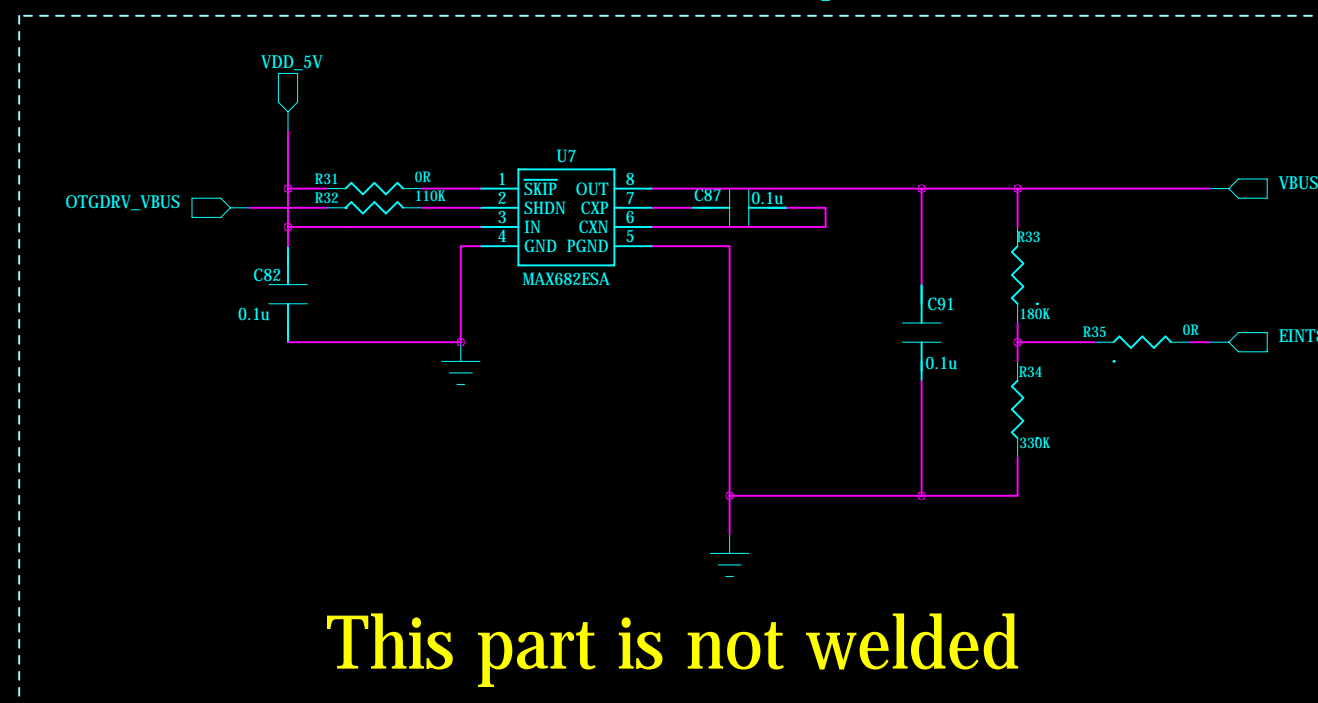
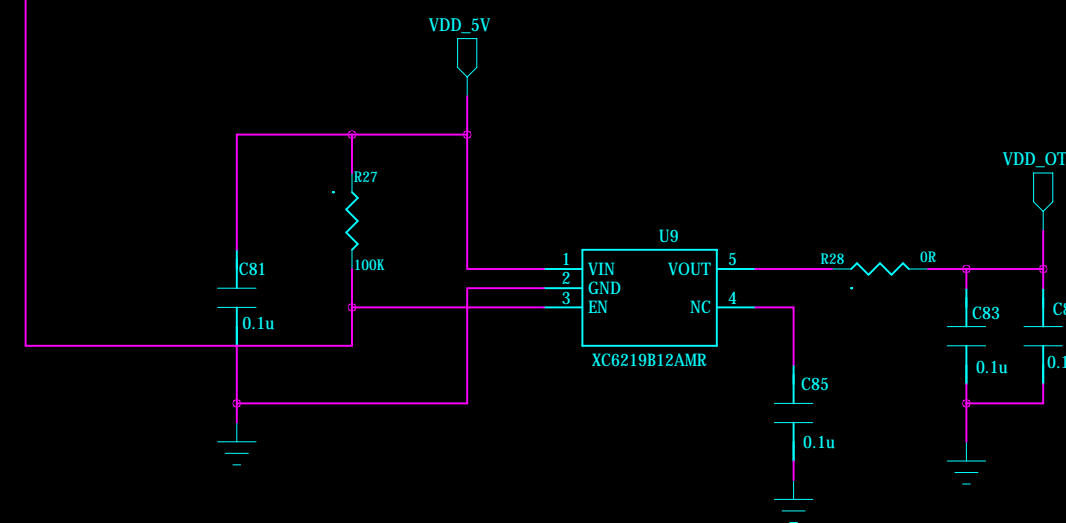
## PLL Power 1.2V



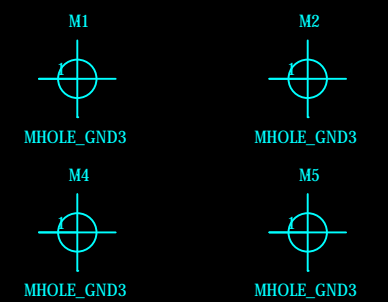
## USB OTG POWER 3.3v



## USB OTGI Power 1.2



This part is not welded

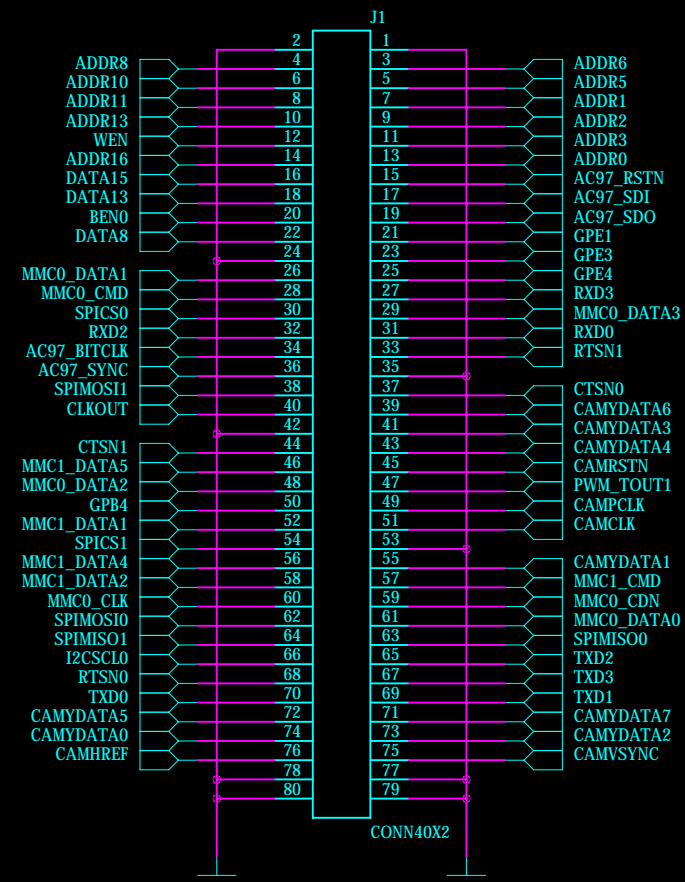
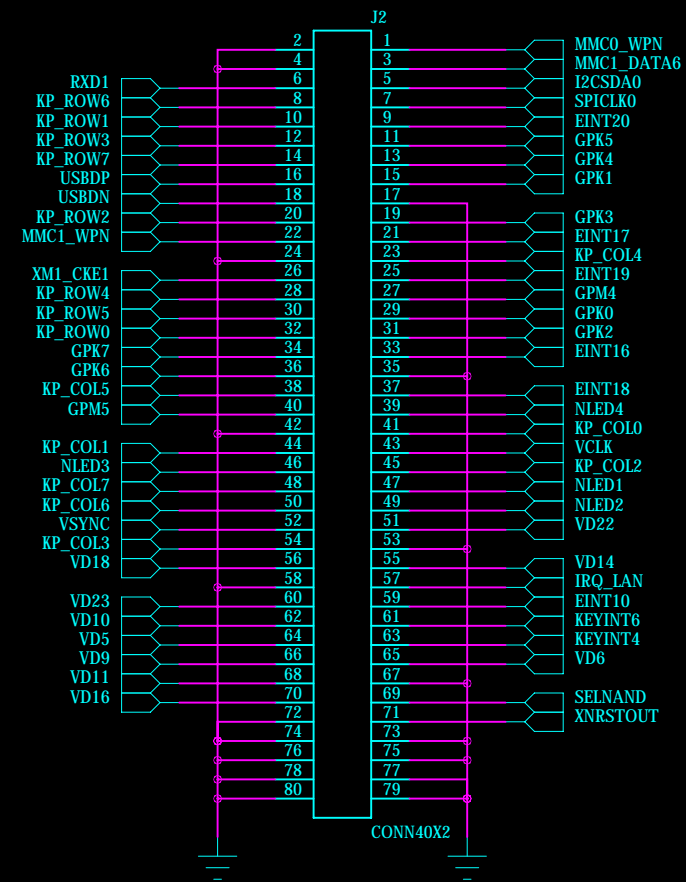


FIXED KONG

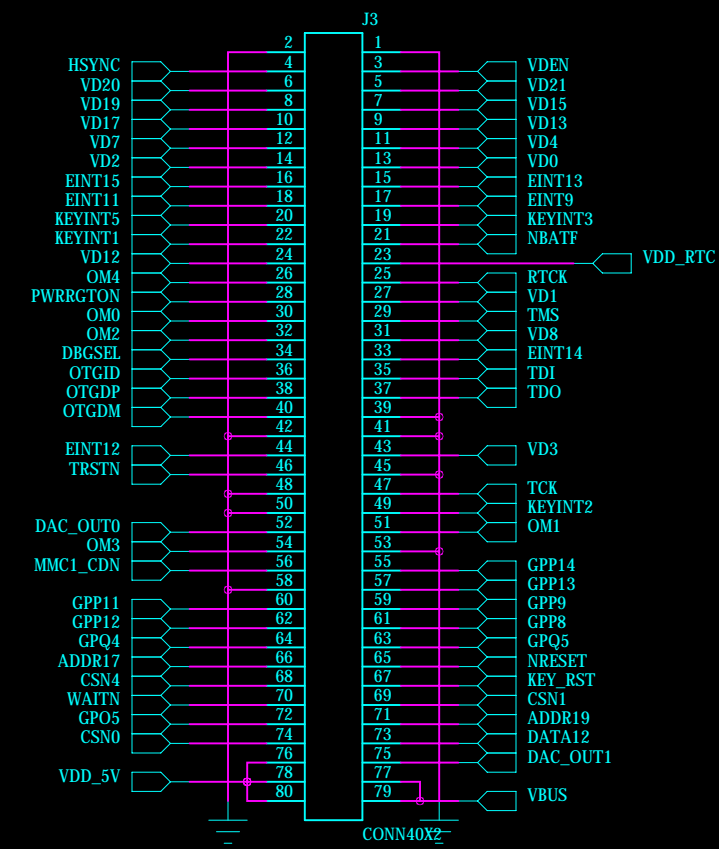
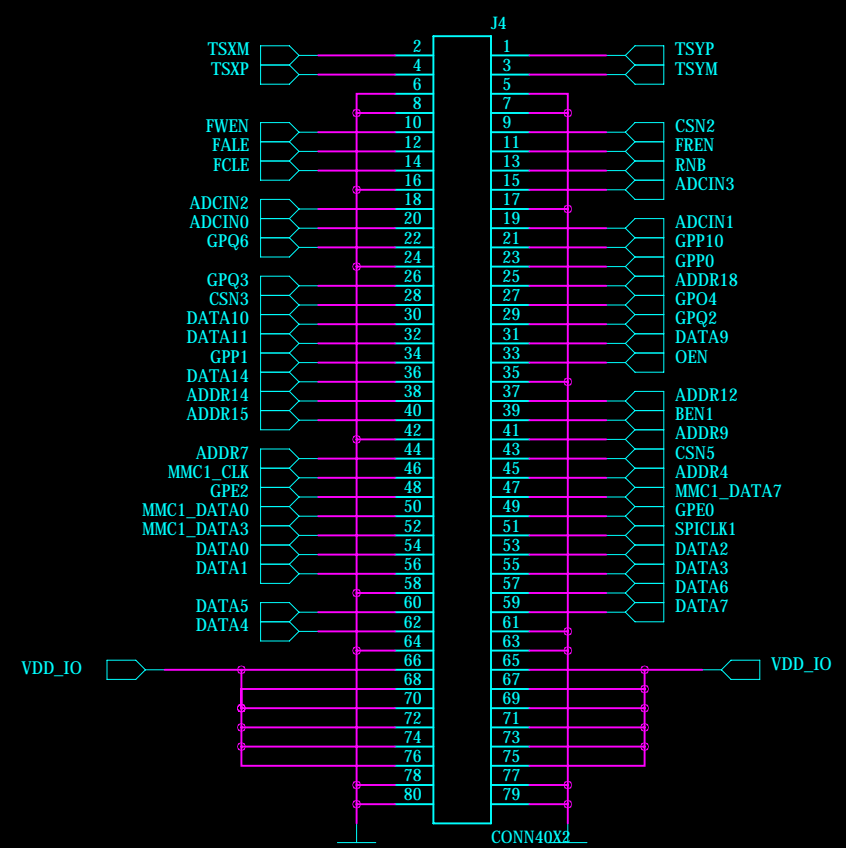
COMPANY: **TE6410 Core Board**

TITLE: **Forlinx Embedded**

HOME: **www.witech.com.cn**



## CONNECTER



COMPANY: **TE6410 Core Board**

TITLE: **Forlinx Embedded**

HOME: **www.witech.com.cn**