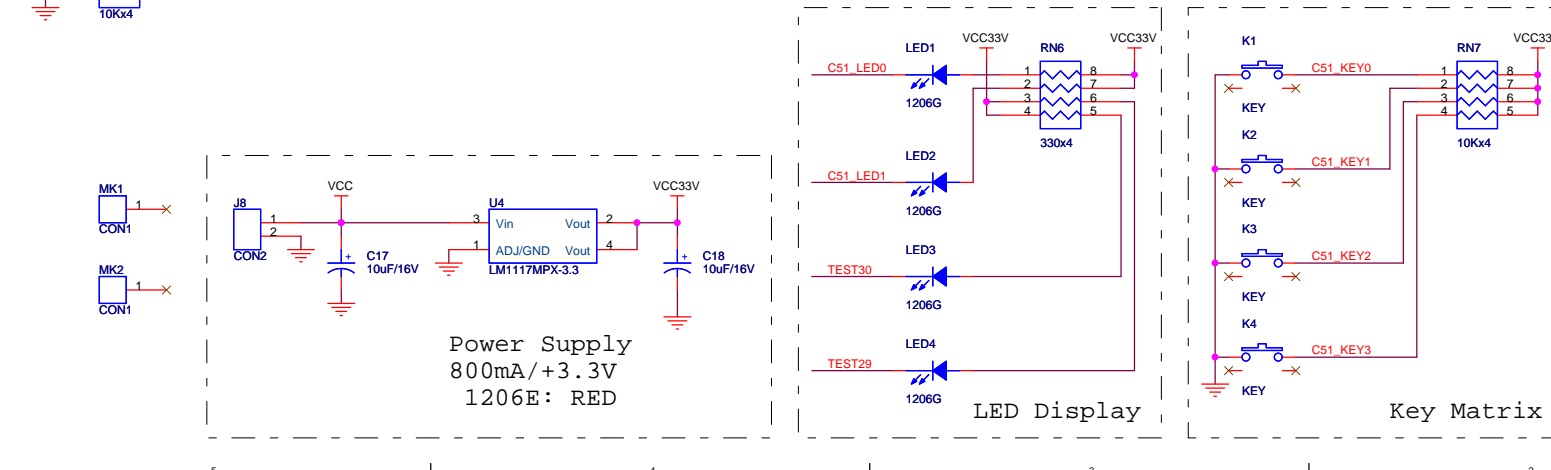
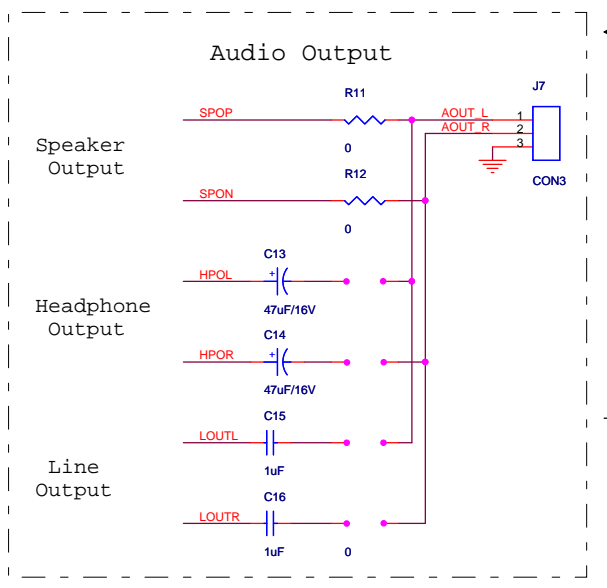
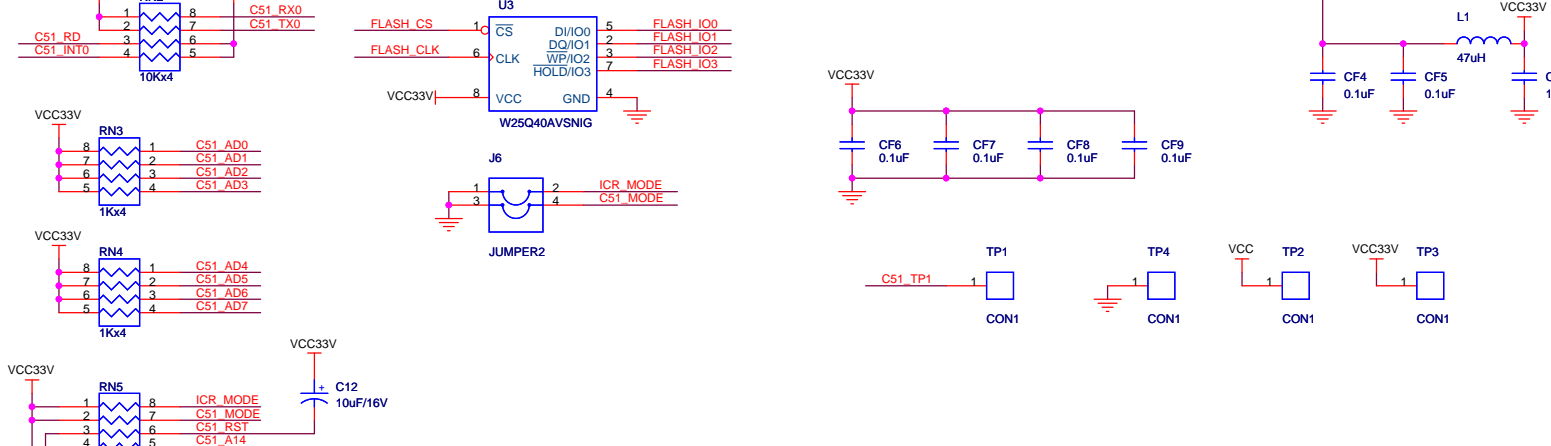
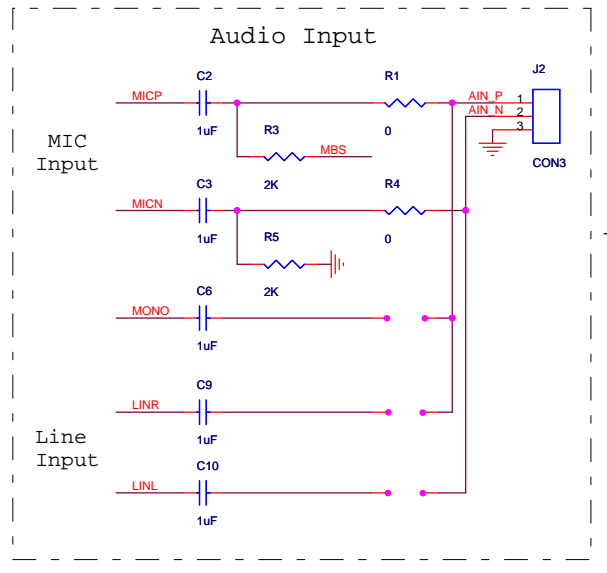
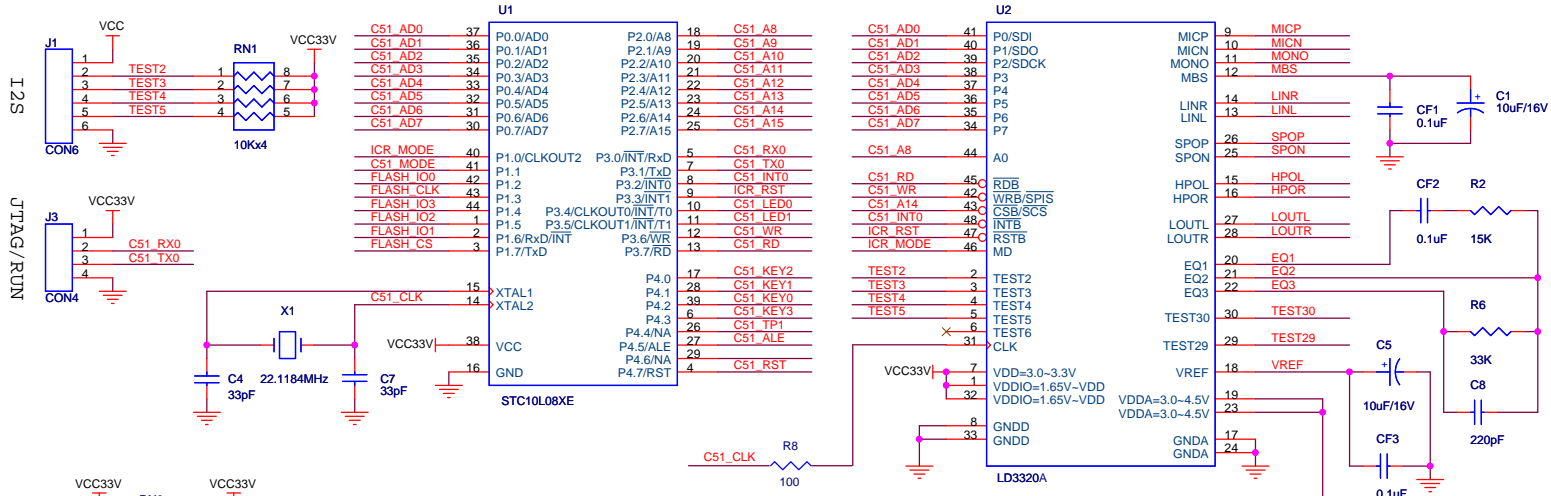


LD3320

www.icroute.com



WWW.ICRoute.com		
Title	Project: ICR_B002	
Size A3	Document Number	LD3320A EVM Board
Date:		Rev 1.0
	Sheet	1 of 1