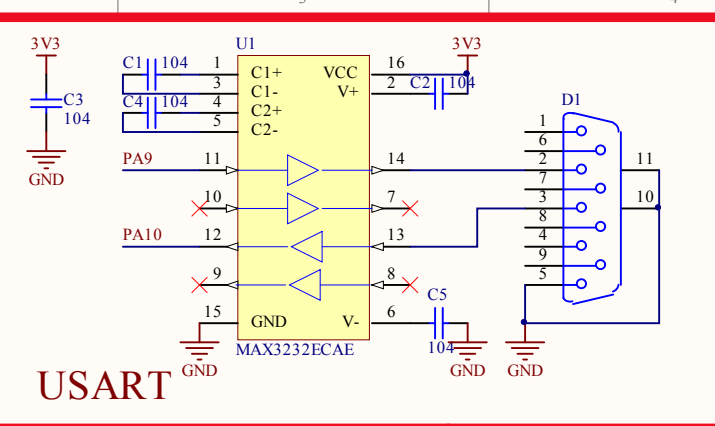
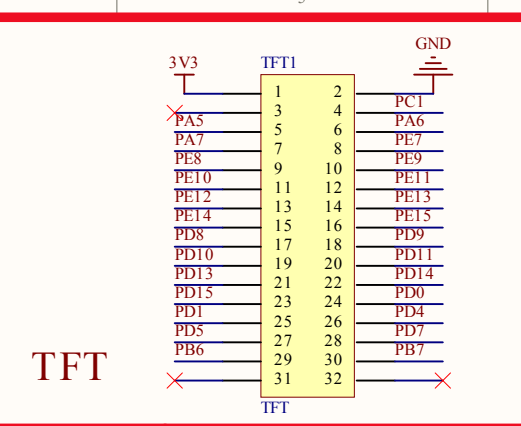


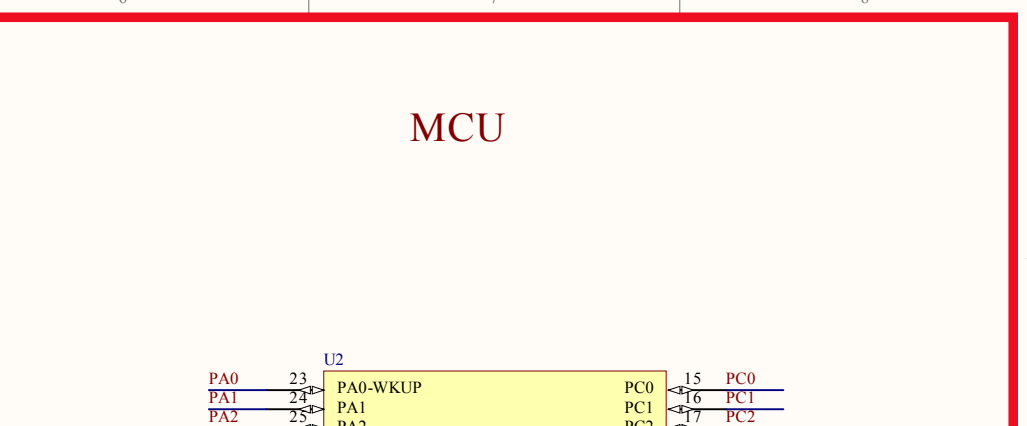
JTAG



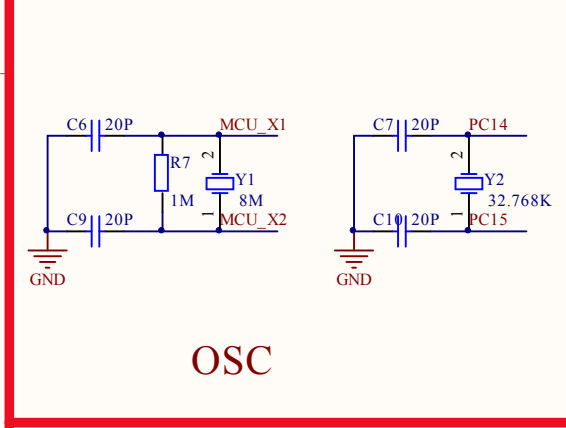
USART



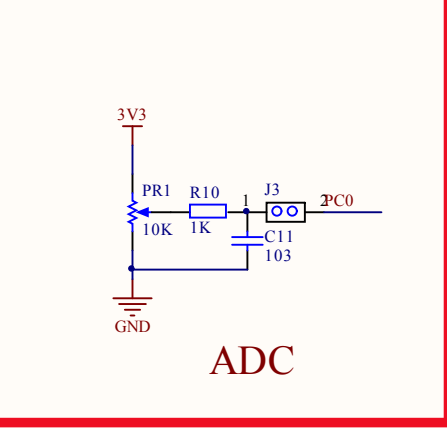
TFT



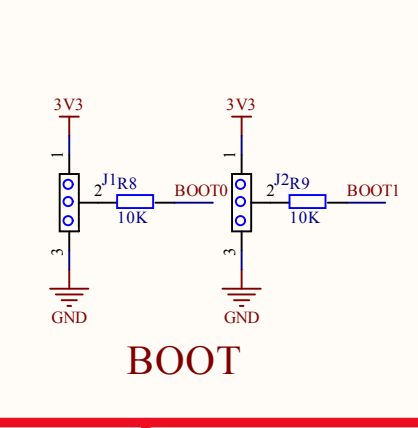
MCU



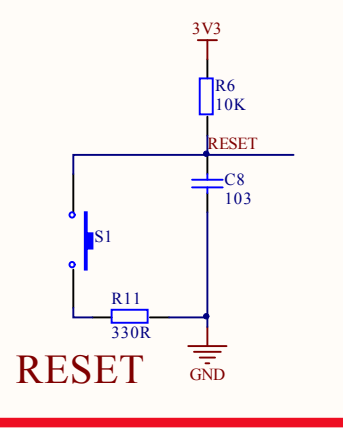
OSC



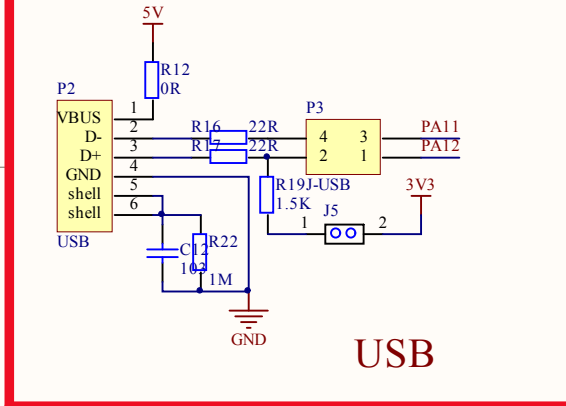
ADC



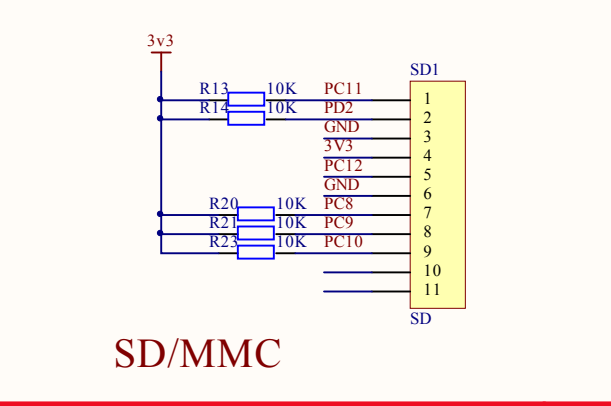
BOOT



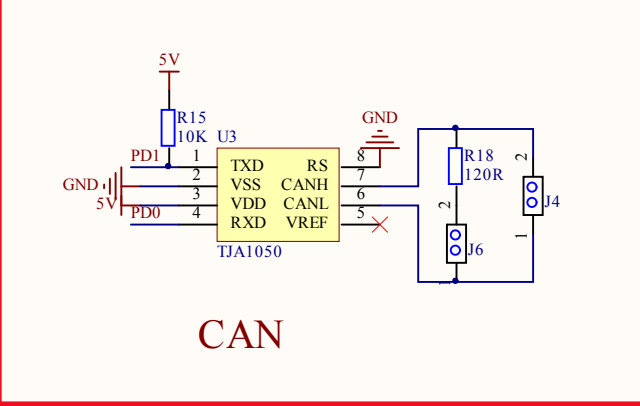
RESET



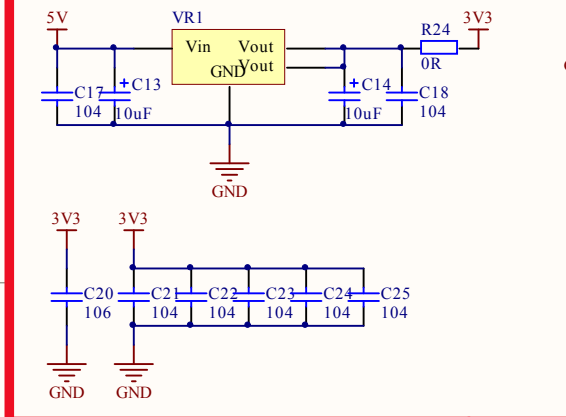
USB



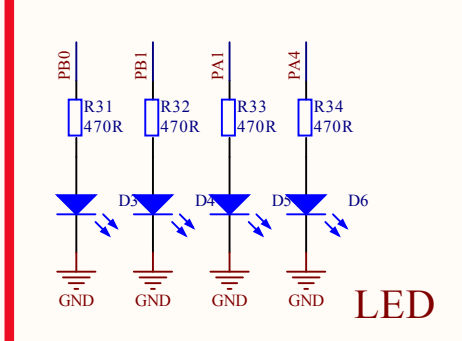
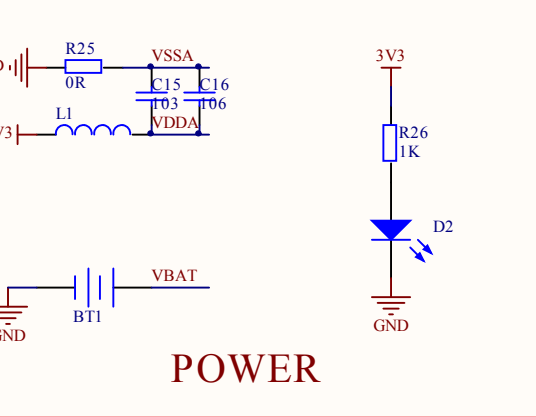
SD/MMC



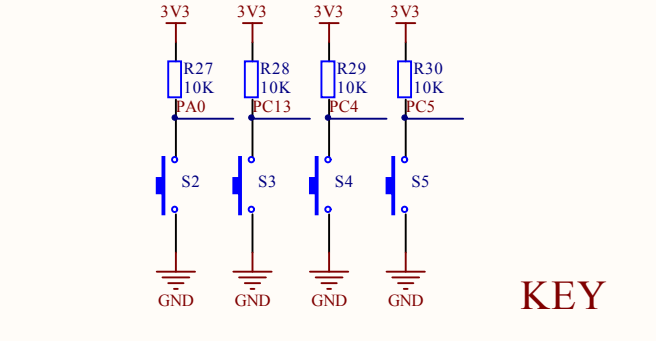
CAN



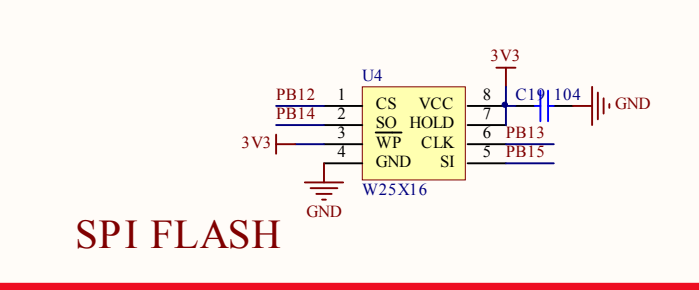
POWER



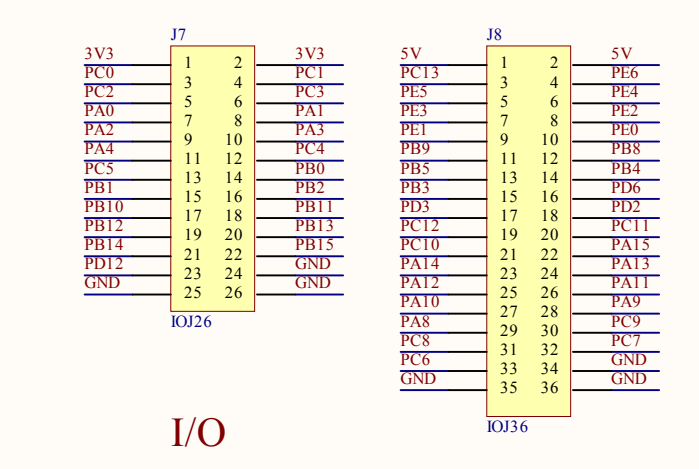
LED



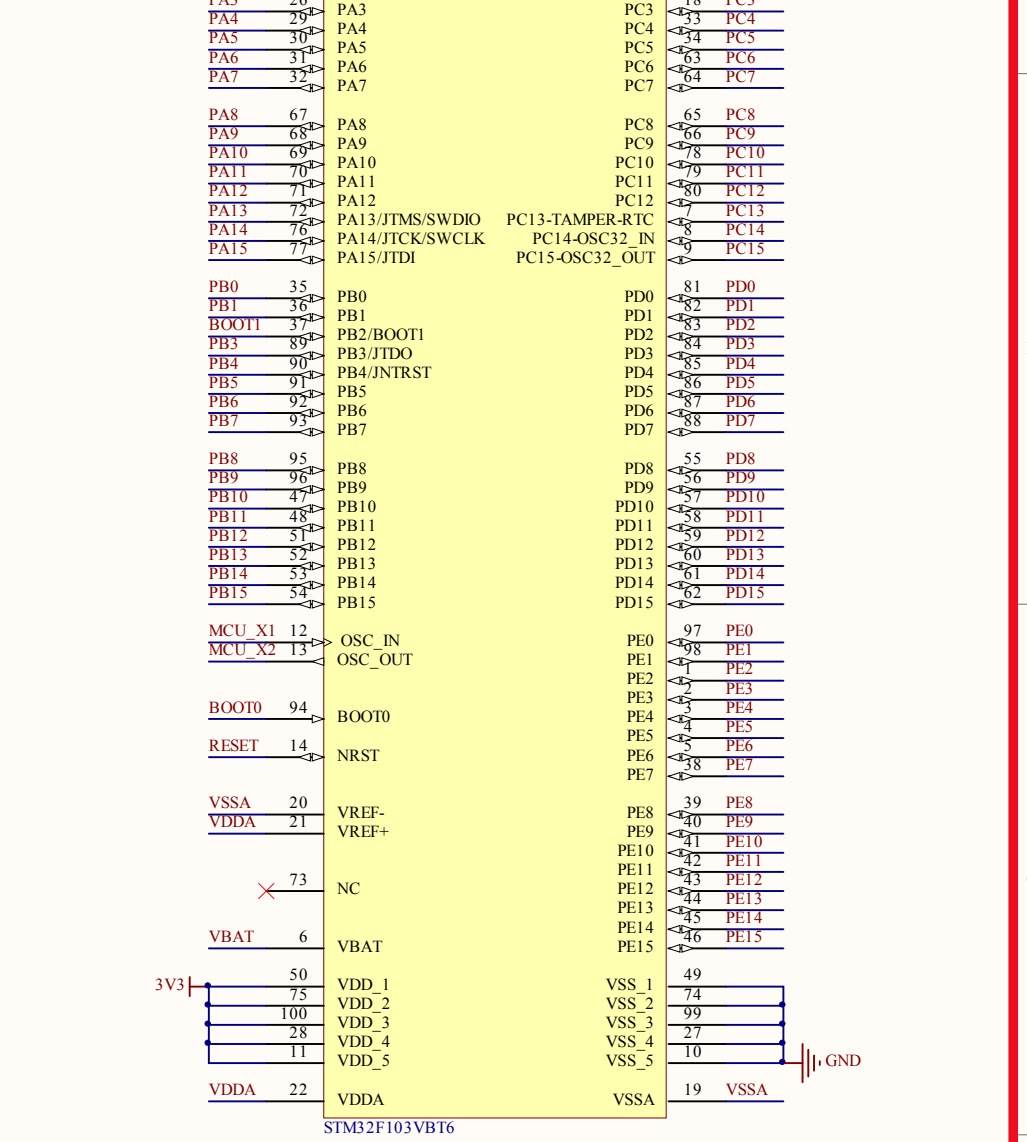
KEY



SPI FLASH



I/O



STM32F103VBT6

Title		
Size A3	Number	Revision
Date: 2010-9-26	Sheet of	
File: D:\stm32\	..SchDoc	Drawn By:

Comment	Description	Designator	Footprint	LibRef	Quantity
Battery	Multicell Battery	BT1	CR1220	Battery	1
C0603	Capacitor	C1, C2, C3, C4, C5, C6, C7, C8, C9, C10, C11, C12, C15, C17, C18, C19, C21, C22, C23, C24, C25	0603	C0603	21
CAP	Polarized Capacitor (Radial)	C13, C14	CAPPR5-5x5	CAP	2
C0603	Capacitor	C16, C20	0805	C0603	2
D-SUB	Receptacle Assembly, 9 Position, Right Angle	D1	DB9/M	D-SUB	1
LED	Typical RED GaAs LED	D2, D3, D4, D5, D6	LED0805	LED	5
JP1X3		J1, J2	JP3	JP1X3	2
JP1X2		J3, J4, J5, J6	JP2	JP1X2	4
IOJ26		J7	HDR2X13	IOJ26	1
IOJ36		J8	HDR2X18	IOJ36	1
Inductor	Inductor	L1	0603	Inductor	1
JTAG	Header, 10-Pin, Dual row	P1	JTAG	JTAG	1
USB		P2	USB-B	USB	1
J-USB	Header, 2-Pin, Dual row, Right Angle	P3	JP2X2	J-USB	1
PR	Potentiometer	PR1	PR	PR	1
R0603	Resistor	R1, R2, R3, R4, R5, R6, R7, R8, R9, R10, R11, R12, R13, R14, R15, R16, R17, R18, R19, R20, R21, R22, R23, R24, R25, R26, R27, R28, R29, R30, R31, R32, R33, R34	0603	R0603	34
KEY	Switch	S1, S2, S3, S4, S5	KEY	KEY	5
SD		SD1	SD	SD	1
TFT		TFT1	TFT	TFT	1
MAX3232ECAE	?5kV ESD-Protected, 3.0V to 5.5V, Low-Power, up to 250kbps, True RS-232 Transceiver	U1	SO-16	MAX3232ECAE	1
STM32F103VBT6	STM32 ARM-based 32-bit MCU with 64 Kbytes Flash, 100-pin LQFP, Industrial Temperature	U2	LQFP100_M	STM32F103VBT6	1
TJA1050		U3	SO8	TJA1050	1
W25X16		U4	SOIC8	W25X16	1
LM1117	Voltage Regulator	VR1	SOT223	LM1117	1
XTAL	Crystal Oscillator	Y1	XTAL1	XTAL	1
XTAL	Crystal Oscillator	Y2	R38	XTAL	1