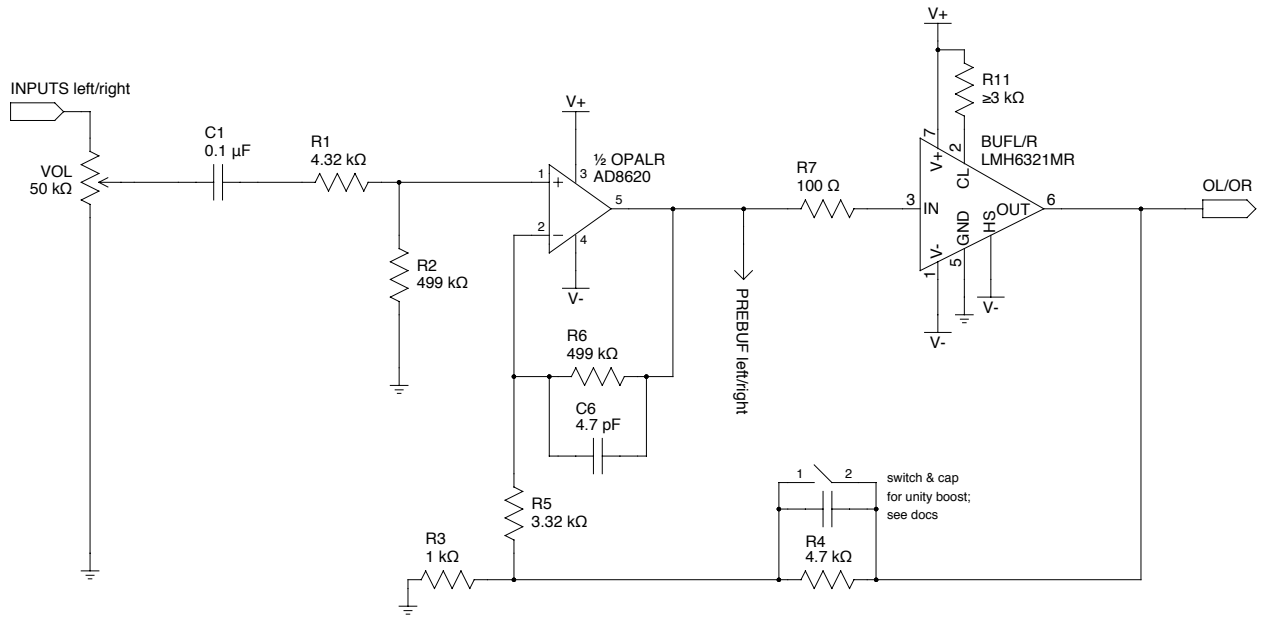
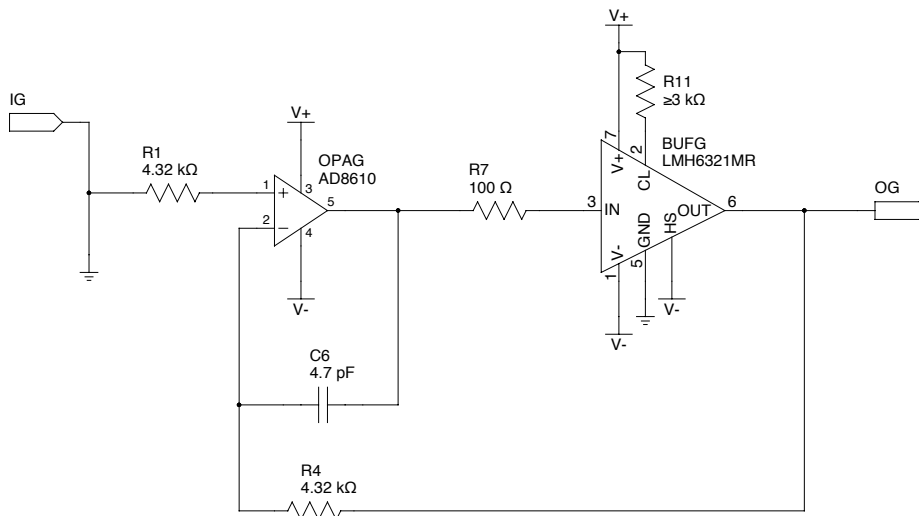


### LEFT AND RIGHT CHANNELS

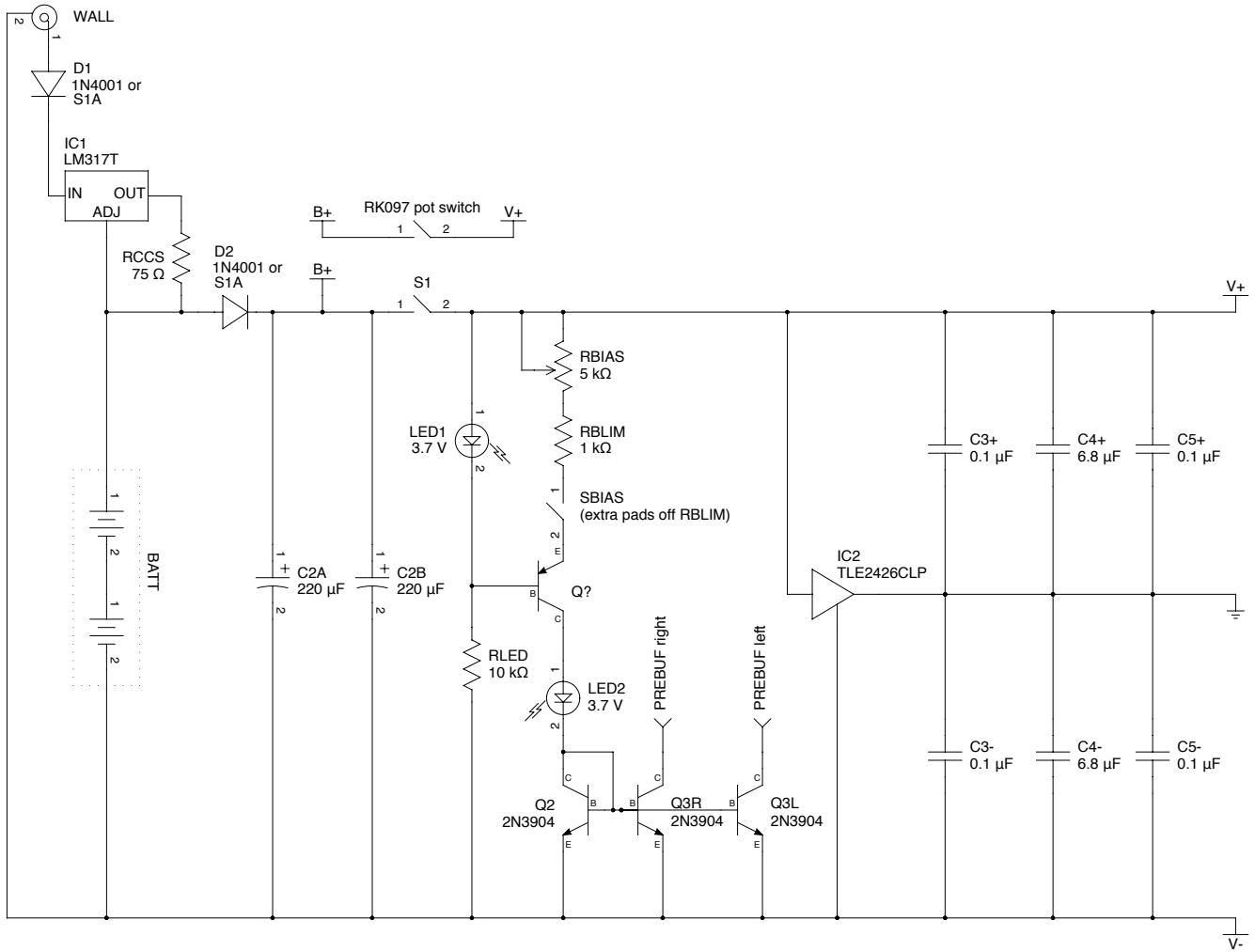


### GROUND CHANNEL



TITLE PIMETA v2 Headphone Amplifier: Amp Channels		
FILE: \$Id: pimeta-v2-amp.gsch 6786 2010-05-02 05:32:49Z tangent \$		
DATE 2010.05.02	REVISION: \$Revision: 6786 \$ for PCB v2.01	
PAGE 1	OF 2	DRAWN BY: Warren Young
URL <a href="http://tangentsoft.net/audio/pimeta2/">http://tangentsoft.net/audio/pimeta2/</a>		

# POWER SUPPLY



TITLE PIMETA v2 Headphone Amplifier: Power Supply Section		
FILE: \$Id: pimeta-v2-power.gsch 6783 2010-05-02 04:46:53Z tangent \$		
DATE 2010.06.14	REVISION: \$Revision: 6783 \$ for PCB v2.01	
PAGE 2	OF 2	DRAWN BY: Warren Young
URL <a href="http://tangentsoft.net/audio/pimeta2/">http://tangentsoft.net/audio/pimeta2/</a>		