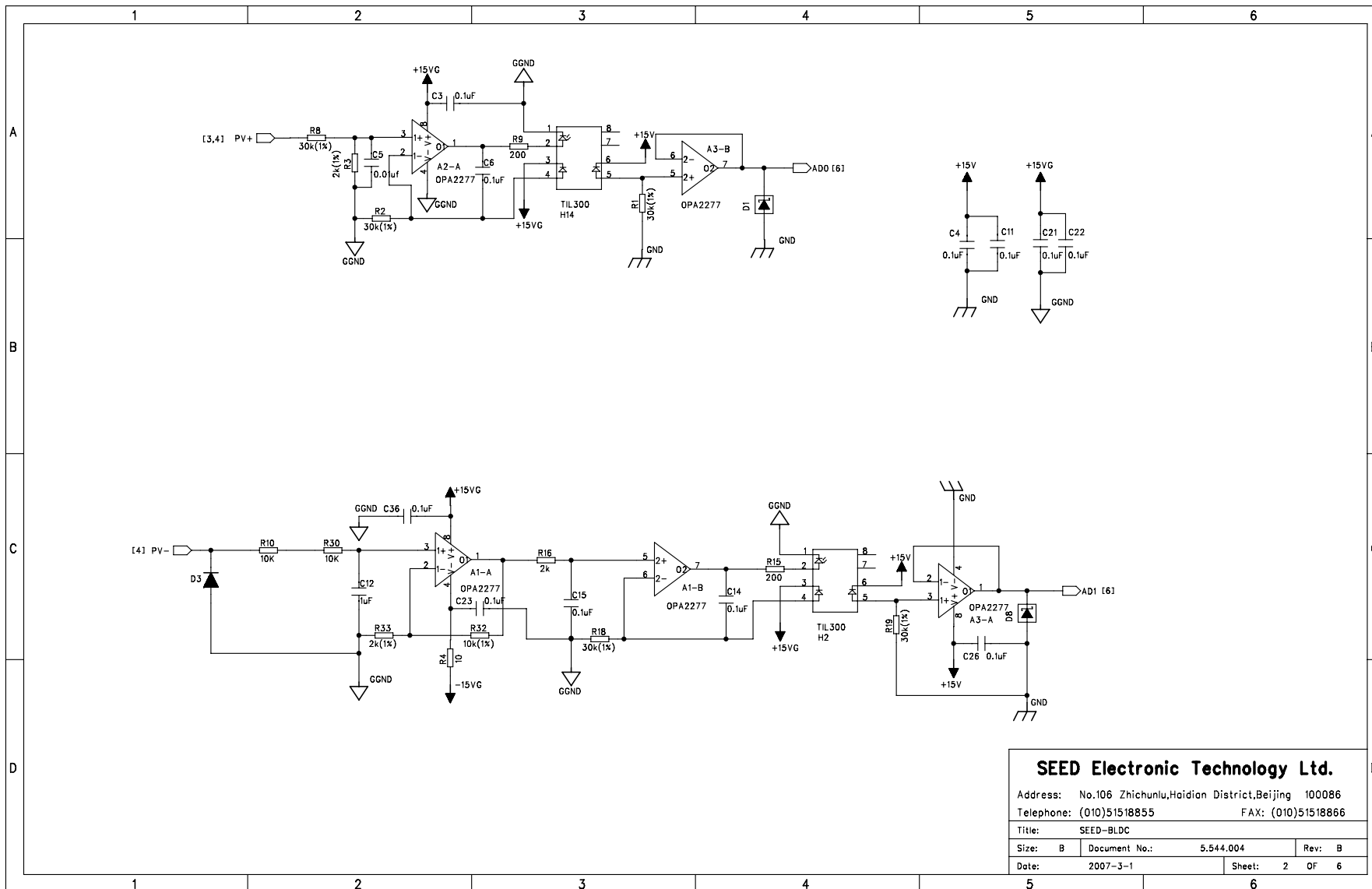
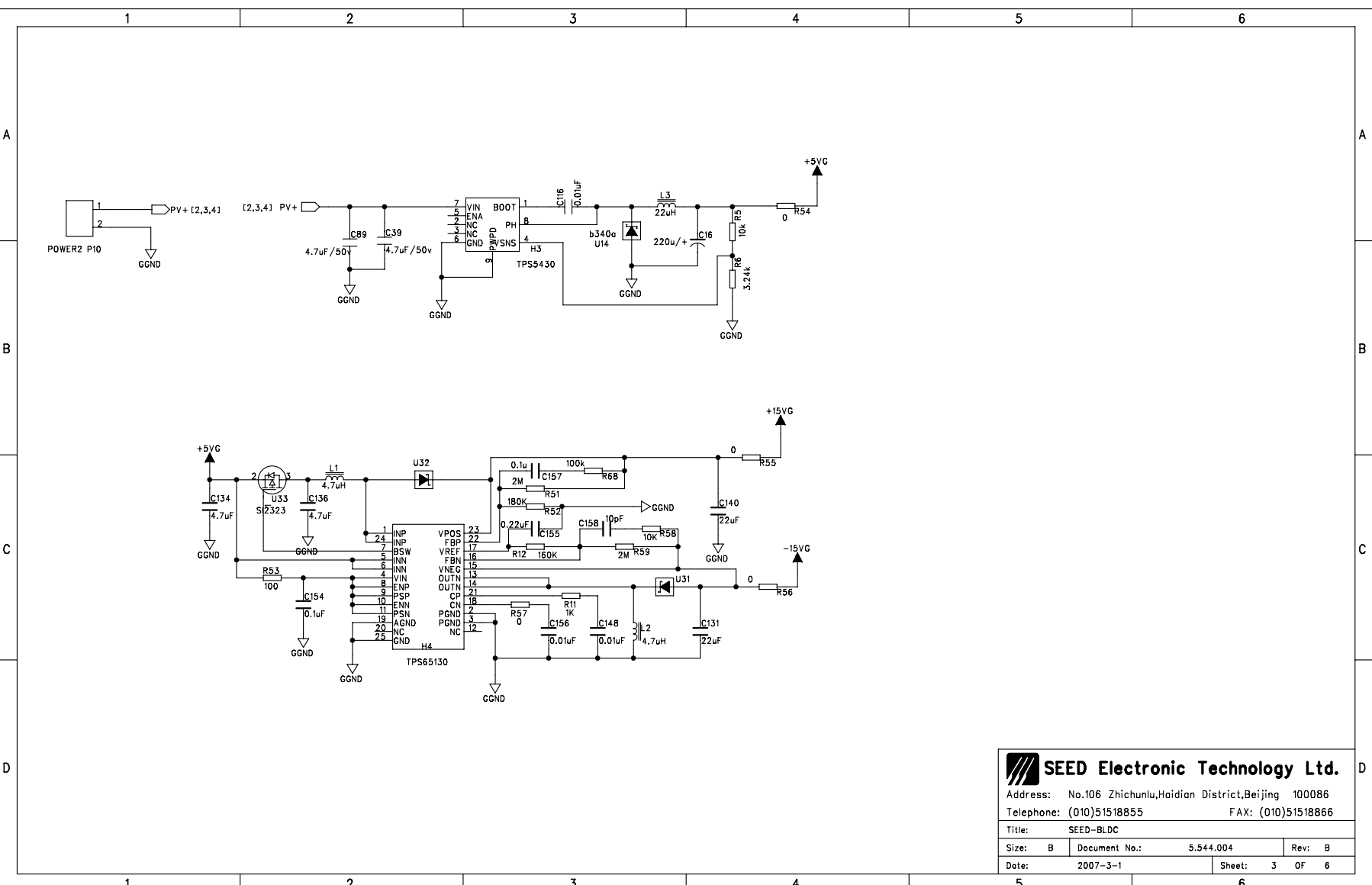


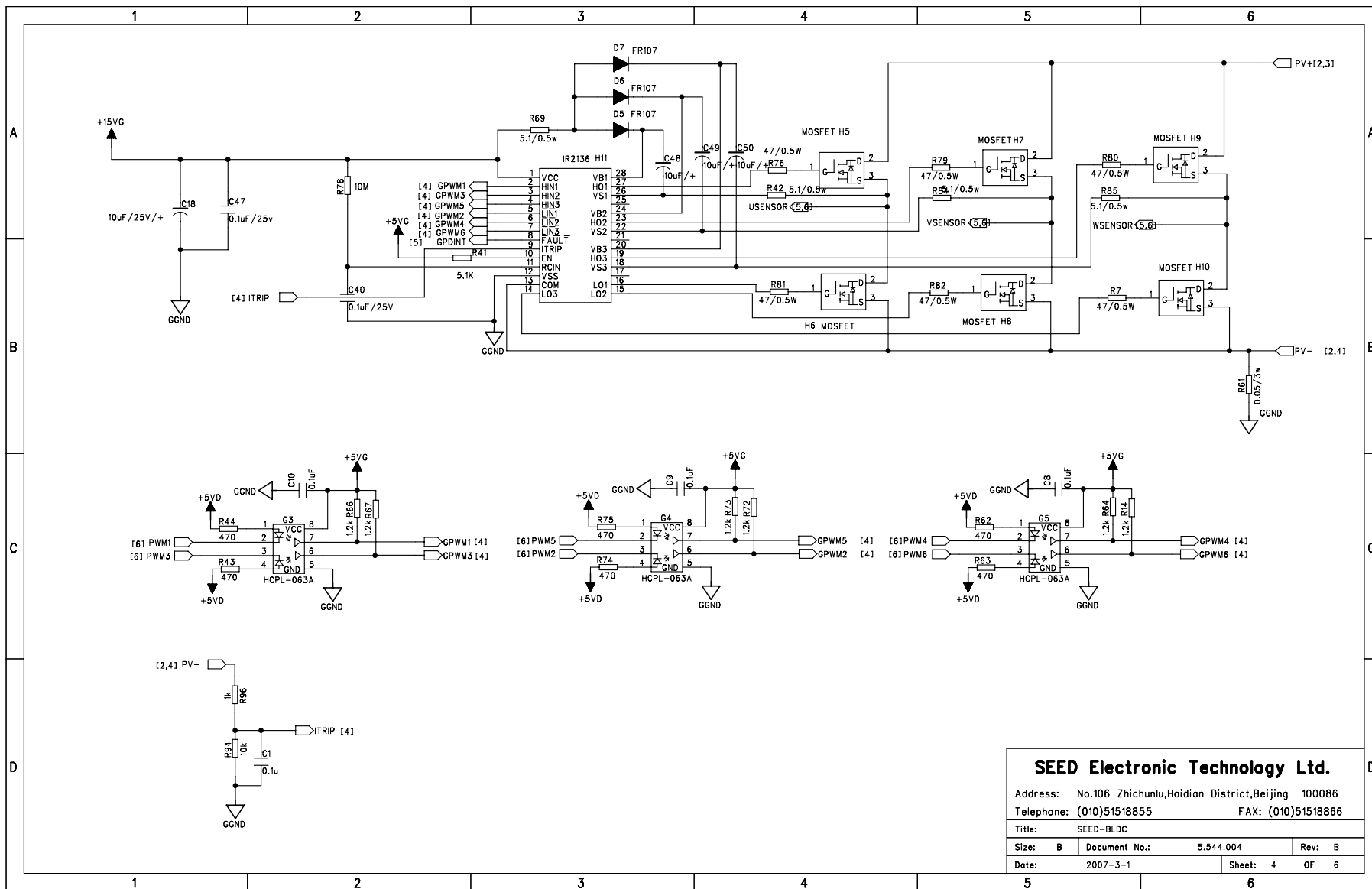
1	2	3	4	5	6																																																																								
<p><b>Notes, Unless Otherwise Specified:</b></p> <ol style="list-style-type: none"> <li>1. Resistance Values are in Ohms.</li> <li>2. Capacitance Values are in Microfarads.</li> <li>3. Inductance Values are in Microhenries.</li> <li>4. Highest Reference Designator used:                             <table style="margin-left: 20px; border: none;"> <tr><td>A. IC's</td><td>H16</td></tr> <tr><td>B. Resistors</td><td>R156</td></tr> <tr><td>C. Capacitors</td><td>C158</td></tr> <tr><td>D. Inductors</td><td>L5</td></tr> <tr><td>E. Transistors</td><td>--</td></tr> <tr><td>F. LED</td><td>D16</td></tr> <tr><td>G. Crystals</td><td>--</td></tr> <tr><td>H. Connectors/Headers</td><td>p6</td></tr> <tr><td>I. Switches</td><td>--</td></tr> <tr><td>J. Test Points</td><td>--</td></tr> </table> </li> <li>5. The following is the list of uninstalled parts:</li> <li>6. All 0.1uF and 0.01uF caps are decoupling caps unless otherwise noted. They are shown on the page with ICs they should be placed near.</li> <li>7. Board Properties:                             <ol style="list-style-type: none"> <li>A. Route to within 10% MANHATTAN Distance</li> <li>B. 50 +/-5 Ohm Matched Impedance</li> <li>C. Outer Layers 0.5 OZ Cu /W 0.5 OZ Au Plating</li> <li>D. Inner Layer 0 OZ Cu</li> <li>E. FR4 Board Material</li> <li>F. Minimum Trace Width/Spacing 11 Mils</li> <li>G. Minimum Via Size 15/25 Mils</li> <li>H. Approximate Board Size 11.5 x 10 cm^2</li> <li>I. Layer Stackup:                                     <ol style="list-style-type: none"> <li>1. Top - Signal Routing</li> <li>2. Bottom - Signal Routing</li> </ol> </li> </ol> </li> </ol>			A. IC's	H16	B. Resistors	R156	C. Capacitors	C158	D. Inductors	L5	E. Transistors	--	F. LED	D16	G. Crystals	--	H. Connectors/Headers	p6	I. Switches	--	J. Test Points	--	<table border="1" style="width:100%; border-collapse: collapse;"> <tr> <th style="width:10%;">REV</th> <th style="width:70%;">Description</th> <th style="width:10%;">Date</th> <th style="width:10%;">Approved</th> </tr> <tr><td> </td><td> </td><td> </td><td> </td></tr> <tr><td> </td><td> </td><td> </td><td> </td></tr> <tr><td> </td><td> </td><td> </td><td> </td></tr> <tr><td> </td><td> </td><td> </td><td> </td></tr> </table>	REV	Description	Date	Approved																																																		
			A. IC's	H16																																																																									
			B. Resistors	R156																																																																									
			C. Capacitors	C158																																																																									
D. Inductors	L5																																																																												
E. Transistors	--																																																																												
F. LED	D16																																																																												
G. Crystals	--																																																																												
H. Connectors/Headers	p6																																																																												
I. Switches	--																																																																												
J. Test Points	--																																																																												
REV	Description	Date	Approved																																																																										
<table border="1" style="width:100%; border-collapse: collapse;"> <tr> <th colspan="8">Revision Status of Sheets</th> </tr> <tr> <td>REV</td><td></td><td></td><td></td><td></td><td></td><td></td><td></td> </tr> <tr> <td>SH</td><td></td><td></td><td></td><td></td><td></td><td></td><td></td> </tr> <tr> <td>REV</td><td></td><td></td><td></td><td></td><td></td><td></td><td></td> </tr> <tr> <td>SH</td><td></td><td></td><td></td><td></td><td></td><td></td><td></td> </tr> <tr> <td>REV</td><td></td><td></td><td></td><td></td><td></td><td></td><td></td> </tr> <tr> <td>SH</td><td>B</td><td>9</td><td>10</td><td>11</td><td>12</td><td>13</td><td>14</td> </tr> <tr> <td>REV</td><td></td><td></td><td></td><td></td><td></td><td></td><td></td> </tr> <tr> <td>SH</td><td>1</td><td>2</td><td>3</td><td>4</td><td>5</td><td>6</td><td>7</td> </tr> </table>			Revision Status of Sheets								REV								SH								REV								SH								REV								SH	B	9	10	11	12	13	14	REV								SH	1	2	3	4	5	6	7	<p><b>Schematic Index:</b></p> <ol style="list-style-type: none"> <li>1. (Board Name) Notes and Contents</li> <li>2. VOLTAGE&amp;CURRENT</li> <li>3. POWER</li> <li>4. DRIVER</li> <li>5. NOSENSOR</li> <li>6. INTEFACE</li> </ol>		
			Revision Status of Sheets																																																																										
			REV																																																																										
			SH																																																																										
REV																																																																													
SH																																																																													
REV																																																																													
SH	B	9	10	11	12	13	14																																																																						
REV																																																																													
SH	1	2	3	4	5	6	7																																																																						
<table border="1" style="width:100%; border-collapse: collapse;"> <tr> <td style="width:50%;">DWN:</td> <td style="width:50%;">Date:</td> </tr> <tr> <td>CHK:</td> <td>Date:</td> </tr> <tr> <td>ENGR:</td> <td>Date:</td> </tr> <tr> <td>MGR:</td> <td>Date:</td> </tr> <tr> <td>QA:</td> <td>Date:</td> </tr> <tr> <td>MFG:</td> <td>Date:</td> </tr> <tr> <td>RLSE:</td> <td>Date:</td> </tr> </table>			DWN:	Date:	CHK:	Date:	ENGR:	Date:	MGR:	Date:	QA:	Date:	MFG:	Date:	RLSE:	Date:	<table border="1" style="width:100%; border-collapse: collapse;"> <tr> <td colspan="4" style="text-align:center;"><b>SEED Electronic Technology Ltd.</b></td> </tr> <tr> <td colspan="4">Address: No.106 Zhichunlu,Haidian District,Beijing 100086</td> </tr> <tr> <td colspan="2">Telephone: (010)51518855</td> <td colspan="2">FAX: (010)51518866</td> </tr> <tr> <td colspan="4">Title: SEED-BLDC</td> </tr> <tr> <td>Size: B</td> <td>Document No.: 5.544.004</td> <td colspan="2">Rev: A</td> </tr> <tr> <td>Date: 2007-3-1</td> <td>Sheet: 1</td> <td colspan="2">OF 6</td> </tr> </table>			<b>SEED Electronic Technology Ltd.</b>				Address: No.106 Zhichunlu,Haidian District,Beijing 100086				Telephone: (010)51518855		FAX: (010)51518866		Title: SEED-BLDC				Size: B	Document No.: 5.544.004	Rev: A		Date: 2007-3-1	Sheet: 1	OF 6																																			
			DWN:	Date:																																																																									
			CHK:	Date:																																																																									
			ENGR:	Date:																																																																									
MGR:	Date:																																																																												
QA:	Date:																																																																												
MFG:	Date:																																																																												
RLSE:	Date:																																																																												
<b>SEED Electronic Technology Ltd.</b>																																																																													
Address: No.106 Zhichunlu,Haidian District,Beijing 100086																																																																													
Telephone: (010)51518855		FAX: (010)51518866																																																																											
Title: SEED-BLDC																																																																													
Size: B	Document No.: 5.544.004	Rev: A																																																																											
Date: 2007-3-1	Sheet: 1	OF 6																																																																											
1	2	3	4	5	6																																																																								



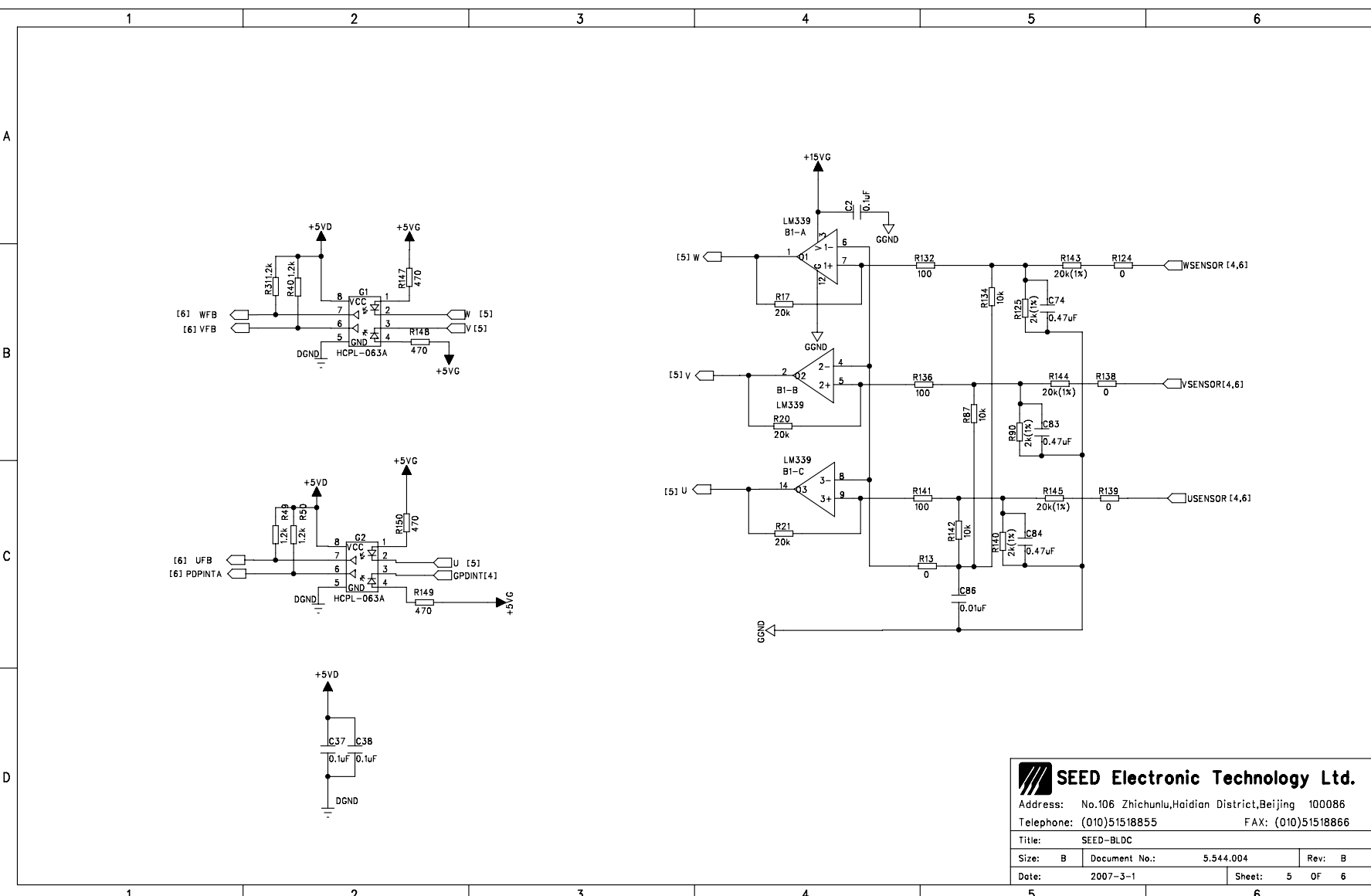
**SEED Electronic Technology Ltd.**  
 Address: No.106 Zhichunlu,Haidian District,Beijing 100086  
 Telephone: (010)51518855 FAX: (010)51518866  
 Title: SEED-BLDC  
 Size: B Document No.: 5.544.004 Rev: B  
 Date: 2007-3-1 Sheet: 2 OF 6



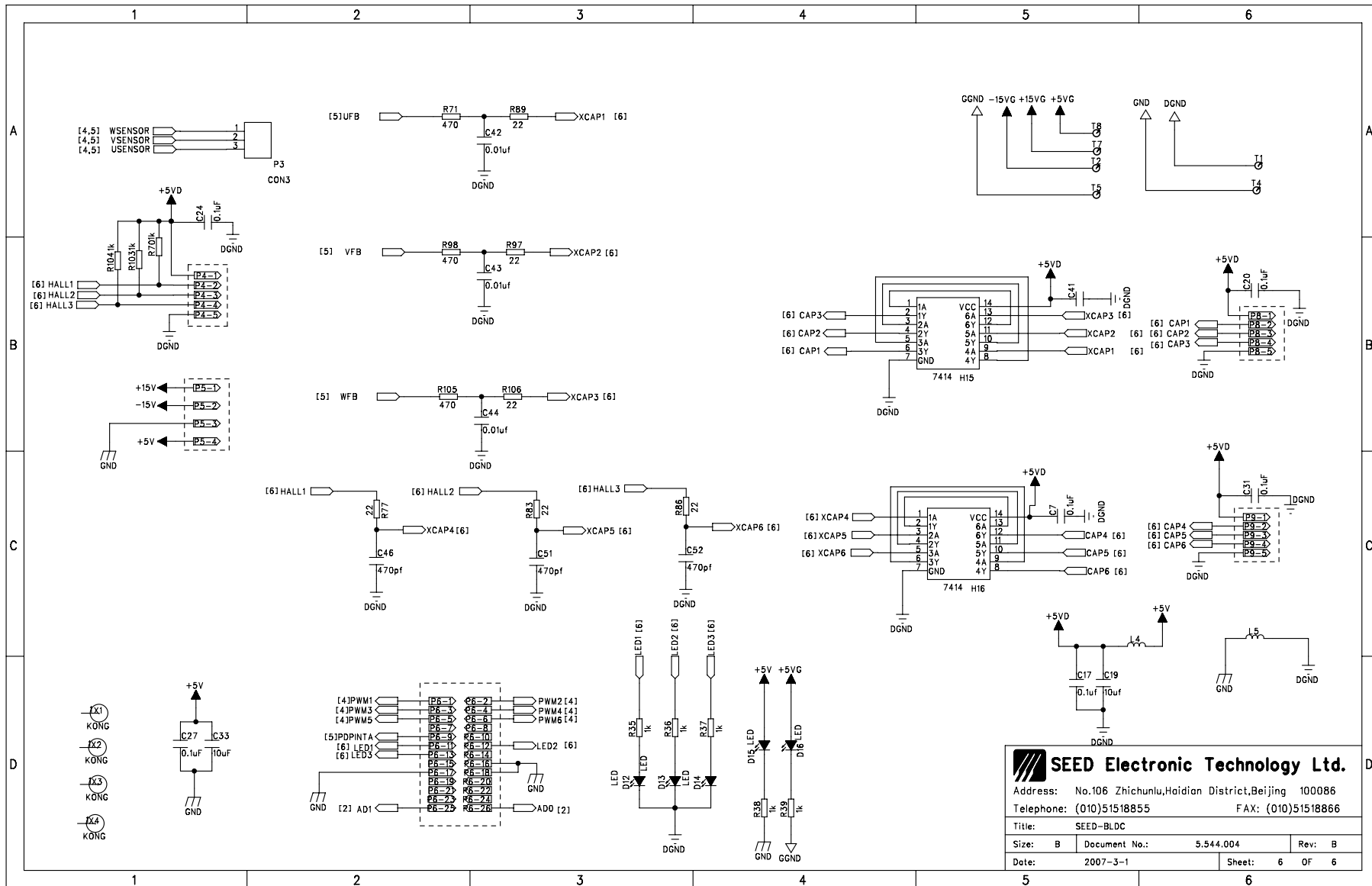
**SEED Electronic Technology Ltd.**  
 Address: No.106 Zhichunlu, Haidian District, Beijing 100086  
 Telephone: (010)51518855 FAX: (010)51518866  
 Title: SEED-BLDC  
 Size: B Document No.: 5.544.004 Rev: B  
 Date: 2007-3-1 Sheet: 3 OF 6



**SEED Electronic Technology Ltd.**  
 Address: No.106 Zhichunlu, Haidian District, Beijing 100086  
 Telephone: (010)51518855 FAX: (010)51518866  
 Title: SEED-BLDC  
 Size: B Document No.: 5.544.004 Rev: B  
 Date: 2007-3-1 Sheet: 4 OF 6



**SEED Electronic Technology Ltd.**  
 Address: No.106 Zhichunlu, Haidian District, Beijing 100086  
 Telephone: (010)51518855 FAX: (010)51518866  
 Title: SEED-BLDC  
 Size: B Document No.: 5.544.004 Rev: B  
 Date: 2007-3-1 Sheet: 5 OF 6



**SEED Electronic Technology Ltd.**  
 Address: No.106 Zhichunlu, Haidian District, Beijing 100086  
 Telephone: (010)51518855 FAX: (010)51518866  
 Title: SEED-BLDC  
 Size: B Document No.: 5.544.004 Rev: B  
 Date: 2007-3-1 Sheet: 6 OF 6