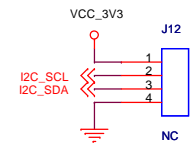
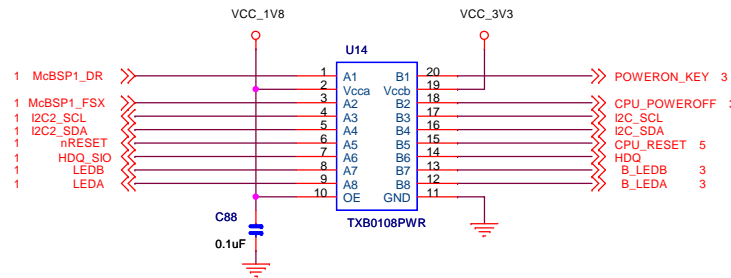
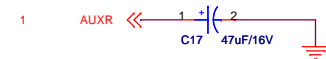
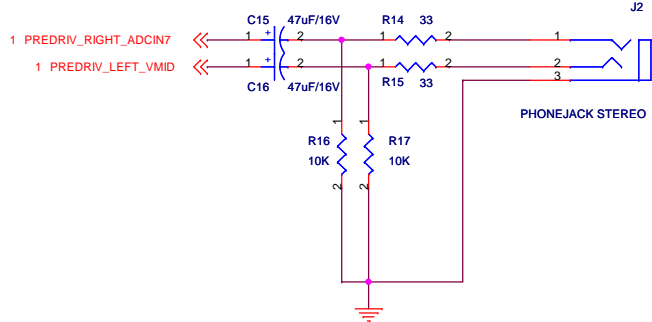
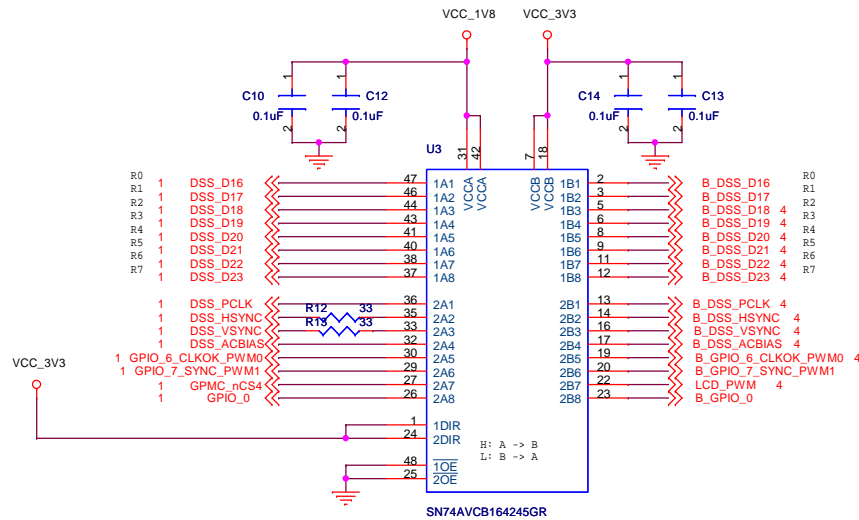
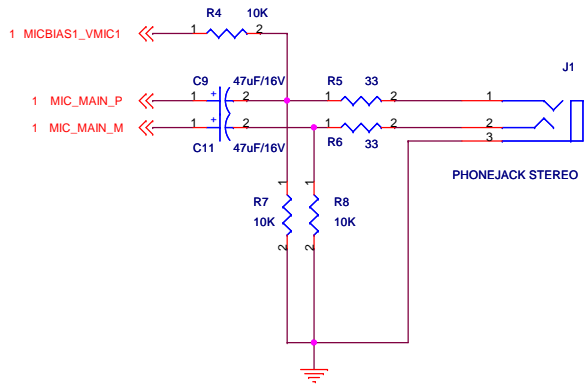
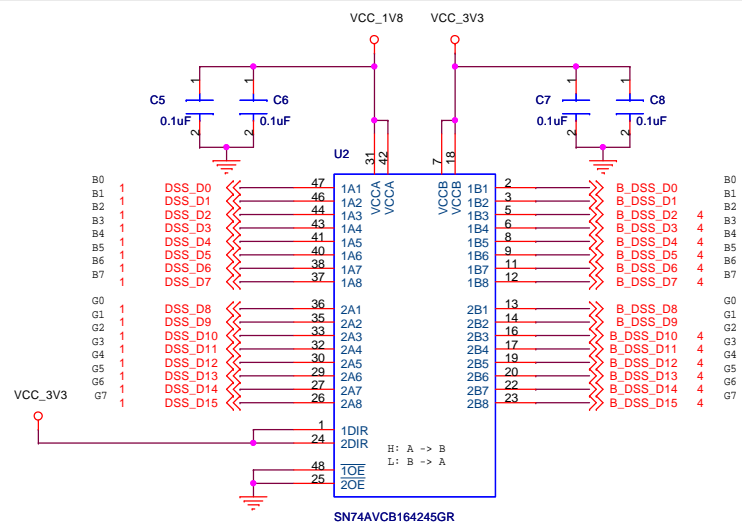
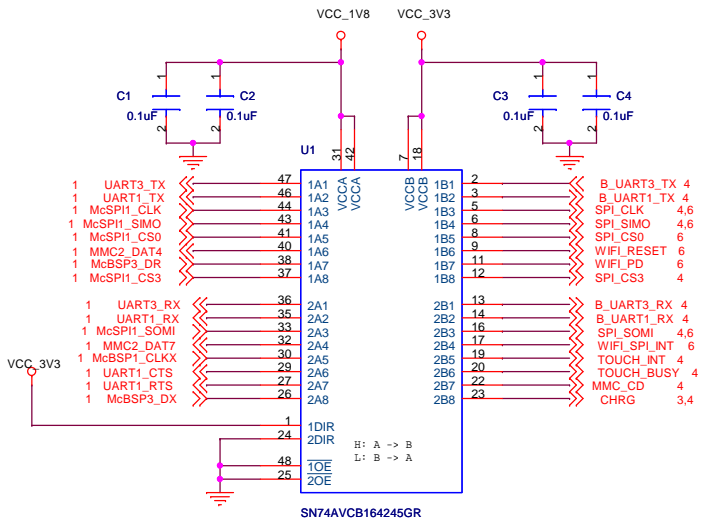
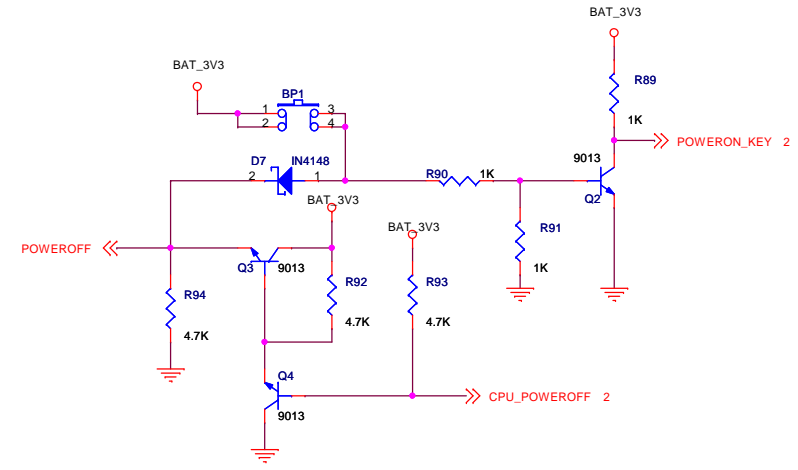
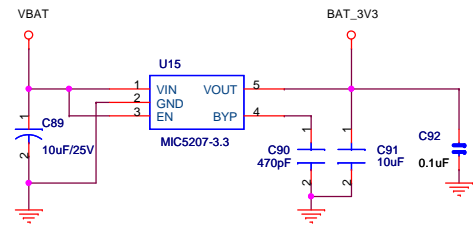
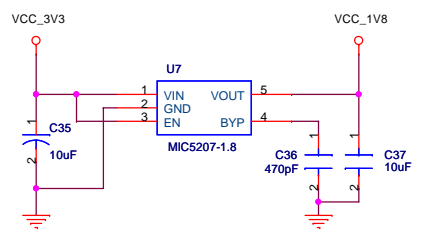
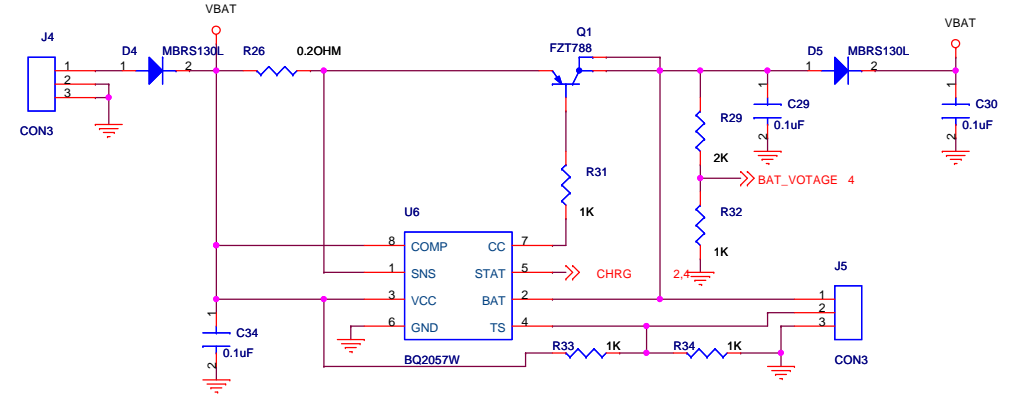
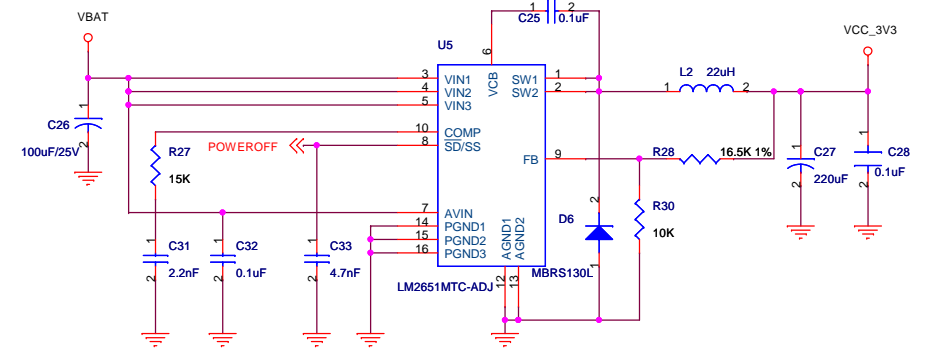
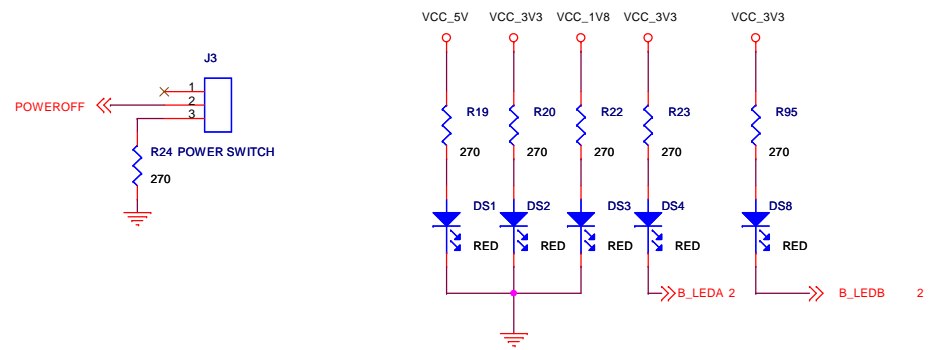
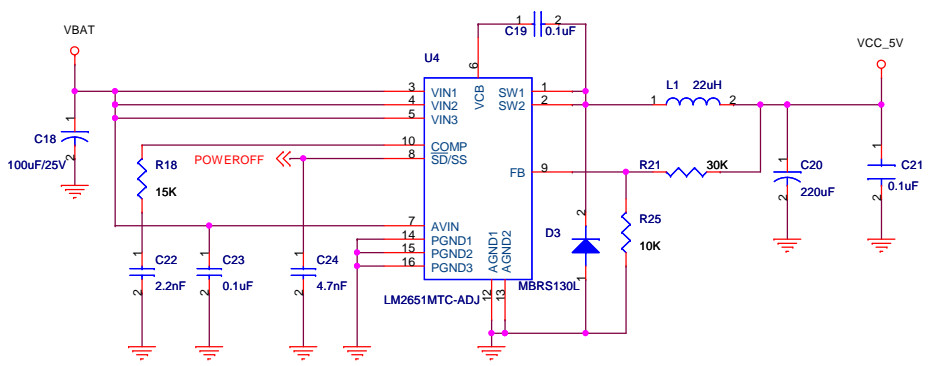
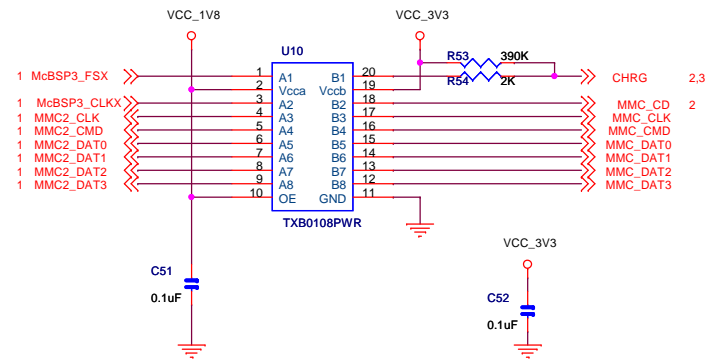
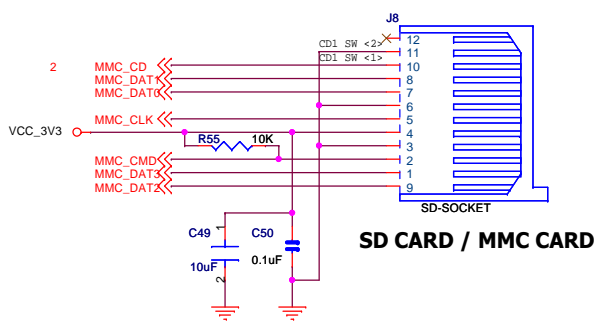
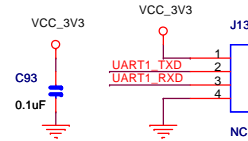
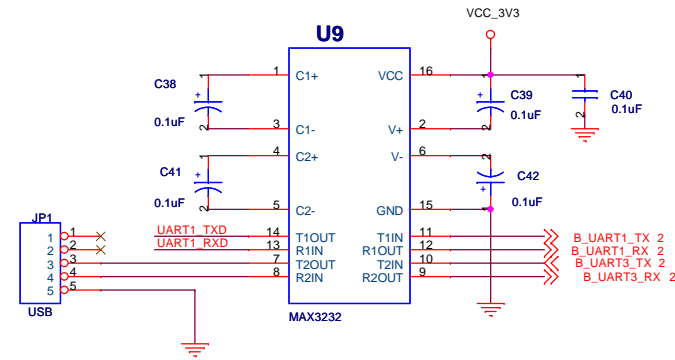
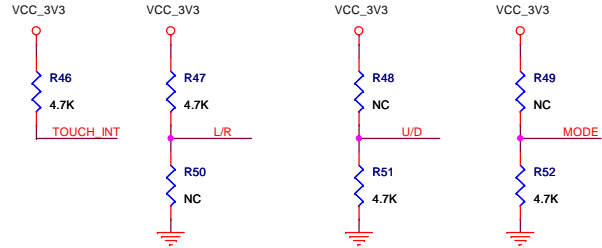
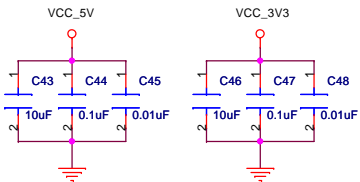
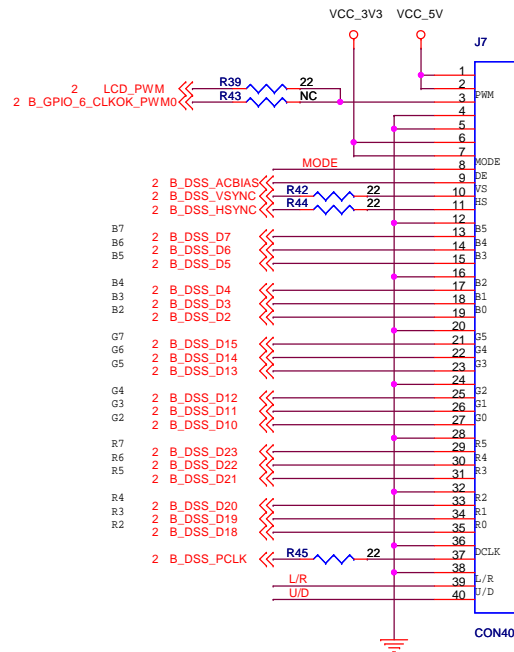
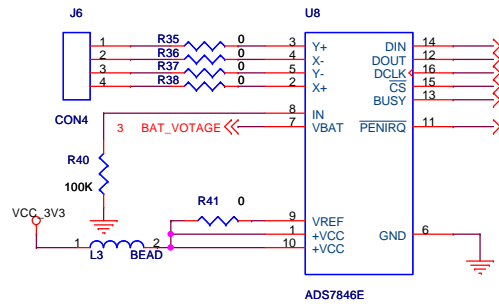


Title		
OPENMID Design by Yanjun Luo-yanjun.luo@gmail.com		
Size	Document Number	Rev
A3	CONNECTOR	1.0
Date:	Saturday, May 08, 2010	Sheet 1 of 6

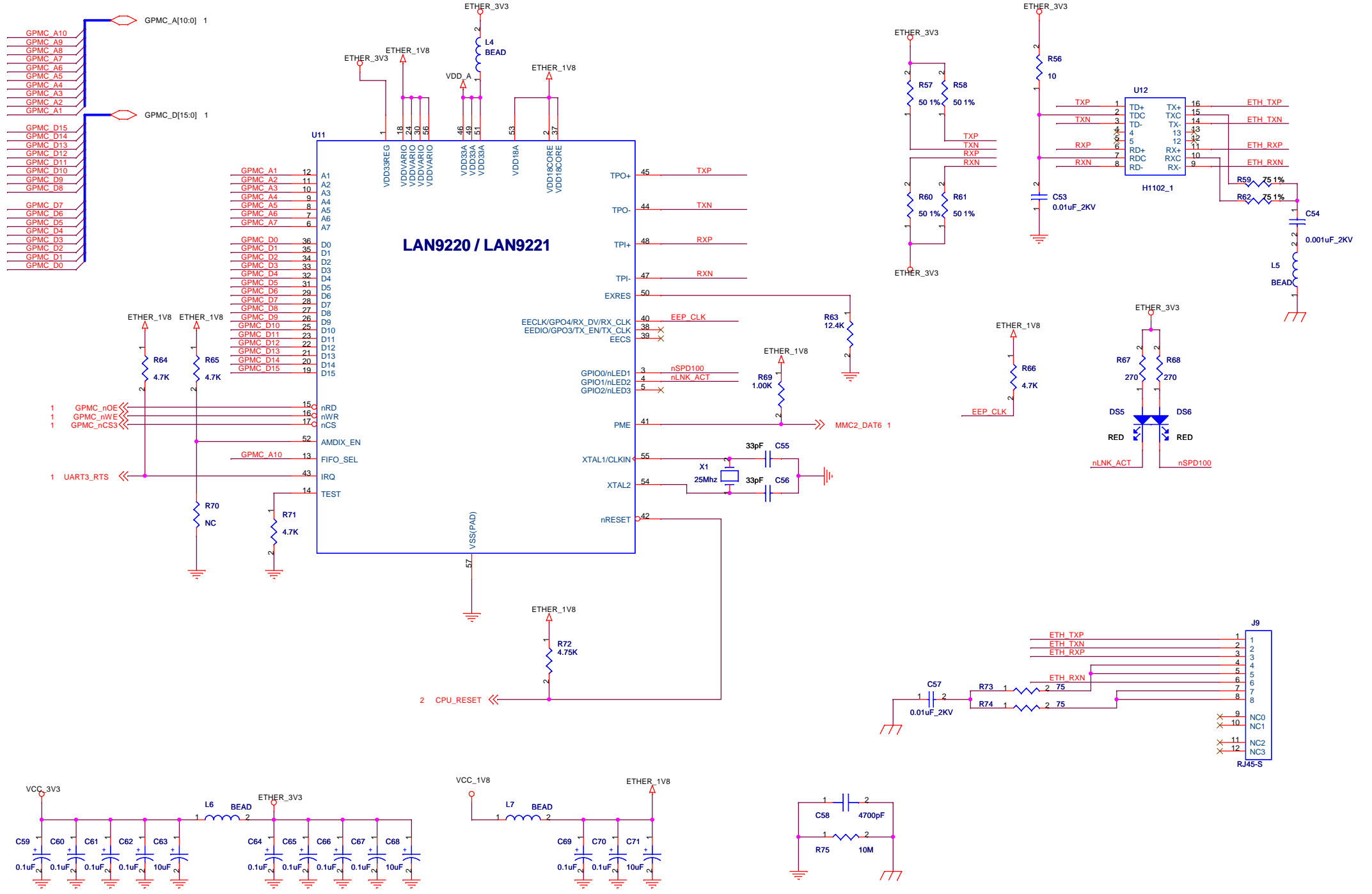




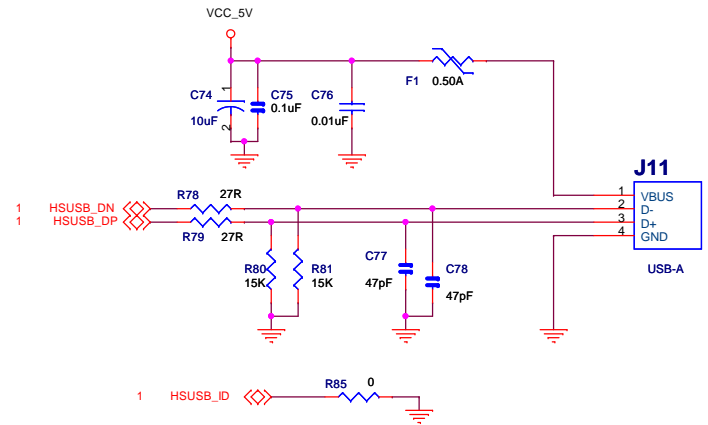
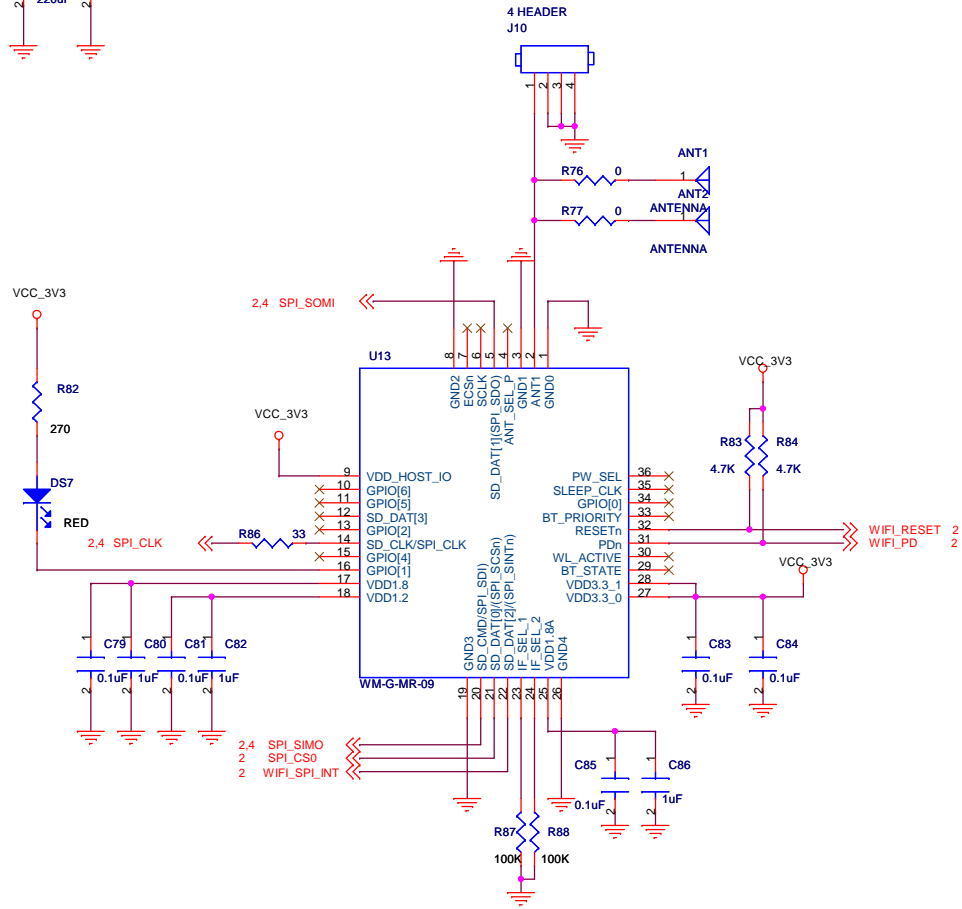
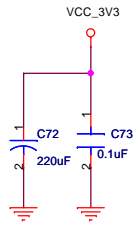
Title		
OPENOMAP-CARRIER Design by Yanjun Luo-yanjun.luo@gmail.com>		
Size	Document Number	Rev
A3	POWER	1.0
Date:	Sunday, May 23, 2010	Sheet 3 of 6



Title		
OPENOMAP-CARRIER Design by Yanjun Luo-yanjun.luo@gmail.com>		
Size	Document Number	Rev
A3	LCD	1.0
Date:	Saturday, May 08, 2010	Sheet 4 of 6



Title			
OPENOMAP-CARRIER Design by Yanjun Luo-yanjun.luo@gmail.com>			
Size	Document Number	Rev	
A3	USB ETHERNET	REVA	
Date:	Tuesday, May 04, 2010	Sheet	5 of 6



- F2
- FIX F3
- FIX F4
- FIX F5
- FIX F6
- FIX F7
- FIX

Title			OPENOMAP-CARRIER Design by Yanjun Luo<yanjun.luo@gmail.com>
Size	Document Number	Rev	
A3	WIFI	REVA	
Date:	Tuesday, May 04, 2010	Sheet	6 of 6