

LEA-5

u-blox 5 GPS Modules

Data Sheet

Abstract

Technical data sheet describing the cost effective, high-performance u-blox 5 based LEA-5 series of GPS modules.

Features include A-GPS support, low power consumption, SuperSense® Indoor GPS providing best-in-class acquisition and tracking sensitivity, precision timing and an innovative jamming-resistant RF architecture. The compact 17.0 x 22.4 mm form factor of the highly successful LEA-4 series is maintained, enabling easy migration. The LEA-5 series supports passive and active antennas.



17.0 x 22.4mm

Document Information

Title	LEA-5
Subtitle	u-blox 5 GPS Modules
Document type	Data Sheet
Document number	GPS.G5-MS5-07026-B4
Document status	

This document applies to the following products:

Name	Type number	ROM/FLASH version	PCN reference
LEA-5H	LEA-5H-0-009	FW6.02	UBX-TN-09017
	LEA-5H-0-008	FW6.00	UBX-TN-09001-A
	LEA-5H-0-007	FW5.00	UBX-TN-08027
LEA-5S	LEA-5S-0-004	ROM5.00	UBX-TN-08023
LEA-5A	LEA-5A-0-003	ROM5.00	UBX-TN-08023
LEA-5Q	LEA-5Q-0-002	ROM5.00	UBX-TN-08023
LEA-5M	LEA-5M-0-002	ROM5.00	UBX-TN-08023
LEA-5T	LEA-5T-0-003	FW6.02	UBX-TN-09017
	LEA-5T-0-002	FW6.00	UBX-TN-09001-A
	LEA-5T-0-001	FW5.00	UBX-TN-08027

This document and the use of any information contained therein, is subject to the acceptance of the u-blox terms and conditions. They can be downloaded from www.u-blox.com.

u-blox makes no warranties based on the accuracy or completeness of the contents of this document and reserves the right to make changes to specifications and product descriptions at any time without notice.

u-blox reserves all rights to this document and the information contained herein. Reproduction, use or disclosure to third parties without express permission is strictly prohibited. Copyright © 2010, u-blox AG.

u-blox® is a registered trademark of u-blox Holding AG in the EU and other countries. ARM® is the registered trademark of ARM Limited in the EU and other countries.



Contents

Contents.....	3
1 Functional description.....	5
1.1 Overview	5
1.2 Product features	5
1.3 GPS performance.....	6
1.4 Block diagram.....	7
1.5 Assisted GPS (A-GPS).....	7
1.6 SuperSense Indoor GPS	7
1.7 KickStart / Oscillators	7
1.8 GALILEO	7
1.9 Protocols and interfaces.....	8
1.9.1 UART.....	8
1.9.2 USB	8
1.9.3 Serial Peripheral Interface (SPI).....	8
1.9.4 Display Data Channel (DDC)	8
1.10 Antenna.....	9
1.11 Power management.....	9
1.11.1 Operating modes	9
1.11.2 Maximum Performance mode	9
1.11.3 Eco mode	10
1.11.4 Power Save mode.....	10
1.11.5 Power states.....	10
1.11.6 Peak current reduction	10
1.12 Configuration	11
1.12.1 Boot-time configuration (LEA-5A, LEA-5M, LEA-5Q, LEA-5S).....	11
1.12.2 Configuration (LEA-5H, LEA-5T)	11
1.13 External serial EEPROM	11
1.14 LEA-5T	12
1.14.1 Time mode	12
1.14.2 Time mark	12
1.14.3 Raw data.....	12
2 Mechanical specifications	13
2.1 Pin assignment	14

3	Electrical specifications	15
3.1	Absolute maximum ratings	15
3.2	Operating conditions	16
4	Design-in	17
5	Reliability tests and approvals	17
5.1	Reliability tests	17
5.2	Approvals	17
6	Product handling	18
6.1	Packaging	18
6.1.1	Reels	18
6.1.2	Tapes	19
6.2	Shipment, storage and handling	19
6.2.1	Moisture Sensitivity Levels	19
6.2.2	Shipment	20
6.2.3	Storage and floor life	21
6.2.4	Drying	21
6.2.5	Reflow soldering	21
6.2.6	ESD handling precautions	22
7	Default settings	23
8	Labeling and ordering information	24
8.1	Product labeling	24
8.2	Explanation of codes	24
8.3	Ordering information	25
	Related documents	25
	Revision history	25
	Contact	26

1 Functional description

1.1 Overview

The LEA-5 module series is a family of stand-alone GPS receivers featuring the high performance u-blox 5 positioning engine. These versatile receivers feature an extensive and flexible range of functionality, connectivity and cost savings options. LEA-5 modules maintain the industry standard 17.0 x 22.4mm form factor of the LEA-4 series and have been designed to allow simple migration. Their ease of integration results in reduced costs and short time to market for a wide range of automotive, consumer and industrial applications.

Available features include u-blox' KickStart weak signal acquisition technology, providing accelerated startup at weak signals. SuperSense® Indoor GPS is capable of tracking and acquiring even extremely weak signals. An optional built-in FLASH EEPROM enables firmware updates and the storage of specific configuration settings in a non-volatile RAM. For cost savings an internal Read-Only Memory (ROM) is available and a crystal can be used instead of a TCXO. The optional antenna supervisor supports external and active antennas, such as u-blox' ANN high performance GPS antenna.

The 50-channel u-blox 5 positioning engine boasts a Time-To-First-Fix (TTFF) of under 1 second. The dedicated acquisition engine, with over 1 million correlators, is capable of massive parallel time/frequency space searches, enabling it to find satellites instantly. Innovative design and technology suppresses jamming sources and mitigates multipath effects, giving LEA-5 GPS receivers excellent navigation performance even in the most challenging environments.

LEA-5 modules are not designed for life saving or supporting devices or for aviation and should not be used in products that could in any way negatively impact the security or health of the user or third parties or that could cause damage to goods.

1.2 Product features

Series	Power	Size	Memory	Function					Antenna		Input / Output					
				Power save mode	KickStart	Dead Reckoning	Raw data	Precision Timing	Antenna supply	Antenna supervisor	UART	USB	SPI	DDC (I ² C compliant)	Reset input	Configuration pin
LEA-5H	2.7 - 3.6	3	S	•	•				•	•	1	1		1	•	
LEA-5S	2.7 - 3.6	3			•				•	•	1	1		1	•	1
LEA-5A	2.7 - 3.6	3							•	•	1	1		1	•	1
LEA-5Q	2.7 - 3.6	2.4			•						1	1		1	•	3
LEA-5M	2.7 - 3.6	2.4									1	1		1	•	2
LEA-5T	2.7 - 3.6	3			•		R	•	•	•	1	1		1	•	

S= Supported by LEA-5H-0-008 and above

R= Supported by LEA-5T-0-002 and above

Table 1: Features of the LEA-5 Series

1.3 GPS performance

Parameter	Specification		
Receiver type	50 Channels GPS L1 frequency, C/A Code GALILEO Open Service L1 frequency		
Time-To-First-Fix ¹		LEA-5H/ LEA-5S/ LEA-5T/ LEA-5Q	LEA-5A/ LEA-5M
	Cold Start (Autonomous)	29 s	32s
	Warm Start (Autonomous)	29 s	32s
	Hot Start (Autonomous)	<1 s	<1s
	Aided Starts ²	<1 s	<3s
Sensitivity ³		LEA-5H/ LEA-5S/ LEA-5T/ LEA-5Q	LEA-5A/ LEA-5M
	Tracking & Navigation	-160 dBm	-160 dBm
	Reacquisition	-160 dBm	-160 dBm
	Cold Start (Autonomous)	-144 dBm	-143 dBm
Horizontal position accuracy ⁴	Autonomous	< 2.5 m	
	SBAS	< 2.0 m	
Accuracy of Timepulse signal	RMS	30 ns	
	99%	<60 ns	
	Compensated ⁵ (LEA-5T)	15 ns ³	
	Time Pulse	Configurable f = 0.25 ... 999 Hz (Tp = 1/f - 1ms)	
Max navigation update rate		<4Hz (ROM) / 2Hz FLASH	
Velocity accuracy ⁶		0.1m/s	
Heading accuracy ⁷		0.5 degrees	
Dynamics		≤ 4 g	
Operational limits ⁸	Altitude	50000 m	
	Velocity	500 m/s	

Table 2: LEA-5 GPS performance

¹ All satellites at -130 dBm

² Dependent on aiding data connection speed and latency

³ Demonstrated with a good active antenna

⁴ CEP, 50%, 24 hours static, -130dBm, SEP: <3.5m

⁵ Quantization error information can be used to compensate the granularity related error of the time pulse signal.

⁶ 50% @ 30 m/s

⁷ 50% @ 30 m/s

⁸ Assuming Airborne <4g platform

1.4 Block diagram

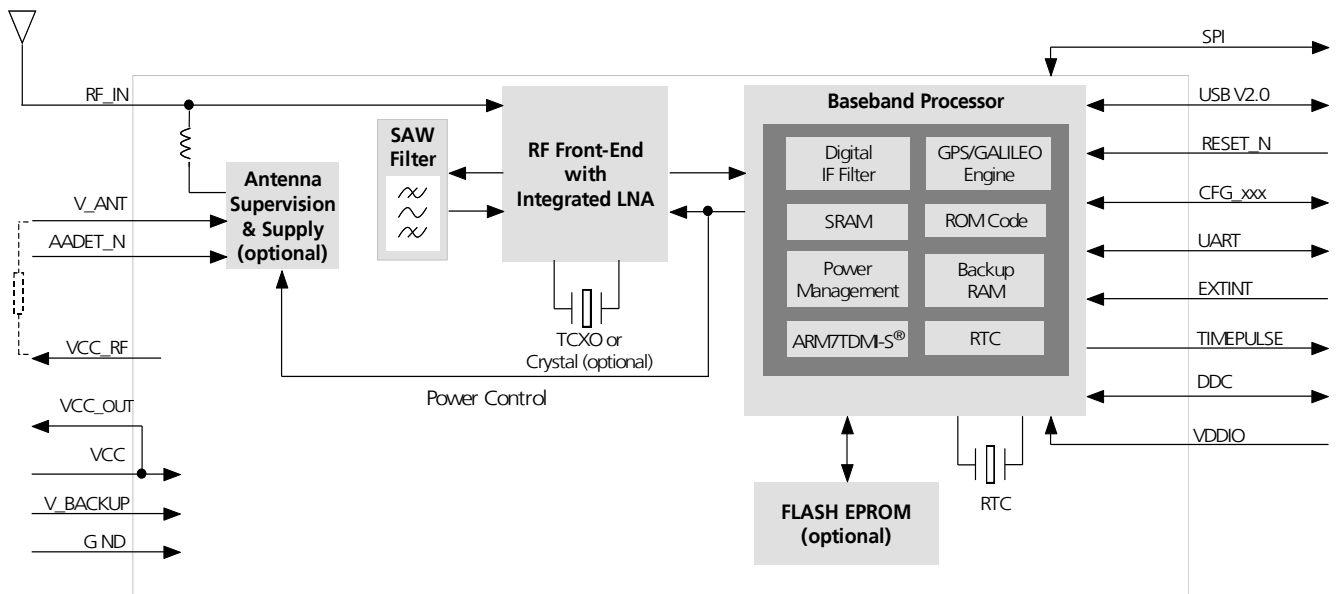


Figure 1: Block diagram (For available options refer to the product features table in section Error! Reference source not found..)

1.5 Assisted GPS (A-GPS)

Supply of aiding information like ephemeris, almanac, rough last position and time and satellite status and an optional time synchronization signal will reduce time to first fix significantly and improve the acquisition sensitivity. All LEA-5 modules support the u-blox AssistNow Online and AssistNow Offline A-GPS services and are OMA SUPL compliant.

1.6 SuperSense Indoor GPS

All LEA-5 modules come with SuperSense, providing ultra-fast acquisition/reacquisition and exceptional tracking sensitivity. SuperSense enables best-in-class tracking and navigation in difficult signal environments such as urban canyons or indoor locations.

1.7 KickStart / Oscillators

An available feature is KickStart. This functionality uses a TCXO to accelerate weak signal acquisition, enabling faster start and reacquisition times. KickStart is available with the LEA-5H, LEA-5S, LEA-5Q and LEA-5T.

1.8 GALILEO

The u-blox 5 is a GNSS chip that receives and tracks GPS and GALILEO signals simultaneously, enhancing accuracy and coverage. When GALILEO-L1 signals become available, LEA-5H receivers will be capable of receiving and processing them via a firmware upgrade. The ability to receive and track GALILEO satellite signals will result in higher coverage, improved reliability and better accuracy.

1.9 Protocols and interfaces

Protocol	Type
NMEA	Input/output, ASCII, 0183, 2.3 (compatible to 3.0)
UBX	Input/output, binary, u-blox proprietary

Table 3: Available protocols

Both protocols are available on UART, USB, DDC and SPI. For specification of the various protocols see the u-blox 5 Receiver Description including Protocol Specification [2].

LEA-5 modules support a number of peripheral interfaces for serial communication. The embedded firmware uses these interfaces according to their respective protocol specifications. For specific applications, the firmware also supports the connection of peripheral devices, such as external memories or sensors, to some of the interfaces.

1.9.1 UART

LEA-5 modules include one configurable UART interface for serial communication (for information about configuration see section 1.12).

1.9.2 USB

LEA-5 modules provide a USB version 2.0 FS (Full Speed, 12Mbit/s) interface as an alternative to the UART. The pull-up resistor on USB_DP is integrated to signal a full-speed device to the host. The VDD_USB pin supplies the USB interface, independently from the VDD_IO pin.

u-blox provides a Microsoft® certified USB driver for Windows XP and Windows Vista operating systems. Windows 7 will also be supported following certification.

Operating System	Support level
Windows XP	Certified
Windows Vista	Certified
Windows 7	Certification pending

Table 4: Operating systems supported by USB driver

1.9.3 Serial Peripheral Interface (SPI)

An SPI interface is planned for future versions of LEA-5 modules.

The SPI interface allows for the connection of external devices with a serial interface, e.g. EEPROM or A/D converters, or to interface to a host CPU. The interface can be operated in master or slave mode. In master mode, two chip select signals are available to select external slaves. In slave mode a single chip select signal enables communication with the host.

1.9.4 Display Data Channel (DDC)

The I²C compatible DDC interface can be used either to access external devices with a serial interface (e.g. EEPROM or A/D converters) or to interface with a host CPU. It is capable of master and slave operation and communicates at a rate of <100kbit/s.

1.10 Antenna

LEA-5 modules are designed for use with passive and active antennas.

An optional antenna supervisor is available with the LEA-5H, LEA-5S, LEA-5A and LEA-5T. In the default operation mode the antenna supervisor is activated and enables the receiver to detect short circuits to the active antenna by checking the bias voltage level and can shut down the voltage bias immediately. A series resistor is needed in front of the **V_ANT** input. UBX and NMEA messages are provided to report the condition of the antenna supply. Open circuit detection can also be supported with an additional external circuit. For details, please refer to the LEA-5, NEO-5, TIM-5H Hardware Integration Manual [1].

The LEA-5Q and LEA-5M do not support the antenna supply and antenna supervisor functionalities.

Parameter	Specification	
Antenna Type	Passive and active antenna	
Active Antenna Recommendations	Minimum gain	15 - 20 dB (to compensate signal loss in RF cable)
	Maximum noise figure	1.5 dB
	Maximum gain	50 dB

Table 5: Antenna Specifications for all LEA-5 modules

Parameter	Specification	
Antenna Supply	Using VCC_RF or external voltage source	
Antenna Supervisor	Short circuit detection	Built-in
	Open circuit detection	Enabled with external circuit

Table 6: Antenna supervisor specifications for LEA-5H, LEA-5S, LEA-5A and LEA-5T

1.11 Power management



For more information about power management strategies, see the u-blox 5 Receiver Description including Protocol Specification [2].

1.11.1 Operating modes

LEA-5 modules have 2 continuous operating modes (Maximum Performance and Eco) and 1 intermittent operating mode (Power Save mode). Maximum Performance mode freely uses the acquisition engine, resulting in the best possible TTFF, while Eco mode optimizes the use of the acquisition engine to deliver lower current consumption. At medium to strong signals, there is almost no difference for acquisition and tracking performance in these modes.

1.11.2 Maximum Performance mode

In Maximum Performance mode, u-blox 5 receivers use the acquisition engine at full performance to search for all possible satellites until the Almanac is completely downloaded.

As a consequence, tracking current consumption level will be achieved when:

- A valid GPS position is fixed
- Almanac is entirely downloaded
- Ephemeris for all satellites in view are valid

1.11.3 Eco mode

In Eco mode, u-blox 5 receivers use the acquisition engine to search for new satellites **only when needed** for navigation:

- In cold starts, u-blox 5 searches for enough satellites to navigate and optimizes use of the acquisition engine to download their ephemeris.
- In non-cold starts, u-blox 5 focuses on searching for visible satellites whose orbits are known from the Almanac.

In Eco mode, the u-blox 5 acquisition engine limits use of its searching resources to minimize power consumption. As a consequence the time to find some satellites at weakest signal level might be slightly increased in comparison to the Max. performance mode.

u-blox 5 deactivates the acquisition engine as soon as a position is fixed and a sufficient number (at least 4) of satellites are being tracked. The tracking engine continues to search and track new satellites without orbit information.

1.11.4 Power Save mode

LEA-5 modules include power saving options that allow reducing the average tracking current consumption by periodically switching off parts of or the complete GPS receiver and waking it up at configurable intervals from one second to one week. This can be done by using a hardware interrupt or by sending a serial command. The firmware also offers the option to reduce the peak and acquisition current independently of the power down option.

1.11.5 Power states

LEA-5 modules allow for a number of operation modes to be implemented that adapt system power consumption to application performance needs. The following power states can be selected by the chip's embedded firmware:

- Suspend state: The entire RF section is shut down, including the TCXO. The baseband core does not receive any clock signal. Power supply to the baseband core remains enabled. Memory and register contents as well as external pin states remain stable. The USB Suspend/Resume signal controls entering and exiting Suspend state. Only a USB "Resume" command can wake the system up.
- Backup state: System is turned off, but backup power supply (V_BCKP) keeps RTC running and keeps data in backup RAM valid. RTC may wake the system up at a certain time or given certain conditions, if the RTC has control over the supply voltage. Backup state will also be entered if the main battery supply voltage fails. In this case, the RTC has no control over the supply voltage and the system can only wait until the main battery power supply is re-established. Entering and leaving backup state always comes with a full system reset.

1.11.6 Peak current reduction

The peak current during acquisition can be reduced using a software message. This will result in longer receiver start-up times. This setting is independent of the activated operating mode.

1.12 Configuration

1.12.1 Boot-time configuration (LEA-5A, LEA-5M, LEA-5Q, LEA-5S)

ROM-based modules provide up to 3 pins (**CFG_COM0**, **CFG_COM1**, **CFG_GPS0**) for boot-time configuration. These become effective immediately after start-up. Once the module has started, the configuration settings can be modified with UBX configuration messages. The modified settings remain effective until power-down or reset. If these settings have been stored in battery-backup RAM, then the modified configuration will be retained, as long as the backup battery supply is not interrupted.

LEA-5A and LEA-5S include only **CFG_COM1** and can be configured as seen in Table 7.

CFG_COM1	Protocol	Messages	UARTBaud rate
1	NMEA	GSV, RMC, GSA, GGA, GLL, VTG, TXT	9600
0	NMEA	GSV ⁹ , RMC, GSA, GGA, VTG, TXT	4800

Table 7: Supported CFG_COM1 settings (LEA-5A, LEA-5S). Default settings in bold.

LEA-5Q and LEA-5M include both **CFG_COM0** and **CFG_COM1** pins and can be configured as seen in Table 8

CFG_COM1	CFG_COM0	Protocol	Messages	UARTBaud rate	USB power
1	1	NMEA	GSV, RMC, GSA, GGA, GLL, VTG, TXT	9600	BUS Powered
1	0	NMEA	GSV, RMC, GSA, GGA, GLL, VTG, TXT	38400	Self Powered
0	1	NMEA	GSV ⁹ RMC, GSA, GGA, VTG, TXT	4800	BUS Powered
0	0	UBX	NAV-SOL, NAV-STATUS, NAV-SVINFO, NAV-CLOCK, INF, MON-EXCEPT	57600	BUS Powered

Table 8: Supported COM settings (LEA-5Q, LEA-5M). Default settings in bold.

LEA-5Q includes a **CFG_GPS0** pin, which enables the boot-time configuration of the power mode. These settings are described in Table 9.

CFG_GPS0	Power Mode
0	Eco Mode
1	Maximum Performance Mode

Table 9: Supported CFG_GPS0 settings (LEA-5Q). Default settings in bold.



Static activation of the **CFG_COM** pins is not compatible with use of the SPI interface.

1.12.2 Configuration (LEA-5H, LEA-5T)

With the LEA-5H and LEA-5T, configuration settings modified with UBX configuration messages can be saved to the FLASH memory. In this case the modified settings remain effective even after power-down and don't require backup battery supply. For more information, see the u-blox 5 Receiver Description including Protocol Specification [2].

1.13 External serial EEPROM

LEA-5 modules allow an optional external serial EEPROM to be connected to the DDC interface.



This feature is only supported by modules with ROM 5.0 and above.

⁹ Every 5th fix.

1.14 LEA-5T

1.14.1 Time mode

LEA-5T provides a special Time Mode to provide higher timing accuracy. The LEA-5T is designed for use with stationary antenna setups. The Time Mode features three different settings described in Table 10: Disabled, Survey-In and Fixed Mode.

Time Mode Settings	Description
Disabled	Standard PVT operation
Survey-In	The GPS receiver computes the average position over an extended time period until a predefined maximum standard deviation has been reached. Afterwards the receiver will be automatically set to Fixed Mode and the timing features will be activated.
Fixed Mode	In this mode, a fixed 3D position and known standard deviation is assumed and the timing features are activated. Fixed Mode can either be activated directly by feeding pre-defined position coordinates (ECEF - Earth Center Earth Fixed format) or by performing a Survey-In. In Fixed mode, the timing errors in the TIMEPULSE signal which otherwise result from positioning errors are eliminated. Single-satellite operation is supported. For details, please refer to the u-blox 5 Receiver Description including Protocol Specification [2].

Table 10: Time mode settings

1.14.2 Time mark

LEA-5T can be used for precise time measurements with sub-microsecond resolution using the external interrupt (EXTINT0). Rising and falling edges of these signals are time-stamped to the GPS or UTC time and counted. The Time Mark functionality can be enabled with the UBX-CFG-TM2 message

For details, please refer to the u-blox 5 Receiver Description including Protocol Specification [2].

1.14.3 Raw data

The LEA-5T supports raw data output at an update rate of 2 Hz. The UBX-RXM-RAW message includes carrier phase with half-cycle ambiguity resolved, code phase and Doppler measurements, which can be used in external applications that offer precision positioning, real-time kinematics (RTK) and attitude sensing.

2 Mechanical specifications

Parameter	Specification	
A	22.4 +0.6/-0.1mm	[882 +24/-4mil]
B	17.0 ±0.1mm	[669 ±4mil]
C	3.0 ¹⁰ /2.4 ¹¹ ±0.3mm	[118 ¹⁰ /97 ¹¹ ±12mil]
D	2.55 +0.3/-0.1mm	[100 +18/-4mil]
E	1.1 ±0.1mm	[43 ±4mil]
F	3.80 ±0.1mm	[150 ±4mil]
G	1.1 ±0.1mm	[43 ±4mil]
H	2.85 +0.3/-0.1mm	[112 +18/-4mil]
Weight	2.1 g	

Table 11: Dimensions

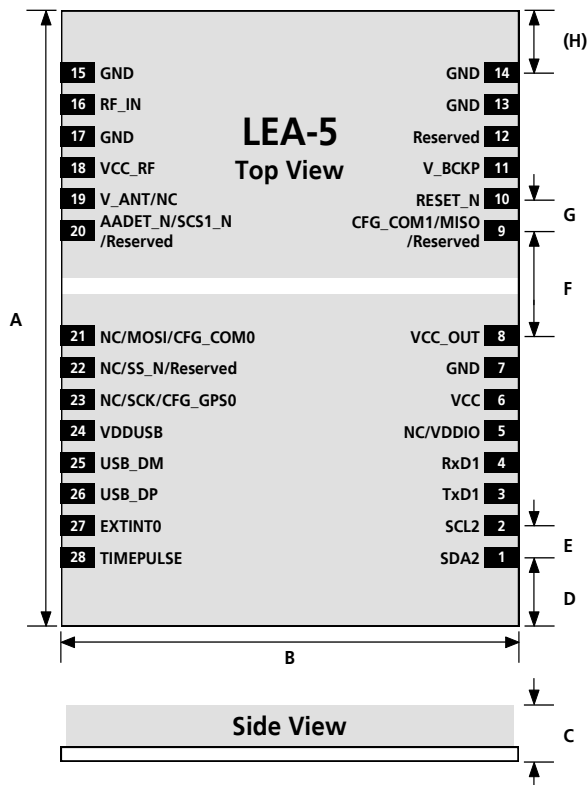


Figure 2: Dimensions



For information regarding the Paste Mask and Footprint see the LEA-5, NEO-5, TIM-5H Hardware Integration Manual [1].

¹⁰ LEA-5H, LEA-5S, LEA-5A, LEA-5T

¹¹ LEA-5Q, LEA-5M

¹² Use this figure to dimension maximum current capability of power supply.

2.1 Pin assignment

No	Module	Name	I/O	Description
1	All	SDA2	I/O	DDC Data
2	All	SCL2	I/O	DDC Clock
3	All	TxD1	O	Serial Port 1
4	All	RxD1	I	Serial Port 1
5	LEA-5H, LEA-5S, LEA-5A, LEA-5T	NC		Not Connected
	LEA-5Q, LEA-5M	VDDIO	I	Supply voltage
6	All	VCC	I	Supply voltage
7	All	GND	I	Ground (digital)
8	All	VCC_OUT	O	Output voltage
9	LEA-5A, LEA-5S, LEA-5M	CFG_COM1	I	Configuration Pin
	LEA-5Q	MISO	I	SPI MISO (Planned)
	LEA-5H, LEA-5T	CFG_COM1	I	Configuration Pin
10	All	RESET_N	I	
11	All	V_BCKP	I	Backup voltage supply
12	All	Reserved	I	
13	All	GND	I	Ground
14	All	GND	I	Ground
15	All	GND	I	Ground
16	All	RF_IN	I	GPS signal input
17	All	GND	I	Ground
18	All	VCC_RF	O	Output Voltage RF section
19	LEA-5H, LEA-5S, LEA-5A, LEA-5T	V_ANT	I	Antenna Bias voltage
	LEA-5Q, LEA-5M	NC		Not Connected
20	LEA-5H, LEA-5S, LEA-5A, LEA-5T	AADET_N	I	Active Antenna Detect
	LEA-5Q	SCS1_N	O	SPI Chip Select (Planned)
	LEA-5M	Reserved		Do not connect. Do not pull low.
21	LEA-5H, LEA-5S, LEA-5A, LEA-5T	NC		Not Connected
	LEA-5Q	MOSI	I/O	SPI MOSI (Planned)
	LEA-5M	CFG_COM0	I	Configuration Pin
22	LEA-5H, LEA-5S, LEA-5A, LEA-5T	NC		Not Connected
	LEA-5Q	SS_N	I	SPI Slave Select (Planned)
	LEA-5M	Reserved	I	
23	LEA-5H, LEA-5T, LEA-5A, LEA-5S	NC		Not Connected
	LEA-5Q	SCK		SPI Clock (Planned)
	LEA-5M	CFG_GPS0		Power Mode Configuration Pin
24	LEA-5H, LEA-5T, LEA-5A, LEA-5S	Reserved		Do not connect. Do not pull low.
	LEA-5Q	Reserved		Do not connect. Do not pull low.
24	All	VDDUSB	I	USB Supply
25	All	USB_DM	I/O	USB Data
26	All	USB_DP	I/O	USB Data
27	All	EXTINT0	I	External Interrupt Pin
28	All	TIMEPULSE	O	Time pulse (1PPS)

Table 12: Pinout



Pins designated Reserved should only be used with caution. For more information about Pinouts see the LEA-5, NEO-5, TIM-5H Hardware Integration Manual [1].

3 Electrical specifications

3.1 Absolute maximum ratings

Parameter	Symbol	Condition	Min	Max	Units
Power supply voltage (VCC)	Vcc		-0.5	3.6	V
Backup battery voltage (V_BCKP)	Vbckp		-0.5	3.6	V
USB supply voltage (VDDUSB)	Vddusb			3.8	V
Input pin voltage	Vin		-0.5	3.6	V
	Vin_usb		-0.5	Vddusb +0.5	V
VCC_RF output current	Iccrf			100	mA
Input power at RF_IN	Prfin	source impedance = 50 Ω , continuous wave		-5	dBm
Antenna bias voltage	Vant			6	V
Antenna bias current	Iant			100	mA
Storage temperature	Tstg		-40	85	$^{\circ}\text{C}$
Maximum ESD Stress Level Applied; according to human body model (100pF; 1.5k Ω).	$V_{\text{ESD(HBM)}}$	RF pins		1500	V
		All other pins		2000	
Maximum ESD Stress Level Applied; according to machine model; (200pF; 0.75mH).	$V_{\text{ESD(MM)}}$	RF pins		150	V
		All other pins		200	

Table 13: Absolute maximum ratings



GPS receivers are Electrostatic Sensitive Devices (ESD) and require special precautions when handling. For more information see the *LEA-5, NEO-5, TIM-5H Hardware Integration Manual* [1].



Stressing the device beyond the “Absolute Maximum Ratings” may cause permanent damage. These are stress ratings only. The product is not protected against overvoltage or reversed voltages. If necessary, voltage spikes exceeding the power supply voltage specification, given in table above, must be limited to values within the specified boundaries by using appropriate protection diodes.

3.2 Operating conditions



All specifications are at an ambient temperature of 25°C.

Parameter	Symbol	Module	Min	Typ	Max	Units	Condition
Power supply voltage (VCC)	Vcc	All	2.7	3.0	3.6	V	
I/O supply voltage (VDDIO)	Vddio		1.65	3.3	3.6	V	
Peak supply current ¹²	Iccp	All			150	mA	Vcc = 3.6V
	Icc Acquisition (Max Performance Mode)	LEA-5H, LEA-5T		61 ¹⁴		mA	Vcc = 3.0V
		LEA-5A, LEA-5M, LEA-5S, LEA-5Q		74 ¹⁵		mA	Vcc = 3.0V
	Icc Tracking (Max Performance Mode)	LEA-5H, LEA5T		47 ¹⁶		mA	Vcc = 3.0V
		LEA-5A, LEA-5M, LEA-5S, LEA-5Q		45 ¹⁷		mA	Vcc = 3.0V
Sustained supply current ¹³	Icc Acquisition (Eco Mode)	LEA-5H, LEA-5T		56 ¹⁴		mA	Vcc = 3.0V
		LEA-5A, LEA-5M, LEA-5S, LEA-5Q		61 ¹⁵		mA	Vcc = 3.0V
	Icc Tracking (Eco Mode)	LEA-5H, LEA-5T		45 ¹⁶		mA	Vcc = 3.0V
		LEA-5A, LEA-5M, LEA-5S, LEA-5Q		43 ¹⁷		mA	Vcc = 3.0V
	Icc Acquisition (Power Save Mode)	LEA-5H		46 ¹⁴		mA	Vcc = 3.0V
	Icc Tracking (Power Save Mode)	LEA-5H		23 ¹⁶		mA	Vcc = 3.0V
Backup battery voltage	Vbckp		1.4		3.6	V	
Backup battery current	Ibckp			25		µA	Vbckp = 1.8V
Input pin voltage range	Vin				Vcc +0.5	V	
Input pin low voltage	Vin_low_1				0.2x Vcc	V	
Input pin high voltage	Vin_high_1		0.7x Vcc			V	
Input pin low voltage for EXTINT0 and RxD1	Vin_low_2				0.22	V	
Input pin high voltage for EXTINT0 and RxD1	Vin_high_2		0.91			V	
Output pin low voltage	Vout_low				0.4	V	Iout = 4 mA
Output pin high voltage	Vout_high	LEA-5A, LEA-5S, LEA-5H, LEA-5T	Vcc - 0.4			V	Iout = -4 mA
		LEA-5M, LEA-5Q	Vddio - 0.4			V	Iout = -4 mA
VDDUSB (Pin 24) for USB operation	Vddusb1	All	3.0 ¹⁸		3.6	V	
USB_DM, USB_DP	VinU	All	Compatible with USB with 27 Ohms series resistance				
Antenna gain	Gant	All			50	dB	
Receiver Chain Noise Figure	NFtot			3.2		dB	
V_ANT antenna bias voltage	Vant	All	2.7		5.5	V	I _{ANT} < -50 mA
Antenna bias voltage drop	Vant_drop	All		0.1		V	Iccrf=50mA

¹² Use this figure to dimension maximum current capability of power supply.

¹³ Use this figure to determine required battery capacity.

¹⁴ FW 6.00, >8 SVs in view, CNo >40 dBHz, current average of 30 sec after cold start.

¹⁵ ROM 5.00, >8 SVs in view, CNo >40 dBHz, current average of 30 sec after cold start.

¹⁶ FW 6.00, with strong signals, all orbits available. For Cold Starts typical 12 min after First Fix. For Hot Starts typical 15 sec after First Fix.

¹⁷ ROM 5.00, with strong signals, all orbits available. For Cold Starts typical 12 min after First Fix. For Hot Starts typical 15 sec after First Fix.

¹⁸ If USB not used connect to GND

Parameter	Symbol	Module	Min	Typ	Max	Units	Condition
VCC_RF voltage	Vccrf	All		Vcc-0.1		V	
VCC_RF output current	Iccrf	All			50	mA	
Operating temperature	Topr	All	-40		85	°C	

Table 14: Operating conditions



Operation beyond the specified operating conditions can affect device reliability.

4 Design-in

In order to obtain the necessary information to conduct a proper design-in, u-blox strongly recommends consulting the LEA-5, NEO-5, TIM-5H Hardware Integration Manual [1].

5 Reliability tests and approvals

5.1 Reliability tests

Tests for product family qualifications according to ISO 16750 "Road vehicles - Environmental conditions and testing for electrical and electronic equipment".

5.2 Approvals



Products marked with this lead-free symbol on the product label comply with the "Directive 2002/95/EC of the European Parliament and the Council on the Restriction of Use of certain Hazardous Substances in Electrical and Electronic Equipment" (RoHS).

All u-blox 5 GPS modules are RoHS compliant.

6 Product handling

6.1 Packaging

LEA-5 modules are delivered as hermetically sealed, reeled tapes in order to enable efficient production, production lot set-up and tear-down.



Figure 3: Reeled u-blox 5 modules

6.1.1 Reels

LEA-5 GPS modules are deliverable in quantities of 250pcs on a reel. The dimensions of the reel are shown in Figure 4.

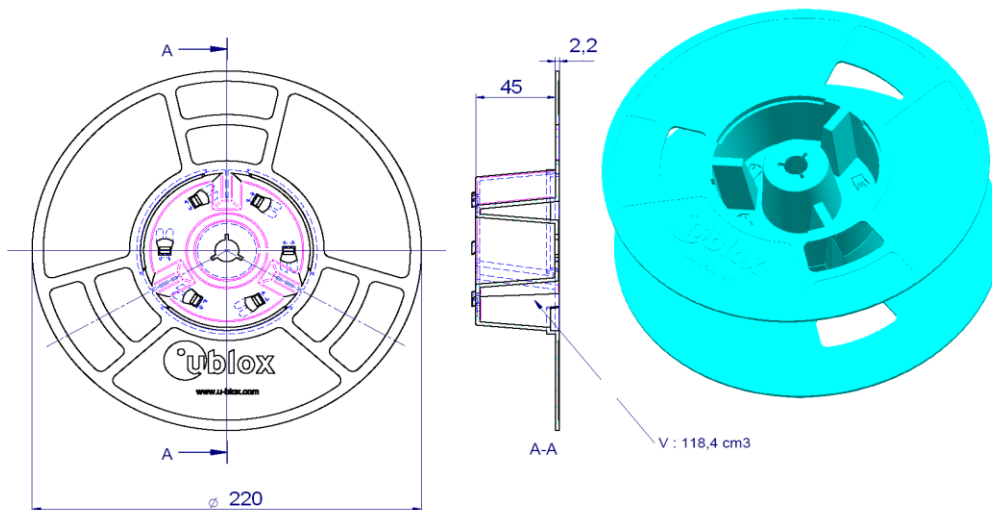


Figure 4: Dimension of reel for 250 pieces (dimensions unless otherwise specified in mm)

6.1.2 Tapes

The dimensions and orientations of the tapes for LEA-5 modules are specified in Figure 5.

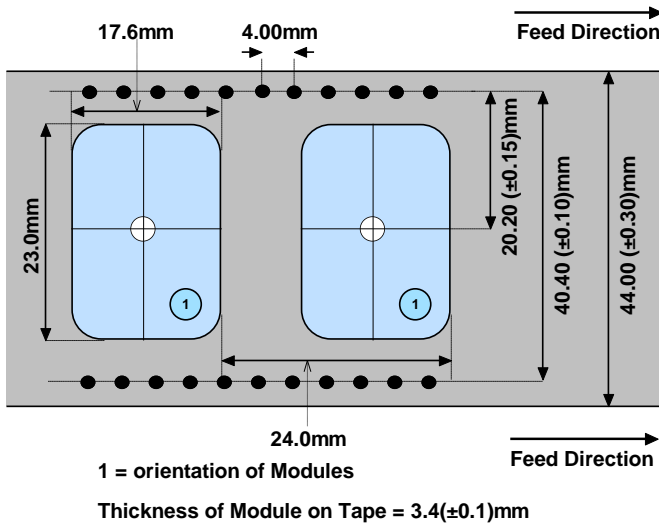


Figure 5: Dimensions and orientation for LEA-5 modules on tape

6.2 Shipment, storage and handling

LEA 5 modules are designed and packaged to be processed in an automatic assembly line, and are shipped in Tape-and-Reel.



LEA 5 modules are Moisture Sensitive Devices (MSD) in accordance to the IPC/JEDEC specification. Appropriate MSD handling instructions and precautions are summarized in Sections 6.2.1 to 6.2.3. Read them carefully to prevent permanent damage due to moisture intake.



GPS receivers contain highly sensitive electronic circuitry and are Electrostatic Sensitive Devices (ESD). Handling LEA 5 modules without proper ESD protection may destroy or damage them permanently. See Section 6.2.6 for ESD handling instructions.

6.2.1 Moisture Sensitivity Levels

The Moisture Sensitivity Level (MSL) relates to the packaging and handling precautions required. LEA 5 modules are rated at MSL level 4.



For MSL standard see IPC/JEDEC J-STD-020, which can be downloaded from www.jedec.org.

6.2.2 Shipment

Table 15 summarizes the dry pack requirements for different MSL levels in the IPC/JEDEC specification.

MSL Level	Dry Pack Requirement
1	Optional
2	Required
2a	Required
3	Required
4	Required

Table 15: JEDEC specification of dry pack requirements

According to IPC/JEDEC specification J-STD-020, if a device passes MSL level 1, it is classified as not moisture sensitive and does not require dry pack. If a device fails level 1 but passes a higher numerical level, it is classified as moisture sensitive and must be dry packed in accordance with J-STD-033.

LEA 5 modules are delivered on Tape-and-Reels in a hermetically sealed package ("dry bag") to prevent moisture intake and protect against electrostatic discharge. For protection from physical damage, the reels are individually packed in cartons.

Carrier materials such as trays, tubes, reels, etc., that are placed in the Moisture Barrier Bag (MBB) can affect the moisture level within the MBB. Therefore, the effect of these materials is compensated by adding additional desiccant in the MBB to ensure the shelf life of the SMD packages.

The dry bag provides an IPC/JEDEC compliant MSD label describing the handling requirements to prevent humidity intake. IPC/JEDEC specifications require that MSD sensitive devices be packaged together with a Humidity Indicator Card (HIC) and desiccant to absorb humidity. If no moisture has been absorbed, the three fields in the HIC indicate blue color. Figure 6 shows examples of an MSD label and HIC.

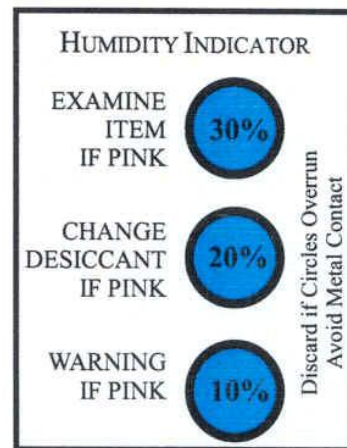
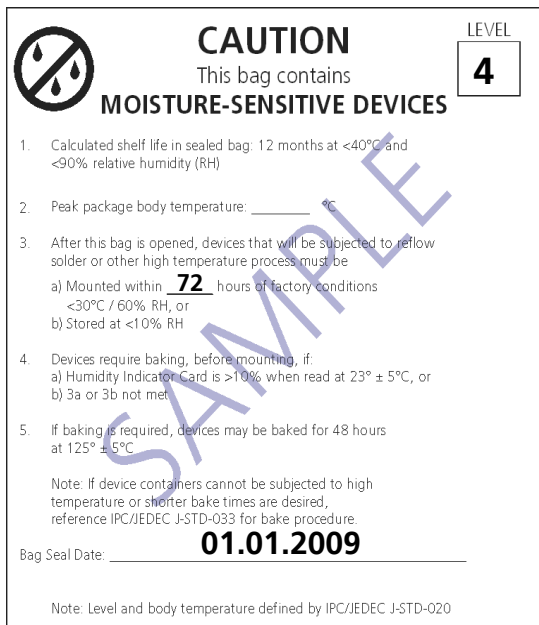


Figure 6: Examples of MSD label and Humidity Indicator Card

6.2.3 Storage and floor life

The calculated shelf life for dry packed SMD packages is a minimum of 12 months from the bag seal date, when stored in a noncondensing atmospheric environment of <math><40^{\circ}\text{C}/90\% \text{ RH}</math>.

Table 16 lists floor life for different MSL levels in the IPC/JDEC specification.

MSL level	Floor life (out of bag) at factory ambient $\leq 30^{\circ}\text{C}/60\% \text{ RH}$ or as stated
1	Unlimited at $\leq 30^{\circ}\text{C}/85\% \text{ RH}$
2	1 year
2a	4 weeks
3	168 hours
4	72 hours

Table 16: JEDEC specification of floor life

The parts must be processed and soldered within the time specified for the MSL level. If this time is exceeded, or the humidity indicator card in the sealed package indicates that they have been exposed to moisture, the devices need to be pre-baked before the reflow solder process.

6.2.4 Drying

Both encapsulant and substrate materials absorb moisture. IPC/JEDEC specification J-STD-020 must be observed to prevent cracking and delamination associated with the "popcorn" effect during reflow soldering. The popcorn effect can be described as miniature explosions of evaporating moisture. Baking before processing is required in the following cases:

- Humidity indicator card: At least one circular indicator is no longer blue
- Floor life or environmental requirements after opening the seal have been exceeded, e.g. exposure to excessive seasonal humidity.

Refer to Section 4 of IPC/JEDEC J-STD-033 for recommended baking procedures. Table 4-1 of the specification lists the required bake times and conditions for drying. For example, a module that has exceeded its floor life by >72 hours shall be baked at 125°C for 48 hours. (Floor life begins counting at time = 0 after bake).



Do not attempt to bake LEA 5 modules while contained in tape and rolled up in reels. For baking, place parts individually onto oven tray.



Oxidation Risk: Baking SMD packages may cause oxidation and/or intermetallic growth of the terminations, which if excessive can result in solderability problems during board assembly. The temperature and time for baking SMD packages are therefore limited by solderability considerations. The cumulative bake time at a temperature greater than 90°C and up to 125°C shall not exceed 96 hours. If the bake temperature is not greater than 90°C , there is no limit on bake time. Bake temperatures higher than 125°C are not allowed.

6.2.5 Reflow soldering

Reflow profiles are to be selected according to IPC/JEDEC J-STD-020. See the LEA-5, NEO-5, TIM-5H Hardware Integration Manual [1].

6.2.6 ESD handling precautions

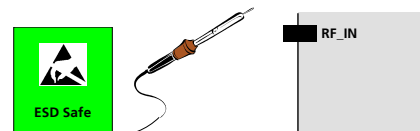
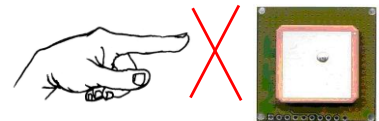
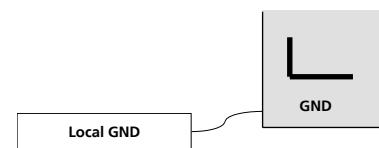


LEA-5 modules are Electrostatic Sensitive Devices (ESD). Observe precautions for handling! Failure to observe these precautions can result in severe damage to the GPS receiver!



GPS receivers are Electrostatic Sensitive Devices (ESD) and require special precautions when handling. Particular care must be exercised when handling patch antennas, due to the risk of electrostatic charges. In addition to standard ESD safety practices, the following measures should be taken into account whenever handling the receiver:

- Unless there is a galvanic coupling between the local GND (i.e. the work table) and the PCB GND, then the first point of contact when handling the PCB shall always be between the local GND and PCB GND.
- Before mounting an antenna patch, connect ground of the device
- When handling the RF pin, do not come into contact with any charged capacitors and be careful when contacting materials that can develop charges (e.g. patch antenna ~10pF, coax cable ~50-80pF/m, soldering iron, ...)
- To prevent electrostatic discharge through the RF input do not touch the mounted patch antenna.
- When soldering RF connectors and patch antennas to the receiver's RF pin, make sure to use an ESD safe soldering iron (tip).



7 Default settings

Interface	Settings
Serial Port 1 Output	9600 Baud, 8 bits, no parity bit, 1 stop bit Configured to transmit both NMEA and UBX protocols, but only following NMEA and no UBX messages have been activated at start-up: GGA, GLL, GSA, GSV, RMC, VTG, TXT (in addition to the 6 standard NMEA messages the LEA-5T includes ZDA)
USB Output	Configured to transmit both NMEA and UBX protocols, but only following NMEA and no UBX messages have been activated at start-up: GGA, GLL, GSA, GSV, RMC, VTG, TXT USB Power Mode: Bus-Powered ¹⁹ (in addition to the 6 standard NMEA messages the LEA-5T includes ZDA)
Serial Port 1 Input	9600 Baud, 8 bits, no parity bit, 1 stop bit Automatically accepts following protocols without need of explicit configuration: UBX, NMEA The GPS receiver supports interleaved UBX and NMEA messages.
USB Input	Automatically accepts following protocols without need of explicit configuration: UBX, NMEA The GPS receiver supports interleaved UBX and NMEA messages. USB Power Mode: Bus-Powered ¹⁹
TIMEPULSE (1Hz Nav)	1 pulse per second, synchronized at rising edge, pulse length 100ms
Power Mode	LEA-5H, LEA-5Q, LEA-5S, LEA-5T: Maximum Performance Mode LEA-5A, LEA-5M: Eco Mode

Table 17: Available Protocols.

Refer to the LEA-5, NEO-5, TIM-5H Hardware Integration Manual [1] for information about further settings.

¹⁹ Supported with all Flash based modules as well as LEA-5S-0-003, LEA-5A-0-003, LEA-5Q-0-002, LEA-5-M-0-002 and above.

8 Labeling and ordering information

8.1 Product labeling

The labeling of u-blox 5 GPS modules includes important product information. The location of the product type number is shown in Figure 7.



Figure 7: Location of product type number on u-blox 5 module label

8.2 Explanation of codes

3 different product code formats are used. The **Product Name** is used in documentation such as this data sheet and identifies all u-blox 5 products, independent of packaging and quality grade. The **Ordering Code** includes options and quality, while the **Type Number** includes the hardware and firmware versions. Table 18 below details these 3 different formats:

Format	Structure
Product Name	PPP-GV
Ordering Code	PPP-GV-T
Type Number	PPP-GV-T-XXX

Table 18: Product Code Formats

The parts of the product code are explained in Table 19.

Code	Meaning	Example
PPP	Product Family	LEA
G	Product Generation	5 = u-blox5
V	Variant	T = Timing, R = DR, etc.
T	Option / Quality Grade	Describes standardized functional element or quality grade such as different RF connector, FLASH size, automotive grade etc.
XXX	Product Detail	Describes product details or options such as hard- and software revision, cable length, etc.

Table 19: part identification code

8.3 Ordering information

Ordering No.	Product
LEA-5A-0	ROM-based u-blox 5 GPS Module, 17x22mm, 250 pcs/reel
LEA-5H-0	Progr. u-blox 5 GPS Module with KickStart, 17 x 22mm, 250 pcs/reel
LEA-5S-0	ROM-based u-blox 5 GPS Module with KickStart, 17x22mm, 250 pcs/reel
LEA-5M-0	ROM-based u-blox 5 GPS module, 17 x 22mm, 250 pcs/reel
LEA-5Q-0	ROM-based u-blox 5 GPS Module with KickStart, 17 x 22mm, 250 pcs/reel
LEA-5T-0	u-blox 5 GPS Module w. Precision Timing, KickStart, 17 x 22mm, 250 pcs/reel
EVK-5P-0	u-blox 5 Evaluation Kit with SuperSense®
EVK-5H-0	u-blox 5 Evaluation Kit with KickStart
EVK-5T-0	u-blox 5 Evaluation Kit with Precision Timing

Table 20: Product Ordering Codes



Product changes affecting form, fit or function are documented by u-blox. For a list of Product Change Notifications (PCNs) see our website at: <http://www.u-blox.com>.

Related documents

- [1] LEA-5, NEO-5, TIM-5H Hardware Integration Manual, Docu. No GPS.G5-MS5-09027
- [2] u-blox 5 Receiver Description including Protocol Specification, Docu. No GPS.G5-X-07036

All these documents are available on our homepage (<http://www.u-blox.com>).



For regular updates to u-blox documentation and to receive product change notifications please register on our homepage.

Revision history

Revision	Date	Name	Status / Comments
1	7/07/2008	tgri	Vbckp, Current Consumption, CI
A	12/11/2008	tgri	CI, Block Diagram, ESD, opp conditions
A1	26/11/2008	tgri	RMS, EEPROM, Antenna Gain, Operational Limits
B	25/05/2009	tgri	New CI, Overview, Product features (SPI), GPS performance (navigation update rate and operational limits), Protocols and interfaces (addition of sections 1.91-1.9.4), Power management (inclusion of sections 1.11.2-1.11.6), Raw data, Pin assignment (SPI), Absolute maximum ratings (ESD ratings), Operating conditions: sustained supply current values, reliability tests and approvals, product handling (new chapter), labeling and ordering information (inclusion of sections 8.1-8.2)
B1	4/06/2009	tgri	Timing power consumption, product labeling information, Prfin
B2	27/07/2009	tgri	Section 2 Mechanical specifications table 11.
B3	20/11/2009	tgri	Update to FW 6.02
B4	16/12/2009	tgri	Update of baking recommendation in 6.2.4, update of LEA-5, NEO-5, TIM-5H Hardware Integration Manual reference.

Contact

For complete contact information visit us at www.u-blox.com

Headquarters

u-blox AG

Zuercherstrasse 68
CH-8800 Thalwil
Switzerland

Phone: +41 44 722 74 44
Fax: +41 44 722 74 47
E-mail: info@u-blox.com

Offices

North, Central and South America

u-blox America, Inc.

Phone: +1 (703) 483 3180
E-mail: info_us@u-blox.com

Regional Office West Coast:

Phone: +1 (703) 483 3184
E-mail: info_us@u-blox.com

Technical Support:

Phone: +1 (703) 483 3185
E-mail: support_us@u-blox.com

Europe, Middle East, Africa

u-blox AG

Phone: +41 44 722 74 44
E-mail: info@u-blox.com

Technical Support:

Phone: +41 44 722 74 44
E-mail: info@u-blox.com

Asia, Australia, Pacific

u-blox Singapore Pte. Ltd.

Phone: +65 6734 3811
E-mail: info_ap@u-blox.com
Support: support_ap@u-blox.com

Regional Office China:

Phone: +86 10 68 133 545
E-mail: info_cn@u-blox.com
Support: support_cn@u-blox.com

Regional Office Japan:

Phone: +81 03 5775 3850
E-mail: info_jp@u-blox.com
Support: support_jp@u-blox.com

Regional Office Korea:

Phone: +82 2 542 0861
E-mail: info_kr@u-blox.com
Support: support_kr@u-blox.com

Regional Office Taiwan:

Phone: +886 2 2657 1090
E-mail: info_tw@u-blox.com
Support: support_tw@u-blox.com