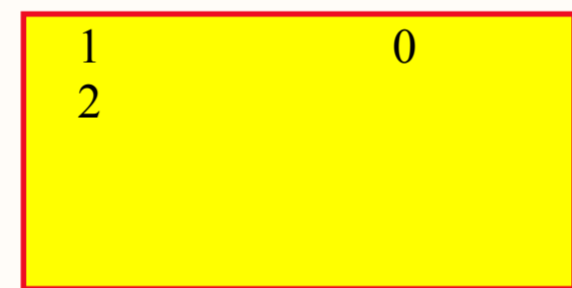
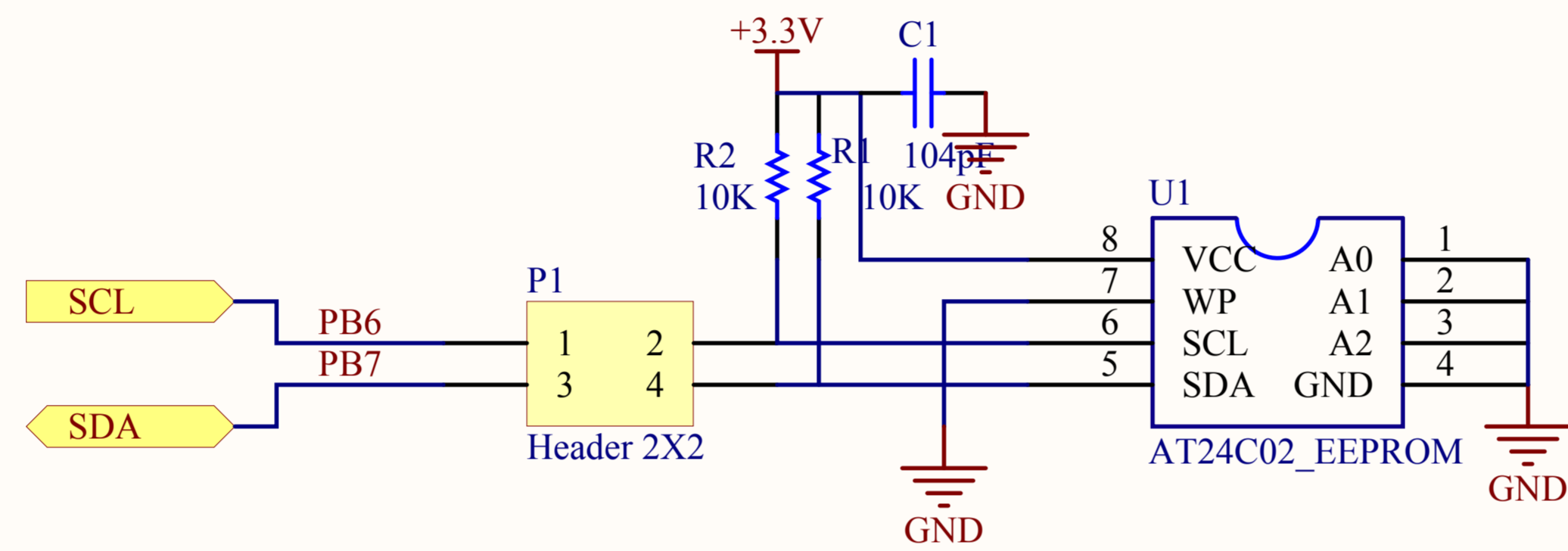


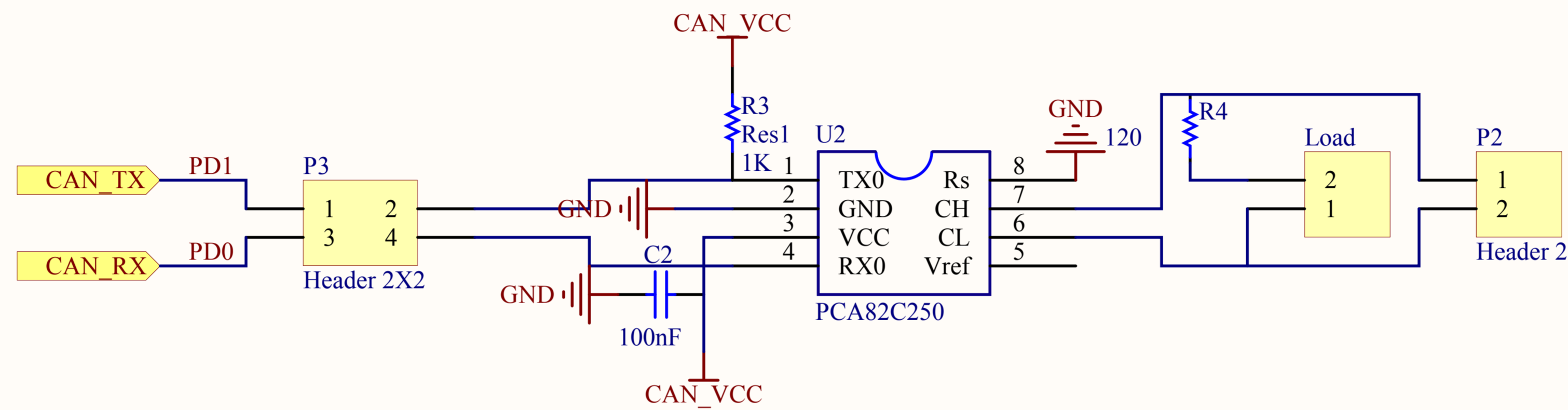
# Sirius Electronics

Title: STM32F103X-EVAL			
Number: SE-STM32I	Rev: V1.0	Date:	Sheet 1 of 10



# Sirius Electronics

Title: STM32F103X-EVAL I2C

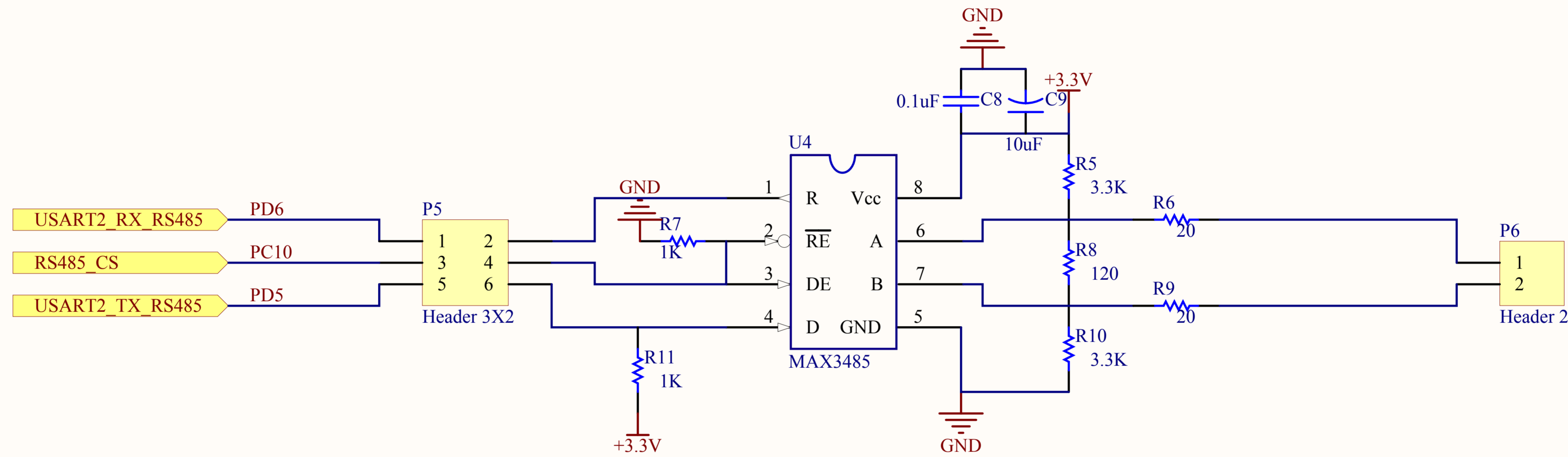
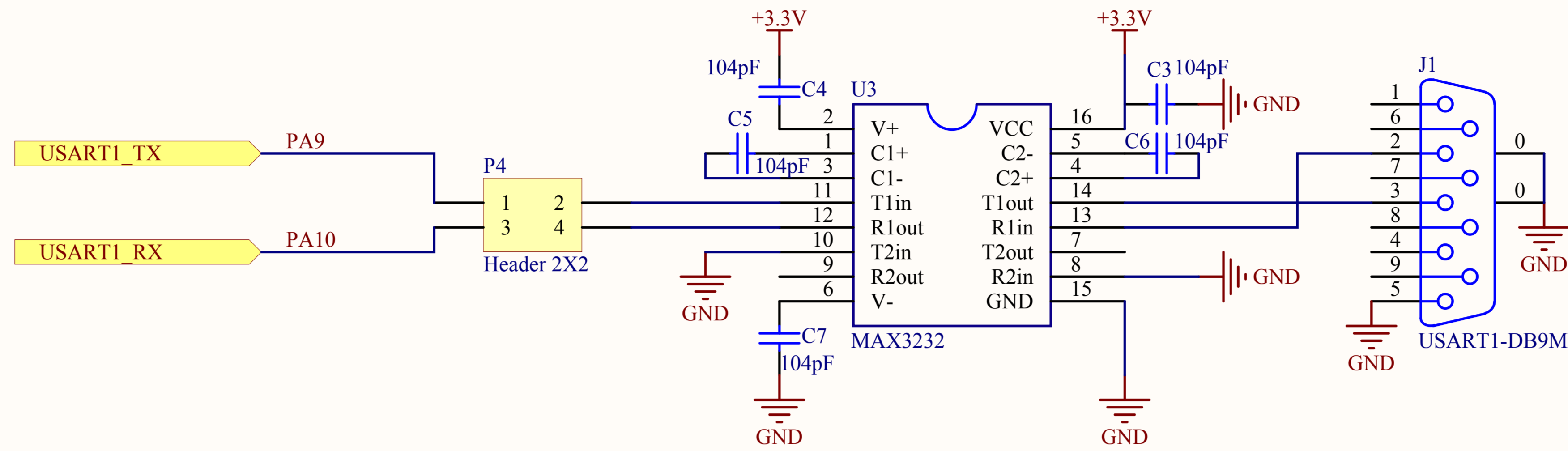


1	Rs	
	Vrs>0.75Vcc	
	0.3Vcc<Vrs<0.6Vcc	
	Vrs<0.3Vcc	
2	Vref	Vref=0.5Vcc

# Sirius Electronics

Title: STM32F103X-EVAL CAN

Number: SE-STM32I    Rev: V1.0    Date:    Sheet 7 of 10

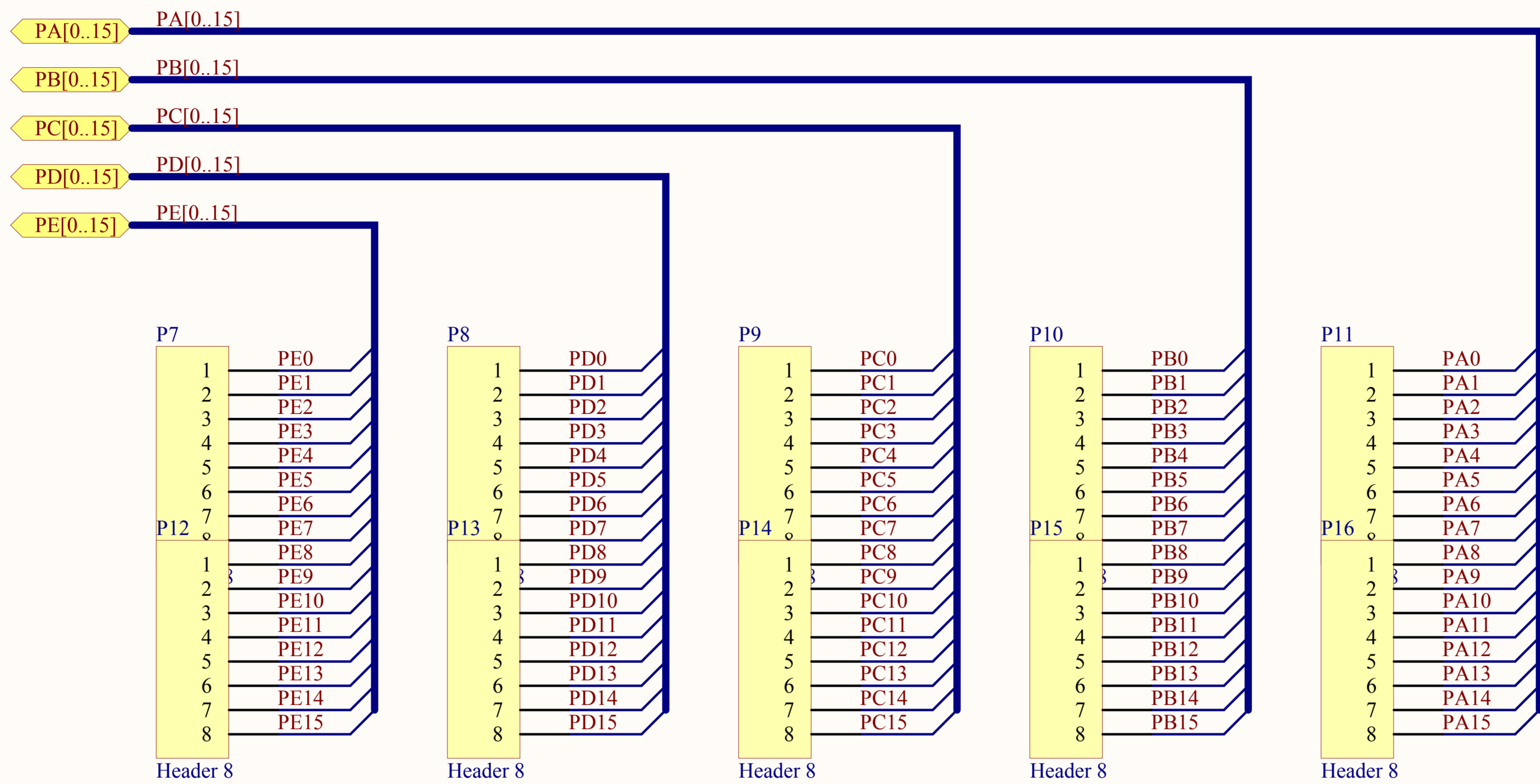


(1)RS232  
 (2)RS485

# Sirius Electronics

Title: STM32F103X-EVAL USART

Number: SE-STM32I    Rev: V1.0    Date:    Sheet 8 of 10

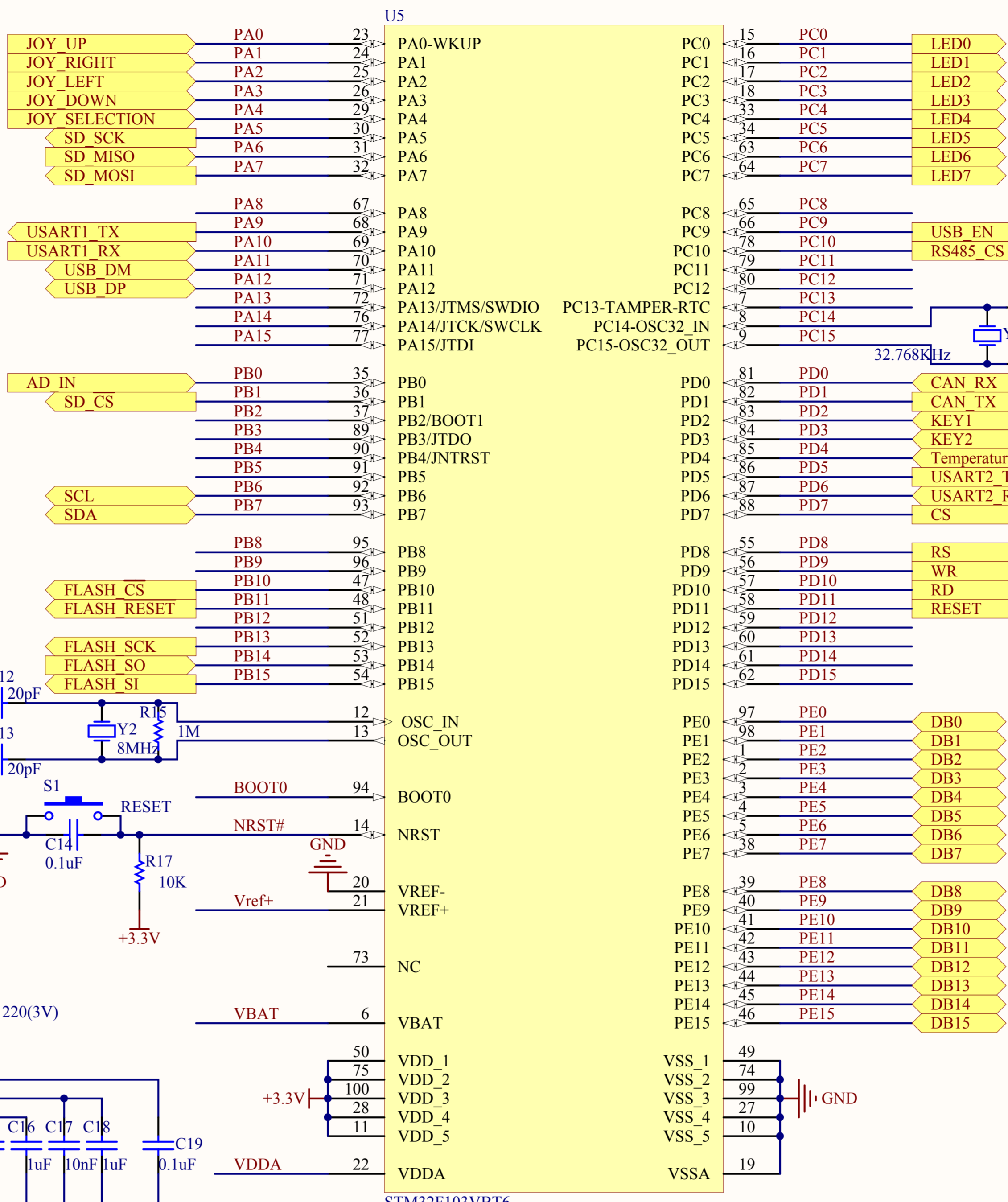
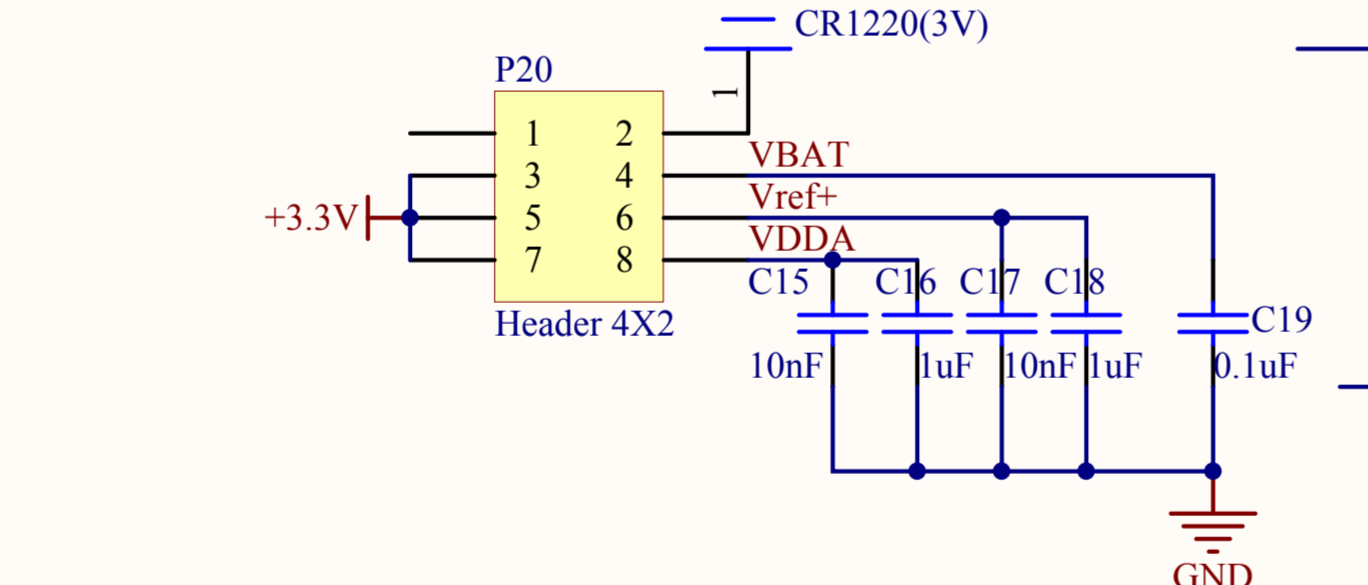
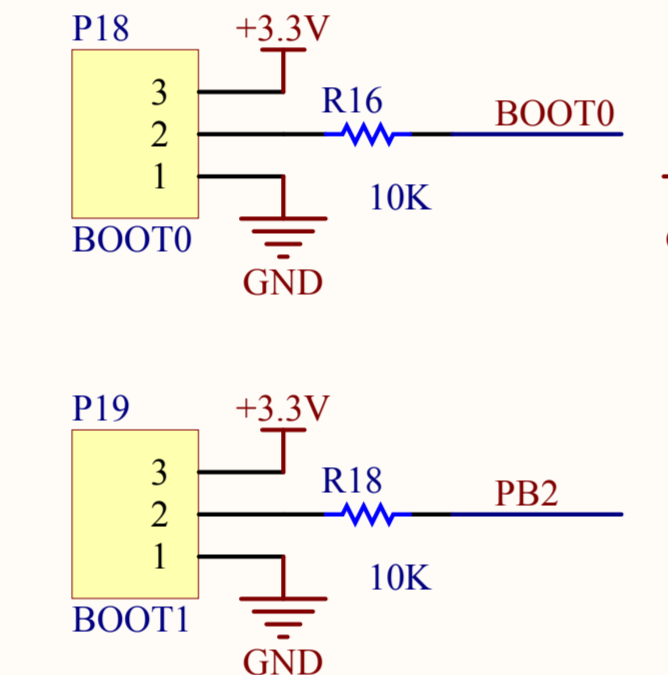
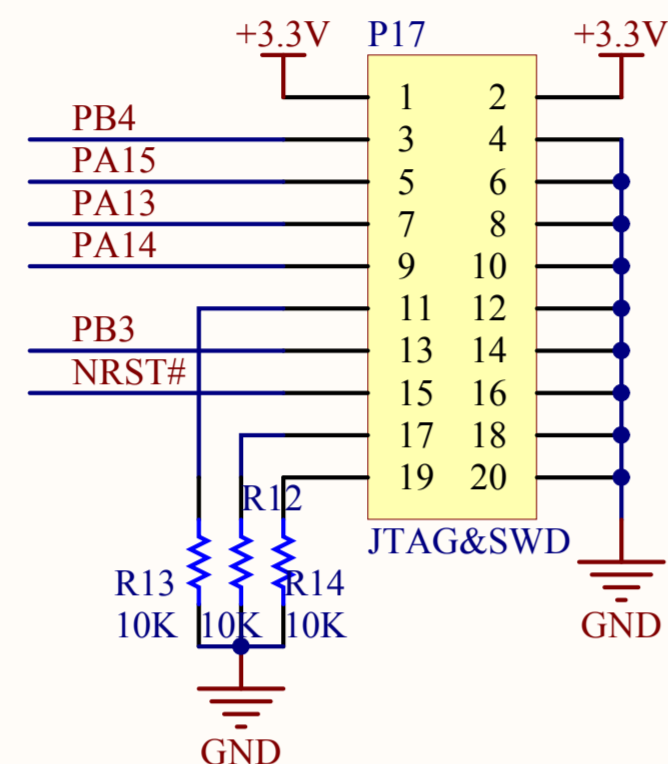
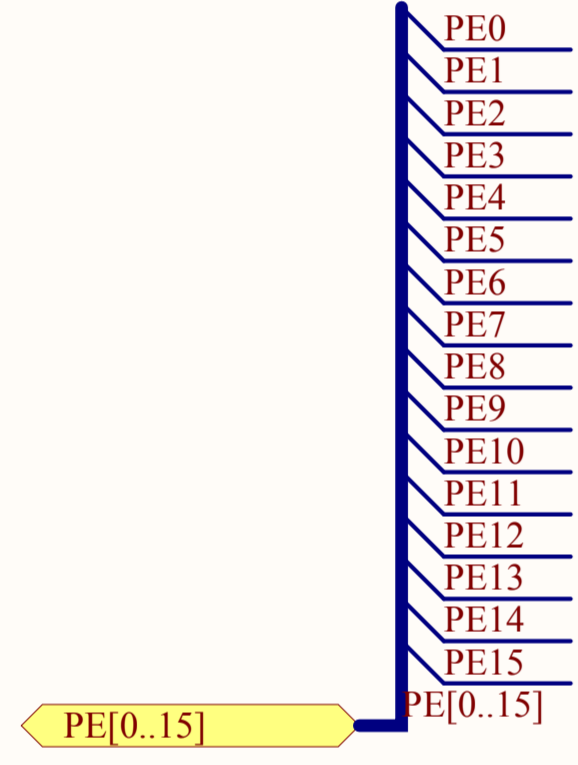
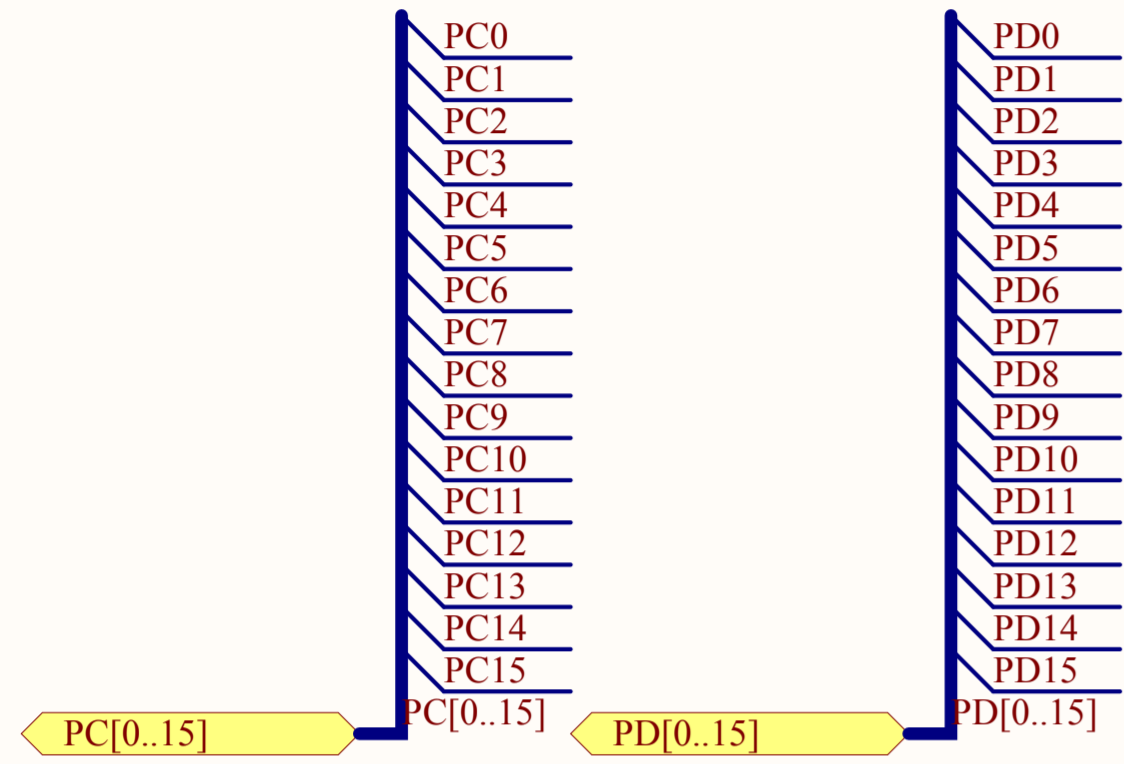
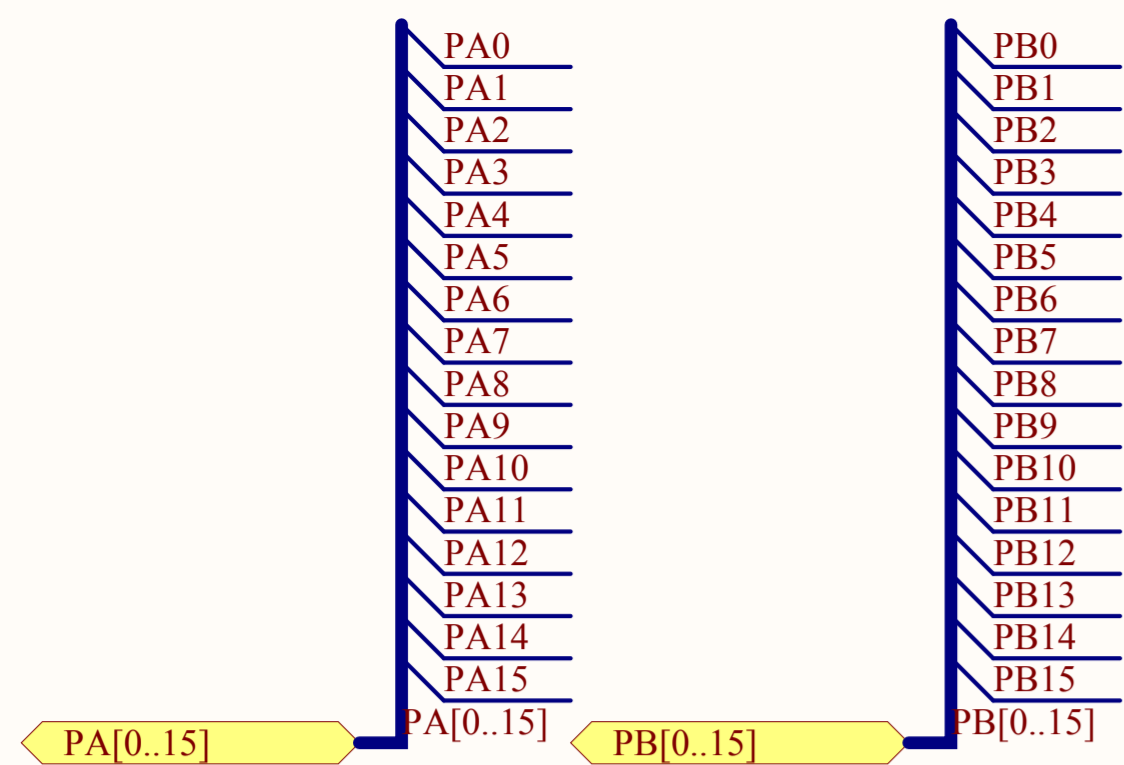


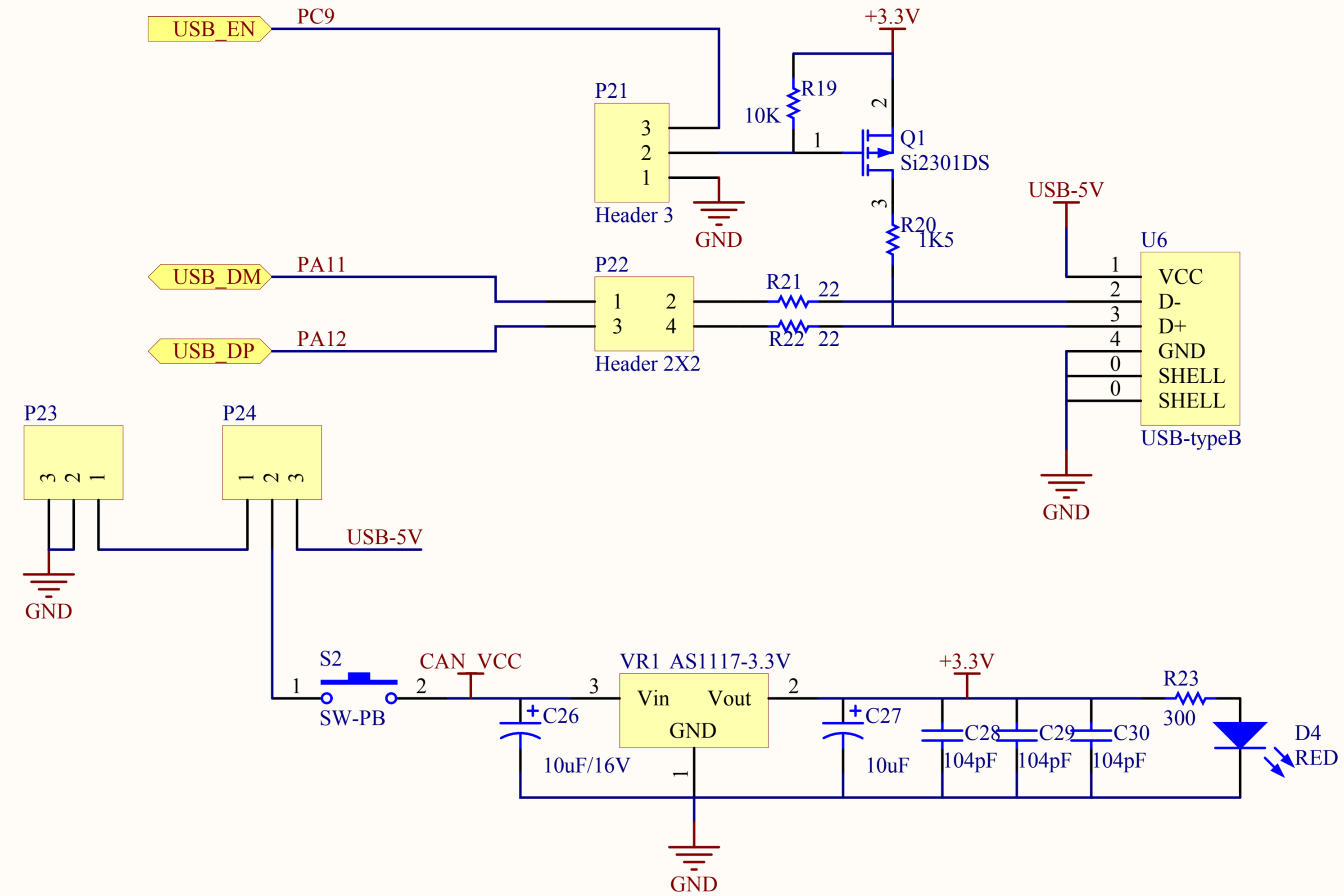
# Sirius Electronics

Title: STM32F103X-EVAL EXTENTION

Number: SE-STM32I    Rev: V1.0    Date:    Sheet 5 of 10

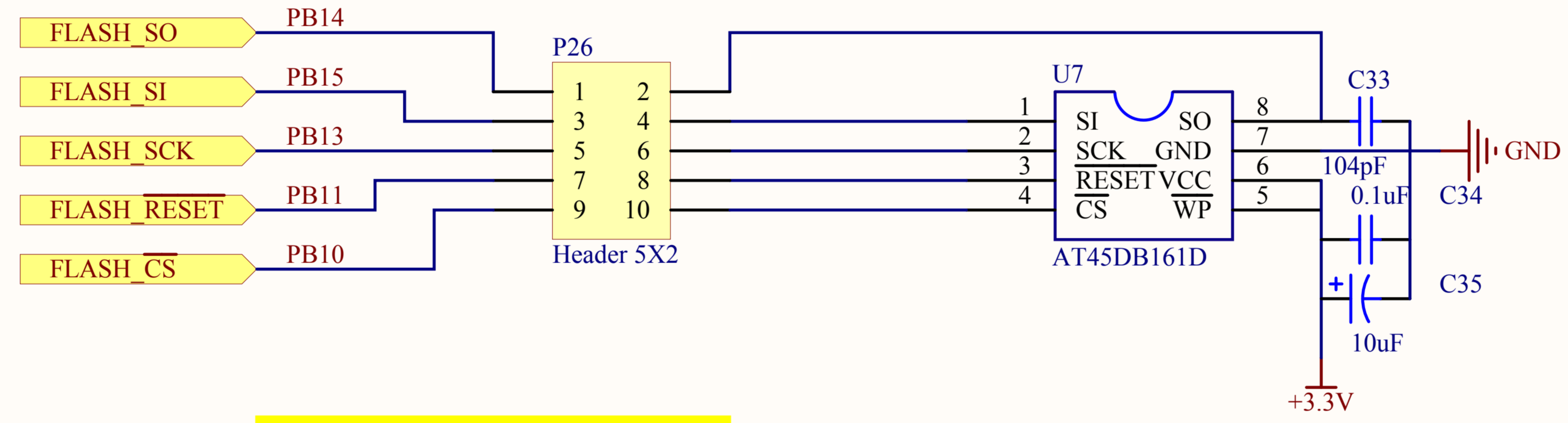
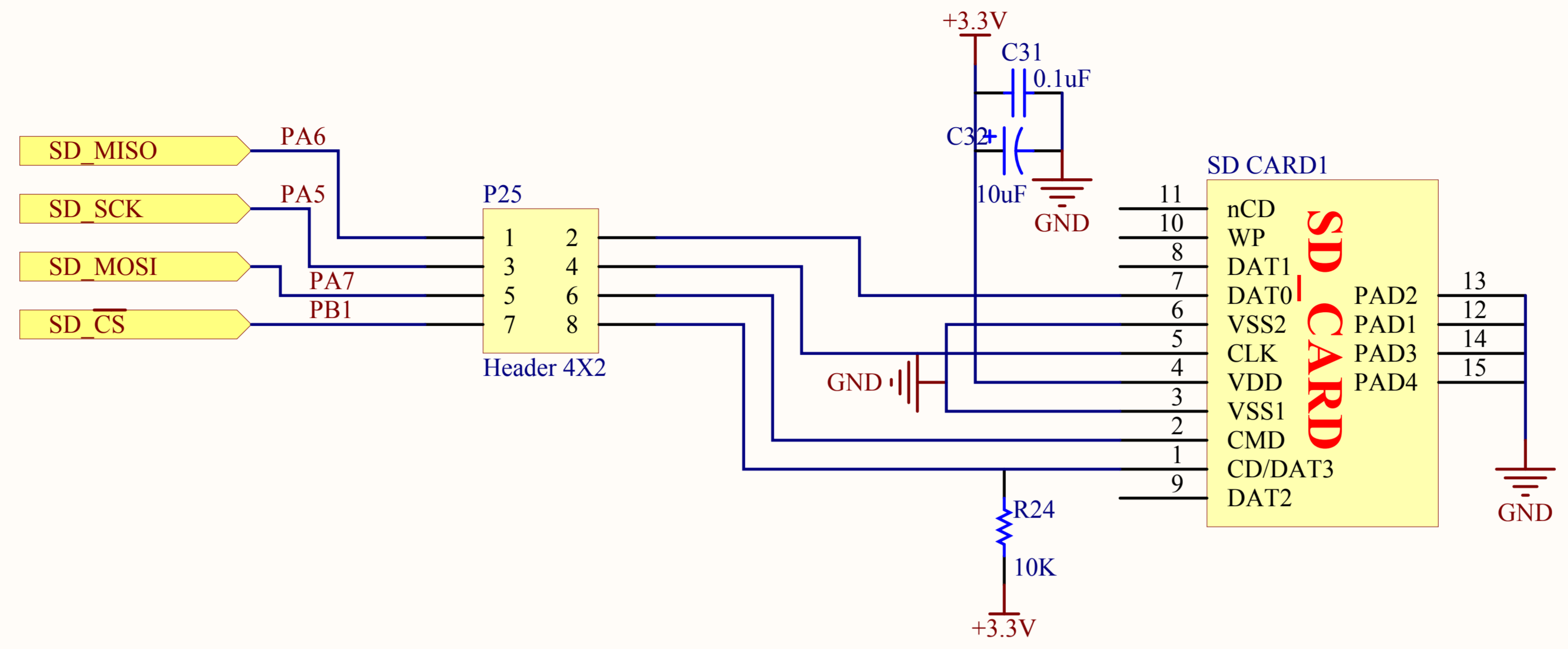






# Sirius Electronics

Title: STM32F103X-EVAL USB&POWER			
Number: SE-STM32I	Rev: V1.0	Date:	Sheet 6 of 10

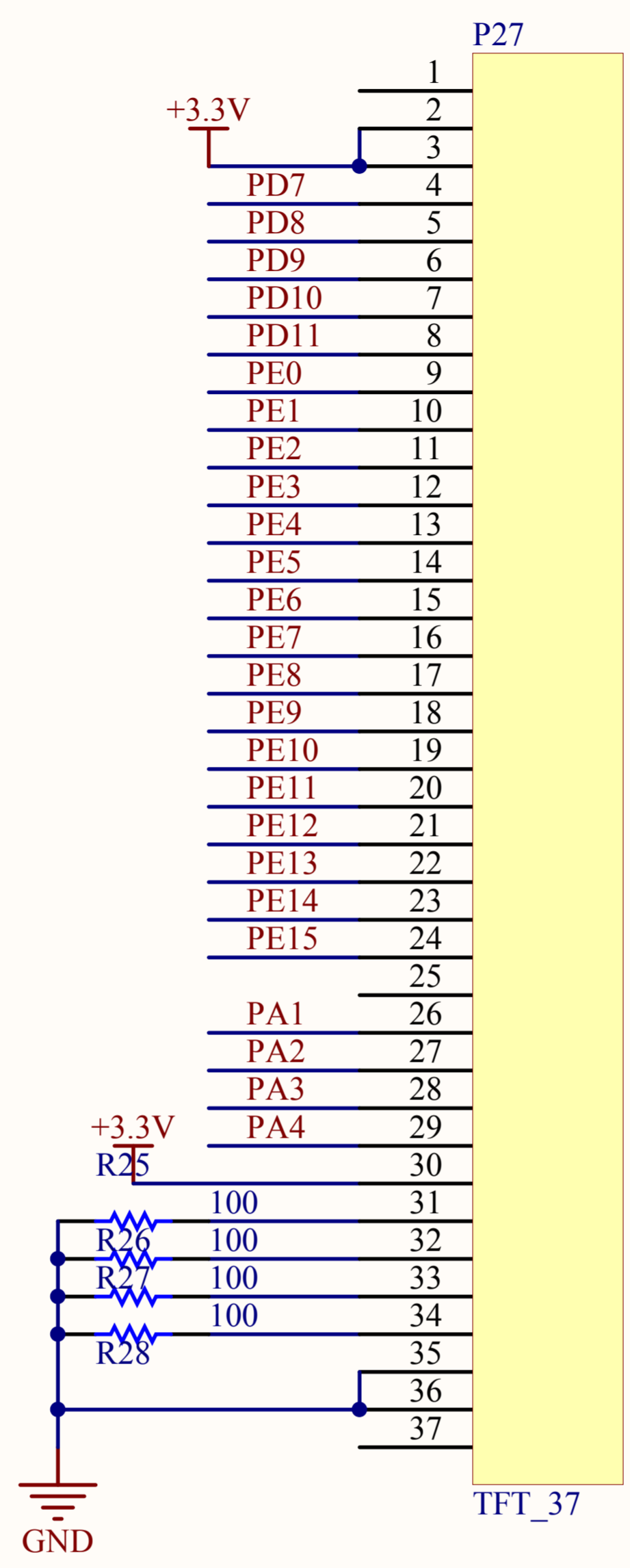
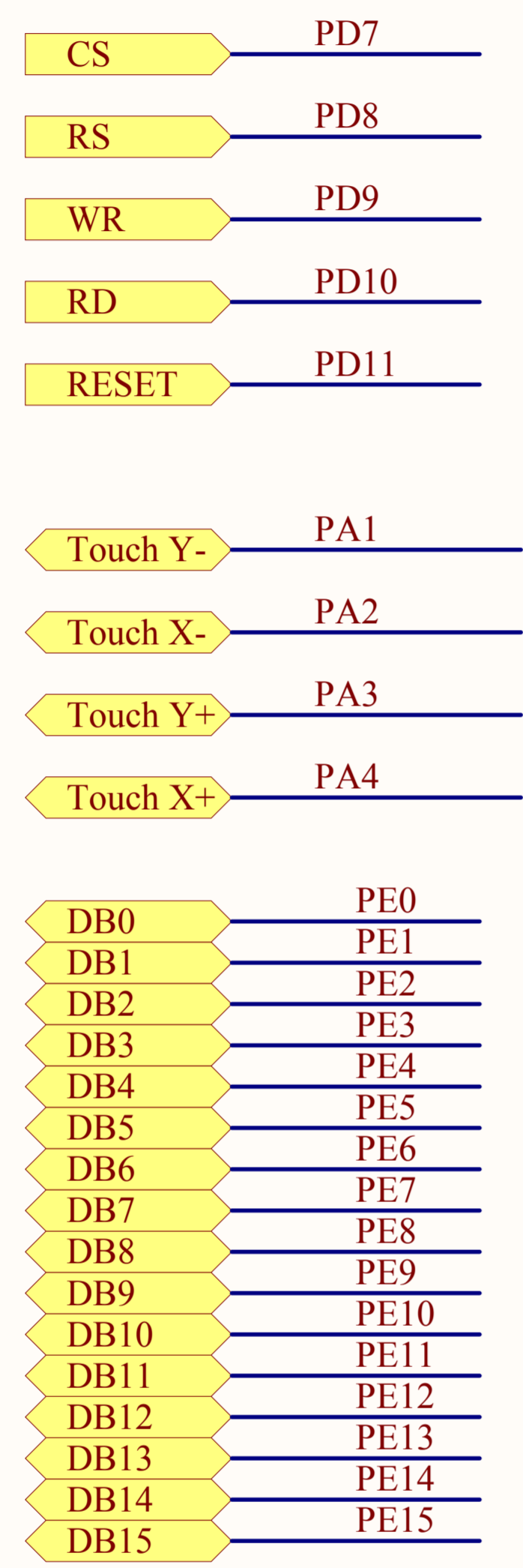


1	SD	SPI1
2	AT45DB161D	SPI2

# Sirius Electronics

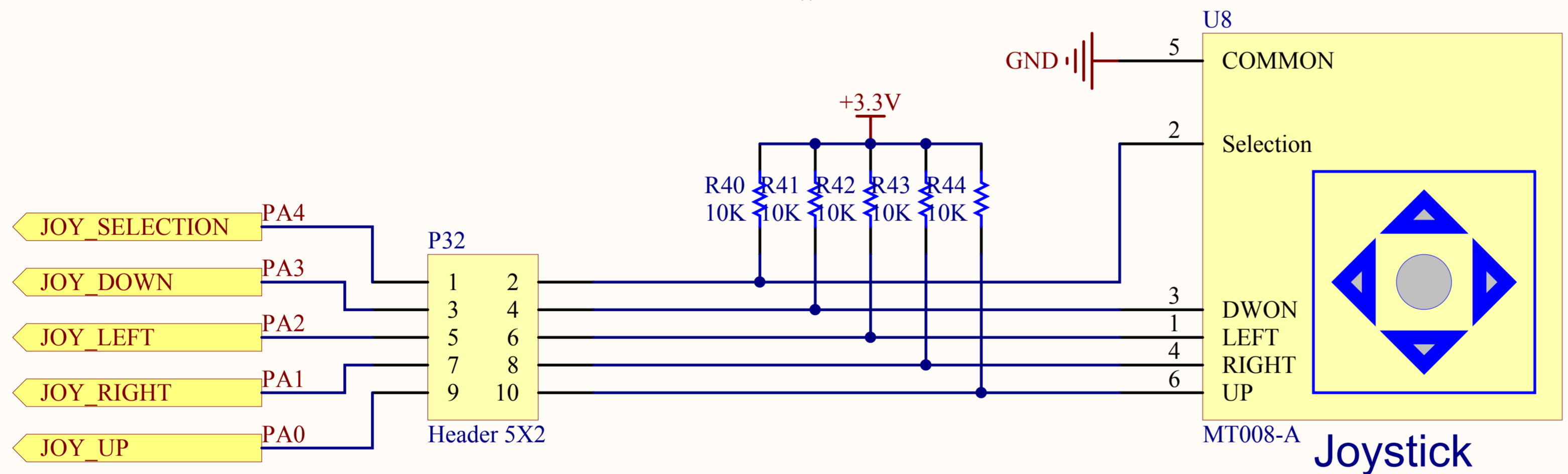
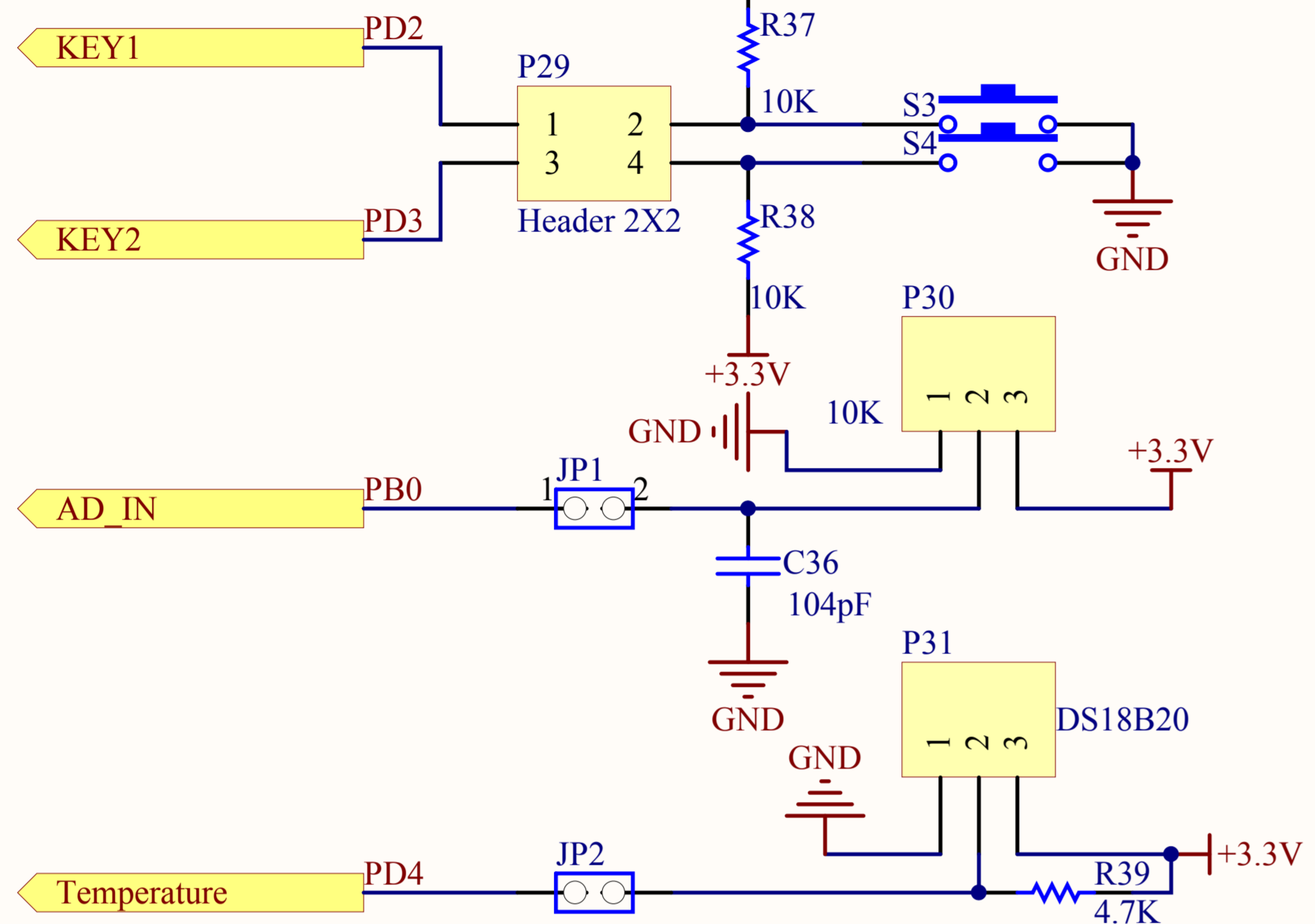
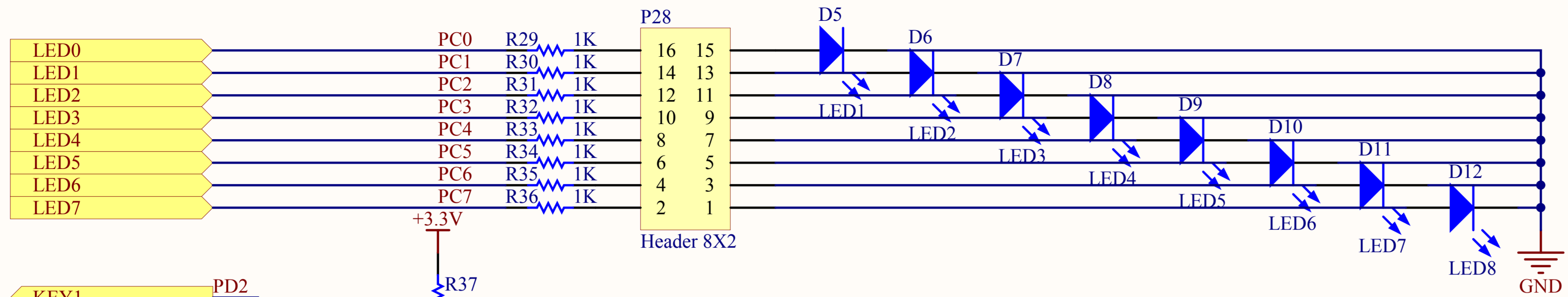
Title: STM32F103X-EVAL SPI			
Number: SE-STM32I	Rev: V1.0	Date:	Sheet 4 of 10





# Sirius Electronics

Title: STM32F103X-EVAL TFT			
Number: SE-STM32I	Rev: V1.0	Date:	Sheet 10 of 10



# Sirius Electronics

Title: STM32F103X-EVAL USER			
Number: SE-STM32I	Rev: V1.0	Date:	Sheet 9 of 10