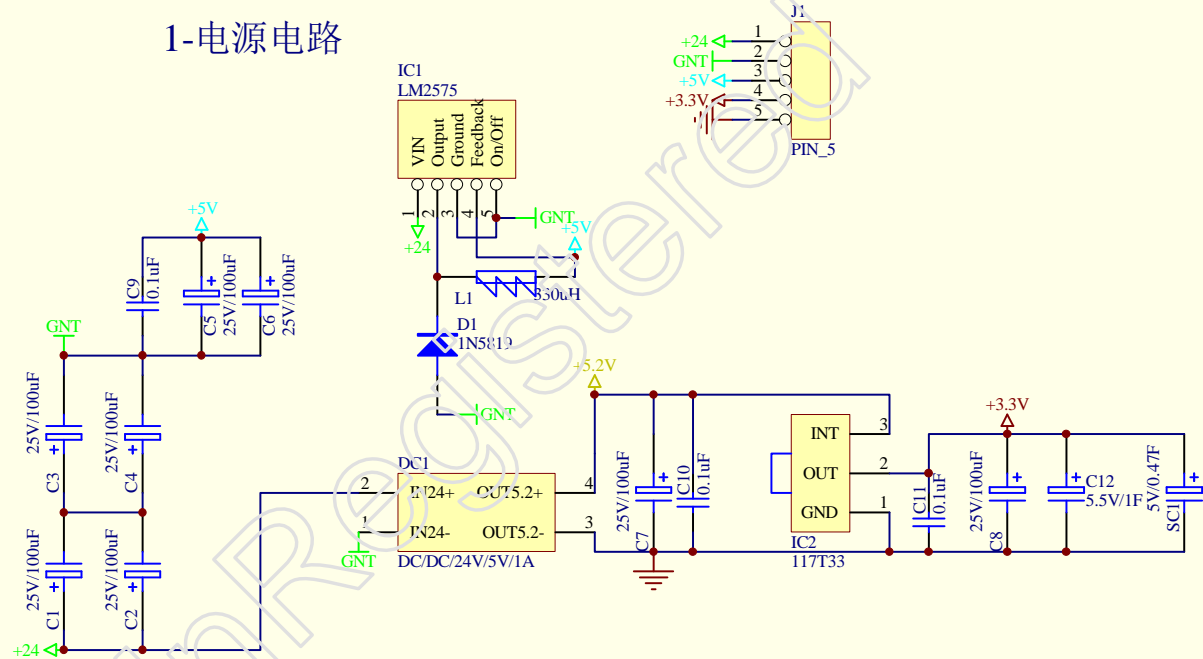


# 1-电源电路



Title		
Size	Number	Revision
A		
Date:	4-Aug-2010	Sheet of
File:	E:\MY_PLC_NEW\PLC_New.ddb	Drawn By: