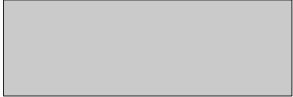
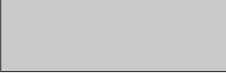


Draw by Zsh MAI:270171730@qq.com
<http://hi.baidu.com/ddddd120>

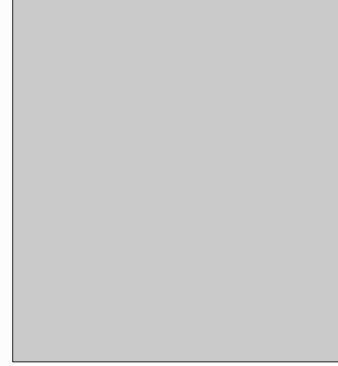
U_OBDPOWER
 OBDPOWER.SchDoc



U_UART1
 UART1.SchDoc



U_ATMEGA_CORE
 ATMEGA_CORE.SchDoc



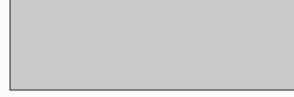
U_OBD_KL
 OBD_KL.SchDoc



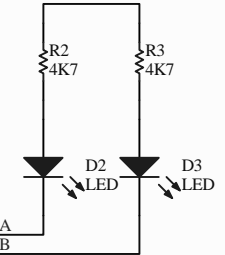
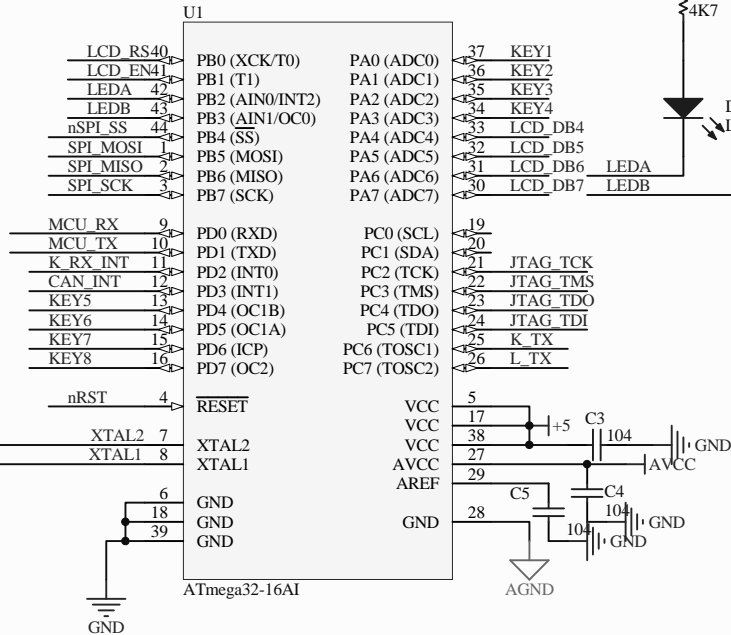
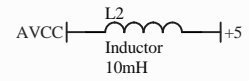
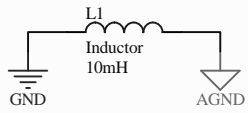
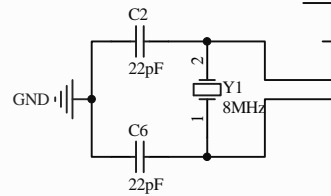
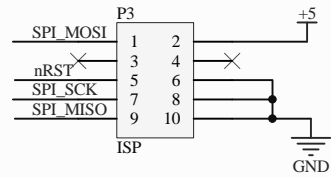
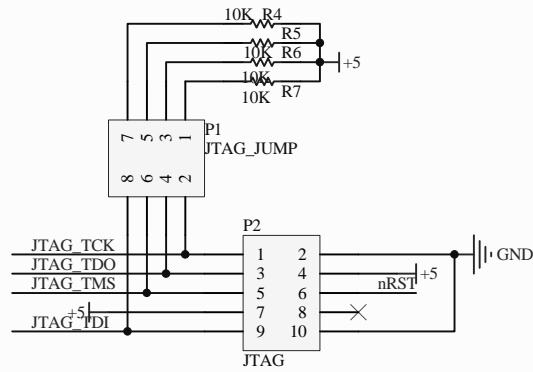
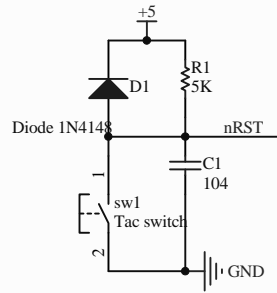
U_CAN_MCP2515
 CAN_MCP2515.SchDoc



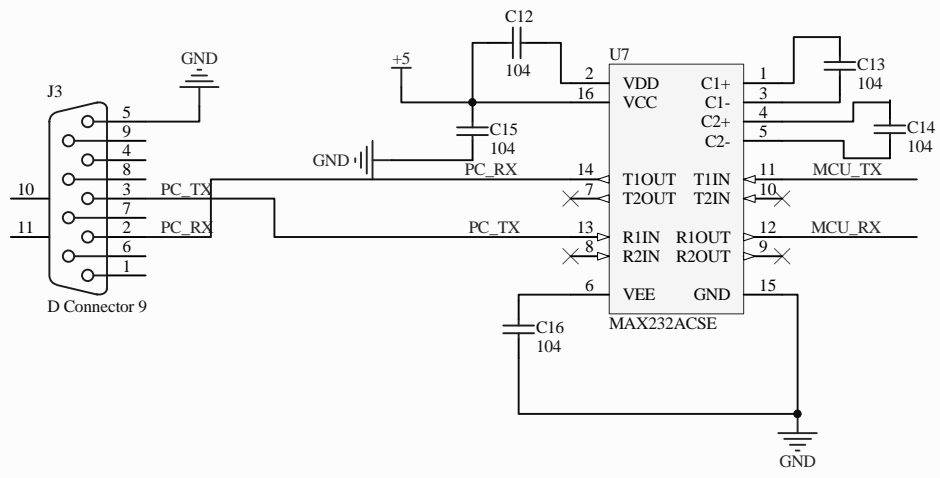
U_KEYBOARD
 KEYBOARD.SchDoc



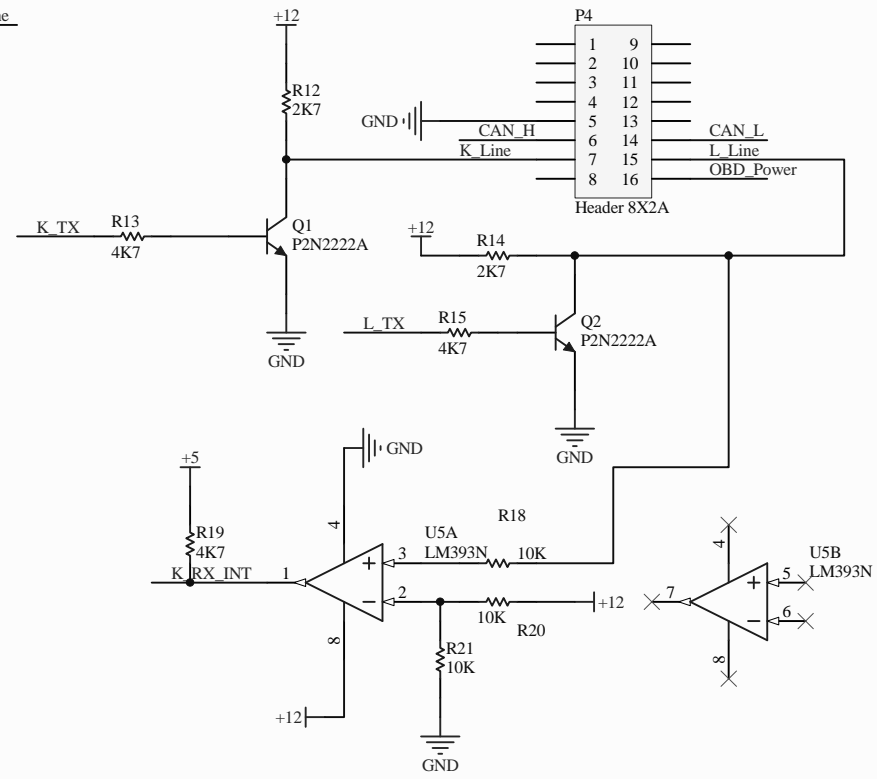
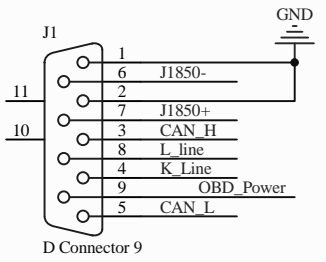
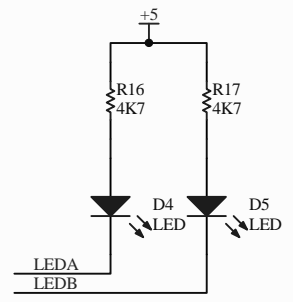
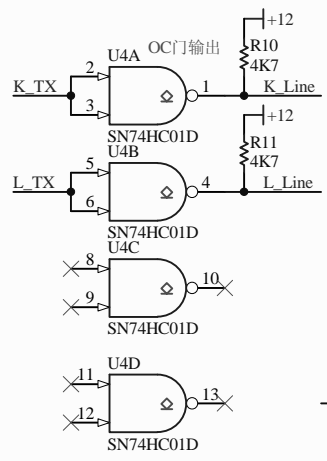
Title		
Size A4	Number	Revision
Date:	2010-7-27	Sheet of
File:	D:\Pro_pcb\Atmega_KL\OBD.SchDoc	Drawn By:



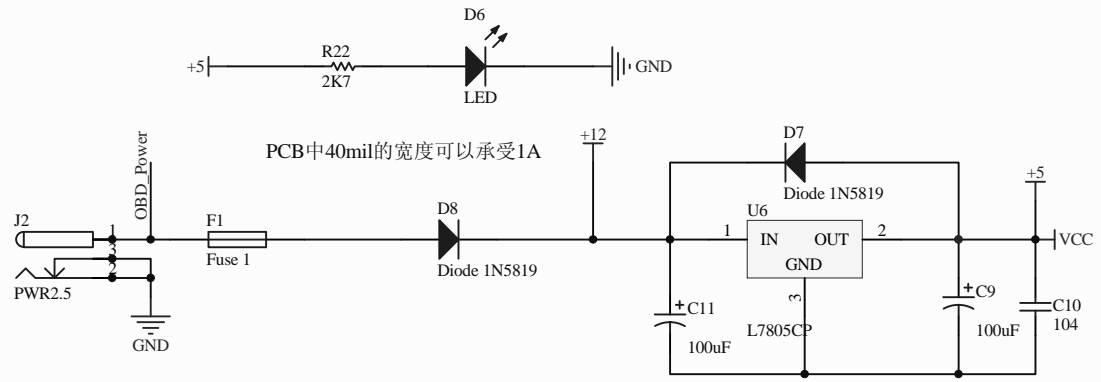
Title		Draw by Zsh MAIL:270171730@qq.com	
Size	A4	Number	http://hi.baidu.com/ddddd120
Date:	2010-7-27	Sheet of	1/1
File:	D:\Pro_pcb\Atmega_KL\ATMEGA_CORE	Drawn By:	



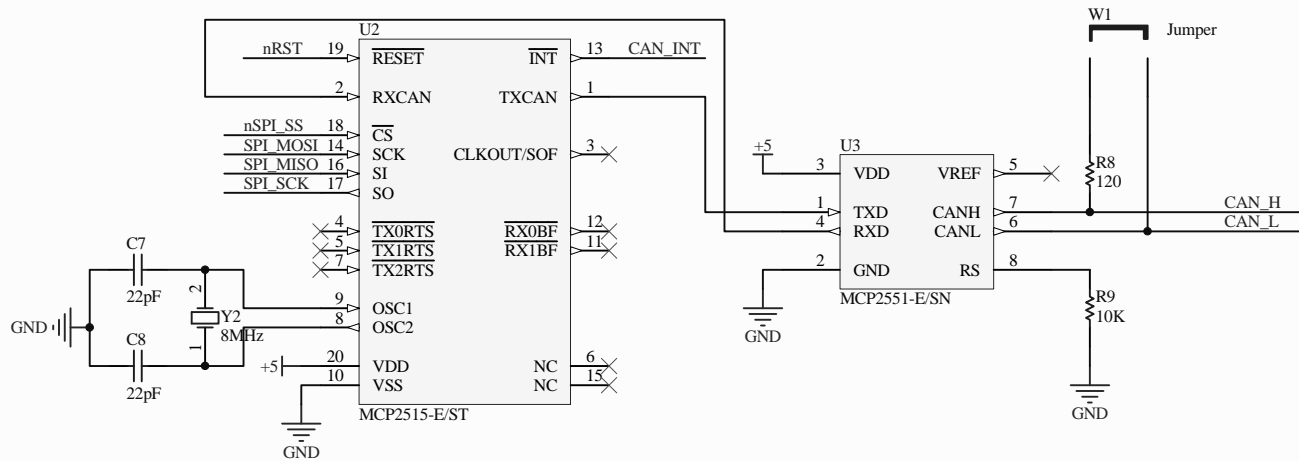
Title			
Draw by Zsh MAIL:270171730@qq.com			
Size	Number	Revision	
A4		http://hi.baidu.com/ddddd120	
Date:	2010-7-27	Sheet of	
File:	D:\Pro_pcb\Atmega_KL\UART1.SchDoc	Drawn By:	



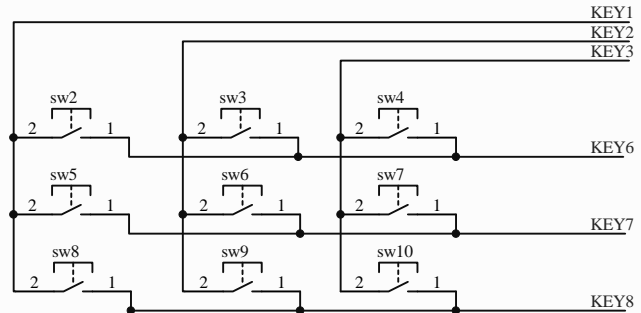
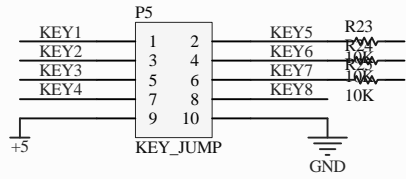
Title		
Draw by Zsh MAIL:270171730@qq.com		
Size A4	Number http://hi.baidu.com/ddddd120	Revision
Date: 2010-7-27	Sheet of	
File: D:\Pro_pcb\Atmega_KL\OBD_KL.SchDoc	Drawn By:	



Title		
Draw by Zsh MAIL:270171730@qq.com		
Size A4	Number http://hi.baidu.com/ddddd120	Revision
Date:	2010-7-27	Sheet of
File:	D:\Pro_pcb\Atmega_KL\OBPOWER.Sch Drawn By:	



Title		
Size A4	Number	Revision
Date:	2010-7-27	Sheet of
File:	D:\Pro_pcb\Atmega_KL\CAN_MCP2515_Sch.Dwg By:	



Title		
Size A4	Number	Revision
Date:	2010-7-27	Sheet of
File:	D:\Pro_pcb\Atmega_KL\KEYBOARD.Sch Drawn By:	