

TOSHIBA

SP-870-019

PPGREM

--Creating Remote Controller Waveform Using PPG--

Rev 1.1
Dec. 2005

1. Target MCU

This sample program is created targeting at the TLCS-870/X series.
When using an MCU other than the TLCS-870/X series, refer to the data sheet for that MCU.

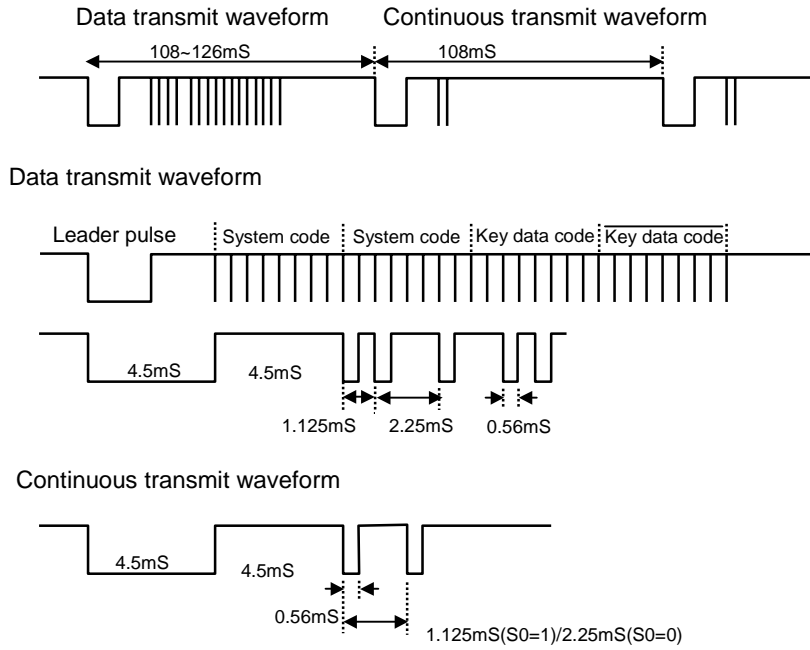
2. Overview

This sample program creates a remote controller waveform using PPG.

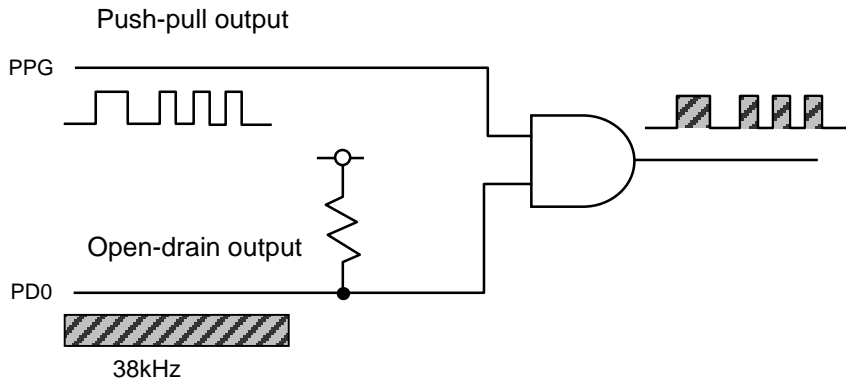
3. Description

The program creates a remote controller waveform using PPG and PDO.

A remote controller waveform usually consists of a leader section and code section, modulated using a carrier signal which has a frequency of approximately 38 kHz. The program supports remote controller waveforms equivalent to those for the TC9012F and TC9243F.



This program uses PPG to create a remote controller waveform and PDO to create a carrier signal. An external circuit combines them. The program uses the PPG (P14) and PDO4 (P32) output ports.



4. Passing Data

Use the following variables to exchange data:

[Variable: GRMOTSC] System code

[Variable: GRMOTDC] Data code

5. Interrupts

- TC1 interrupts: To output a signal
- TC2 Interrupts: To determine the output cycle

- The information contained herein is subject to change without notice.
- The information contained herein is presented only as a guide for the applications of our products. No responsibility is assumed by TOSHIBA CORPORATION for any infringements of intellectual property or other rights of the third parties which may result from its use. No license is granted by implication or otherwise under any intellectual property or other rights of TOSHIBA CORPORATION or others.
- TOSHIBA is continually working to improve the quality and reliability of its products. Nevertheless, semiconductor devices in general can malfunction or fail due to their inherent electrical sensitivity and vulnerability to physical stress. It is the responsibility of the buyer, when utilizing TOSHIBA products, to comply with the standards of safety in making a safe design for the entire system, and to avoid situations in which a malfunction or failure of such TOSHIBA products could cause loss of human life, bodily injury or damage to property. In developing your designs, please ensure that TOSHIBA products are used within specified operating ranges as set forth in the most recent TOSHIBA products specifications. Also, please keep in mind the precautions and conditions set forth in the "Handling Guide for Semiconductor Devices," or "TOSHIBA Semiconductor Reliability Handbook" etc..
- The TOSHIBA products listed in this document are intended for usage in general electronics applications (computer, personal equipment, office equipment, measuring equipment, industrial robotics, domestic appliances, etc.). These TOSHIBA products are neither intended nor warranted for usage in equipment that requires extraordinarily high quality and/or reliability or a malfunction or failure of which may cause loss of human life or bodily injury ("Unintended Usage"). Unintended Usage include atomic energy control instruments, airplane or spaceship instruments, transportation instruments, traffic signal instruments, combustion control instruments, medical instruments, all types of safety devices, etc.. Unintended Usage of TOSHIBA products listed in this document shall be made at the customer's own risk.
- TOSHIBA is continually working to improve the quality and reliability of its products. Nevertheless, the hardware and software incorporated in this TOSHIBA products in general can malfunction or fail due to their inherent electrical sensitivity and vulnerability to physical stress.
- TOSHIBA does not take any responsibility for incidental damage "including loss of business profit, business interruption, loss of business information, and other pecuniary damage" arising out of the use or disability to use the product.
- The products described in this document are subject to the foreign exchange and foreign trade laws.
- TOSHIBA products should not be embedded to the downstream products which are prohibited to be produced and sold, under any law and regulations.