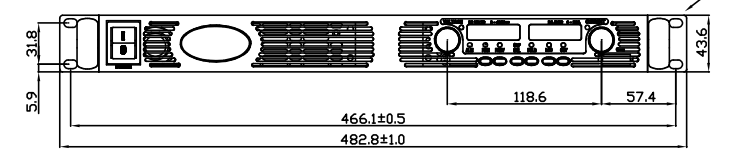
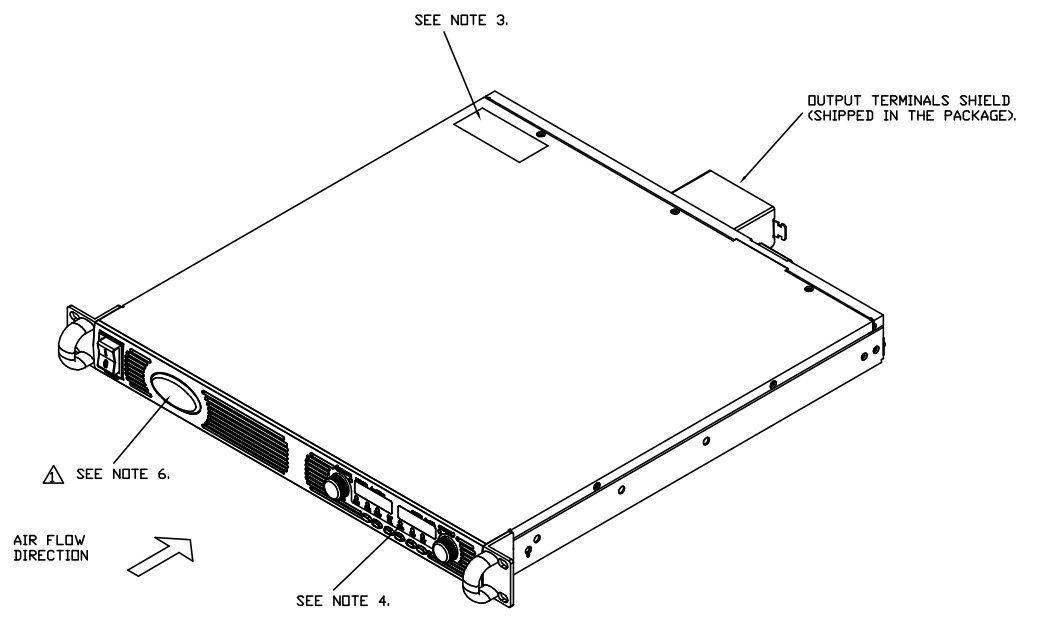
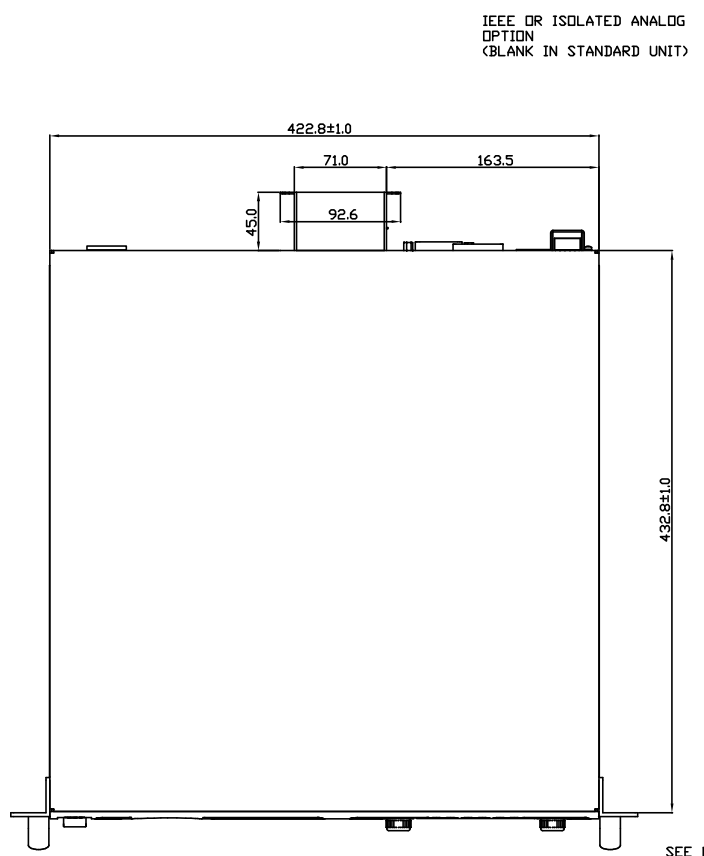
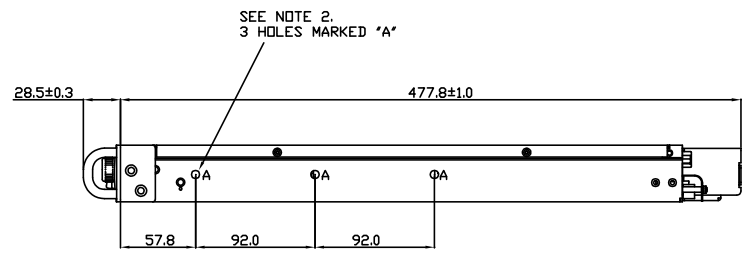
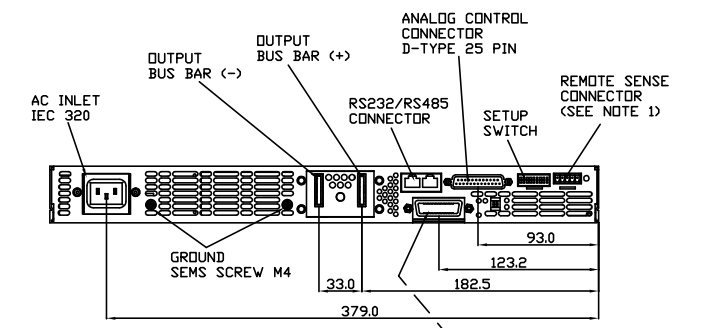


D	CONTENTS	DATE	ENGR	CHK	APPD
A	NEW DRAWING	13.MAY.2003			
B	△~△ REV. #-5	16.NOV.2003			
C	△	23.DEC.2003			



△ ACCESSORIES

ITEM	PART NUMBER	QTY.	PACKING	OUTER PACKING	NOTE
HEXAGONAL SCREW M8x15	DIN933 BN56	2	PLASTIC BAG	PLASTIC BAG	FOR 6V-60V MODELS ONLY.
HEXAGONAL NUT M8	DIN439B BN124	2			
SPRING WASHER M8	DIN7980 BN774	2			
FLAT WASHER M8	DIN125A BN715	4	PLASTIC BAG	PLASTIC BAG	BUS BAR INSULATOR ASSEMBLED TO BUS BAR COVER
SEMS SCREW M3x8		2			
BUS BAR COVER	IA575-32-10_	1	NONE		
BUS BAR COVER INSULATOR	IA575-33-07_	1			
LINKING CABLE	IA575-81-11_	1	PLASTIC BAG		
DB25 PLUG KIT	749809-3 AMP	1	PLASTIC BAG		

LAMBDA RESTRICTED  
 THIS DOCUMENT AND ANY ASSOCIATED DATA CONTAINS RESTRICTED INFORMATION THAT IS LAMBDA'S PROPERTY. INFORMATION CONTAINED ON THIS DOCUMENT IS TO NOT BE DUPLICATED OR DISCLOSED WITHOUT PRIOR CONSENT AND APPROVAL OF LAMBDA.

- NOTES
- MATING PLUG P/N: MC1.5/5-G-3.81 PHOENIX.
  - MOUNTING HOLES FOR SLIDES P/N: CC3001-00-S160, GENERAL DEVICES OR EQUIVALENT. USE 3x#10-32x0.38inch SCREWS FOR EACH SLIDE. ENSURE THAT THE SCREWS DO NOT PENETRATE MORE THAN 5.0mm INTO THE UNIT.
  - AC INPUT RATING AND SAFETY APPROVAL SYMBOLS ARE SHOWN HERE ACCORDING TO THE SPECIFICATION.
  - MODEL NAME AND OUTPUT RATING ARE SHOWN HERE ACCORDING TO THE SPECIFICATIONS.
  - MOUNTING HOLES FOR 19" RACK, USE M6x16 SCREWS TO FIX THE UNIT TO THE RACK.
  - COMPANY LOGO IS SHOWN HERE.

DWG	R.George	SHEET OF	MATERIALS		TITLE	GEN 1U 750W-LV
ENGR	R.George	1 1				OUTLINE DRAWING
CHK		SCALE	FINISH		DRAWING No.	IA 584-02-01- [C]
APPD		UNITS				
ISSUED		3RD ANGLE PROJECTION			△ NEMIC-LAMBDA	