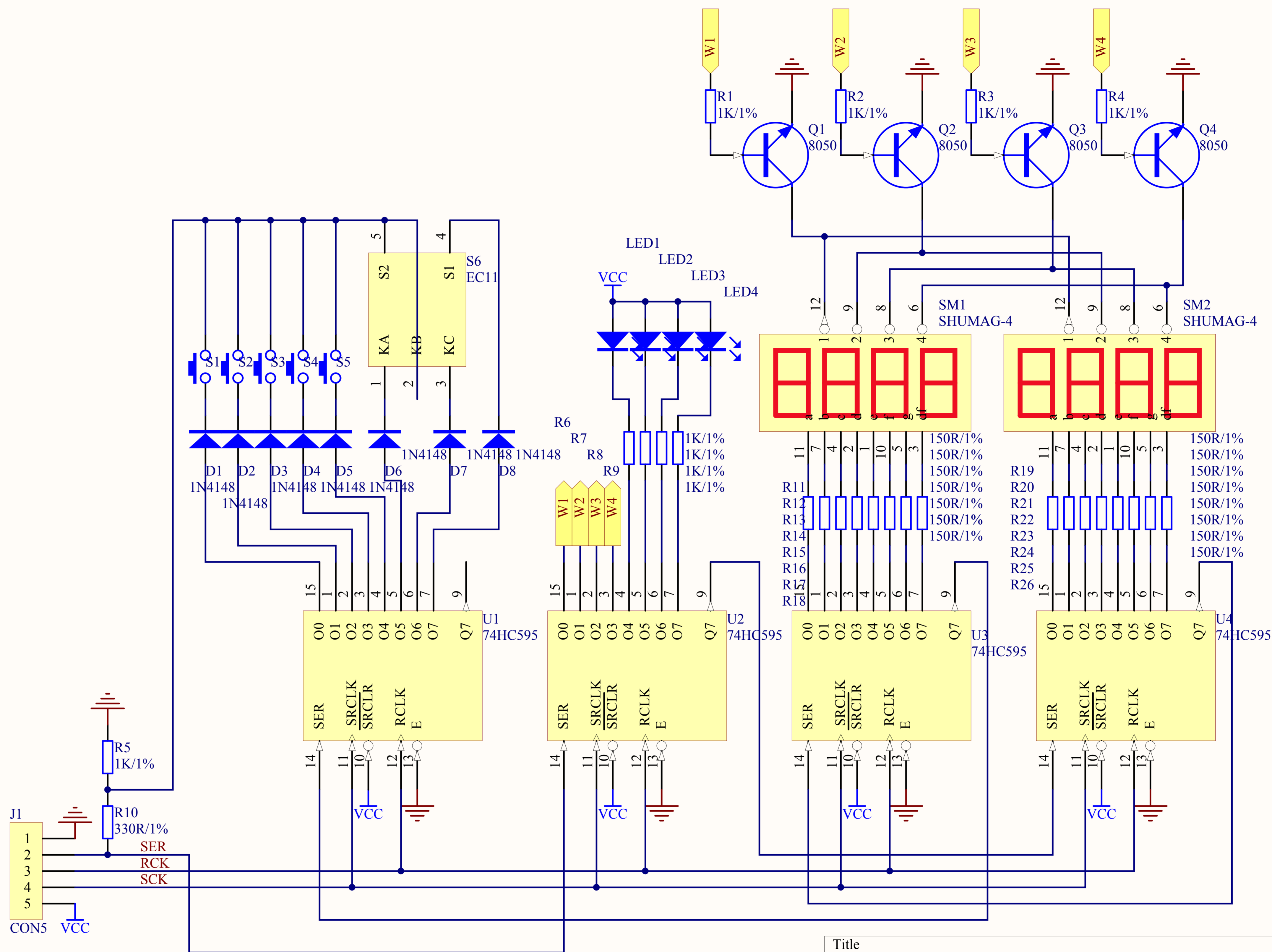
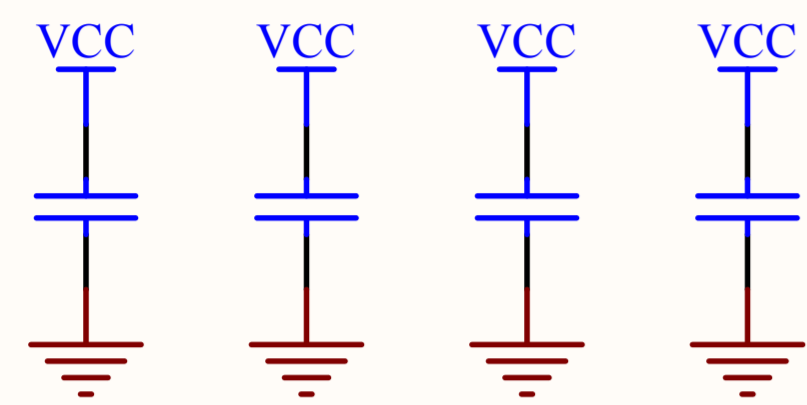


C1 C2 C3 C4
0.1UF/63V 0.1UF/63V 0.1UF/63V 0.1UF/63V



Title		
Size	Number	Revision
A4		
Date:	2010-7-1	Sheet of
File:	D:\ STM32	Drawn By: