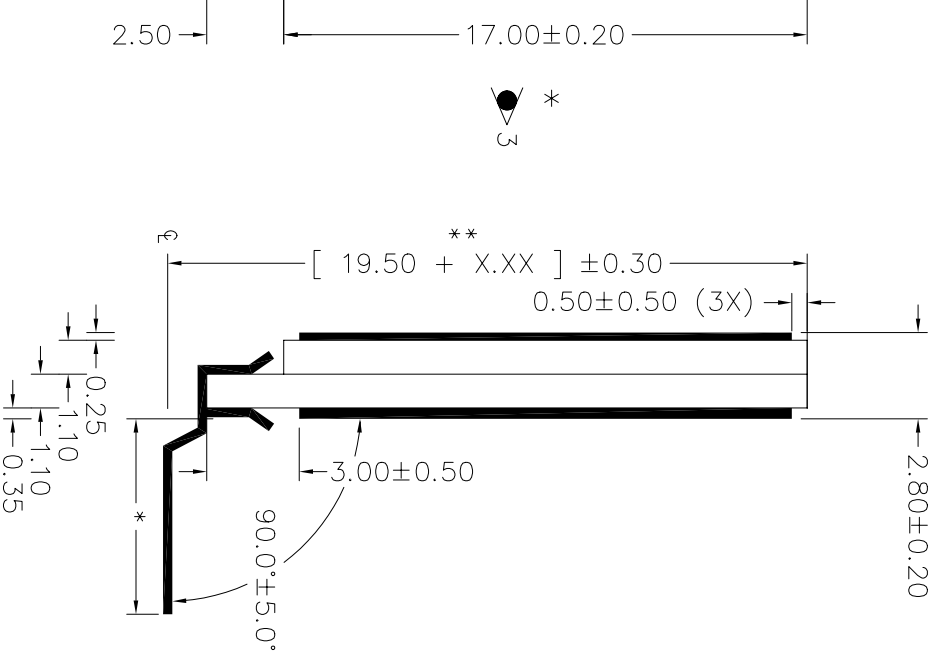
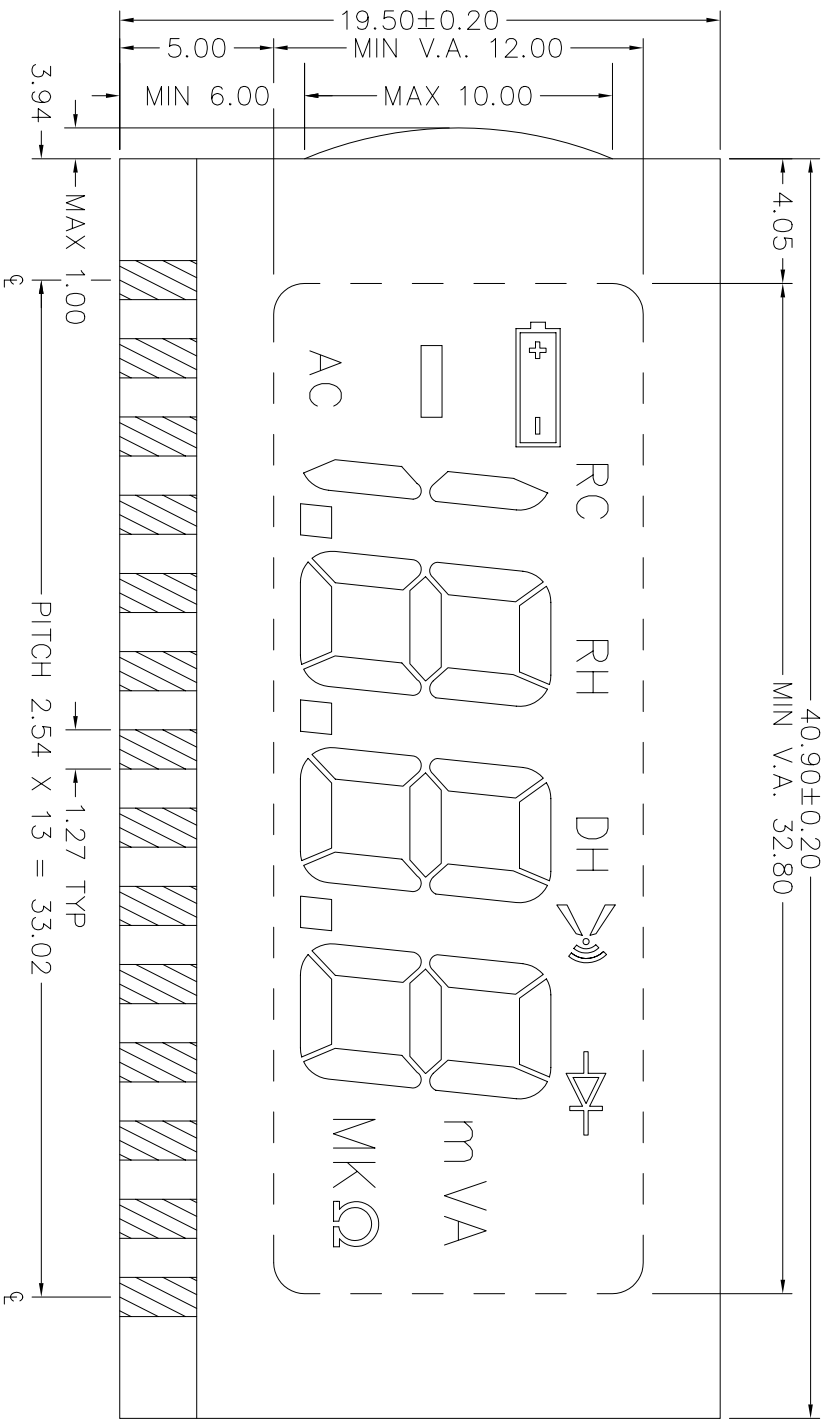


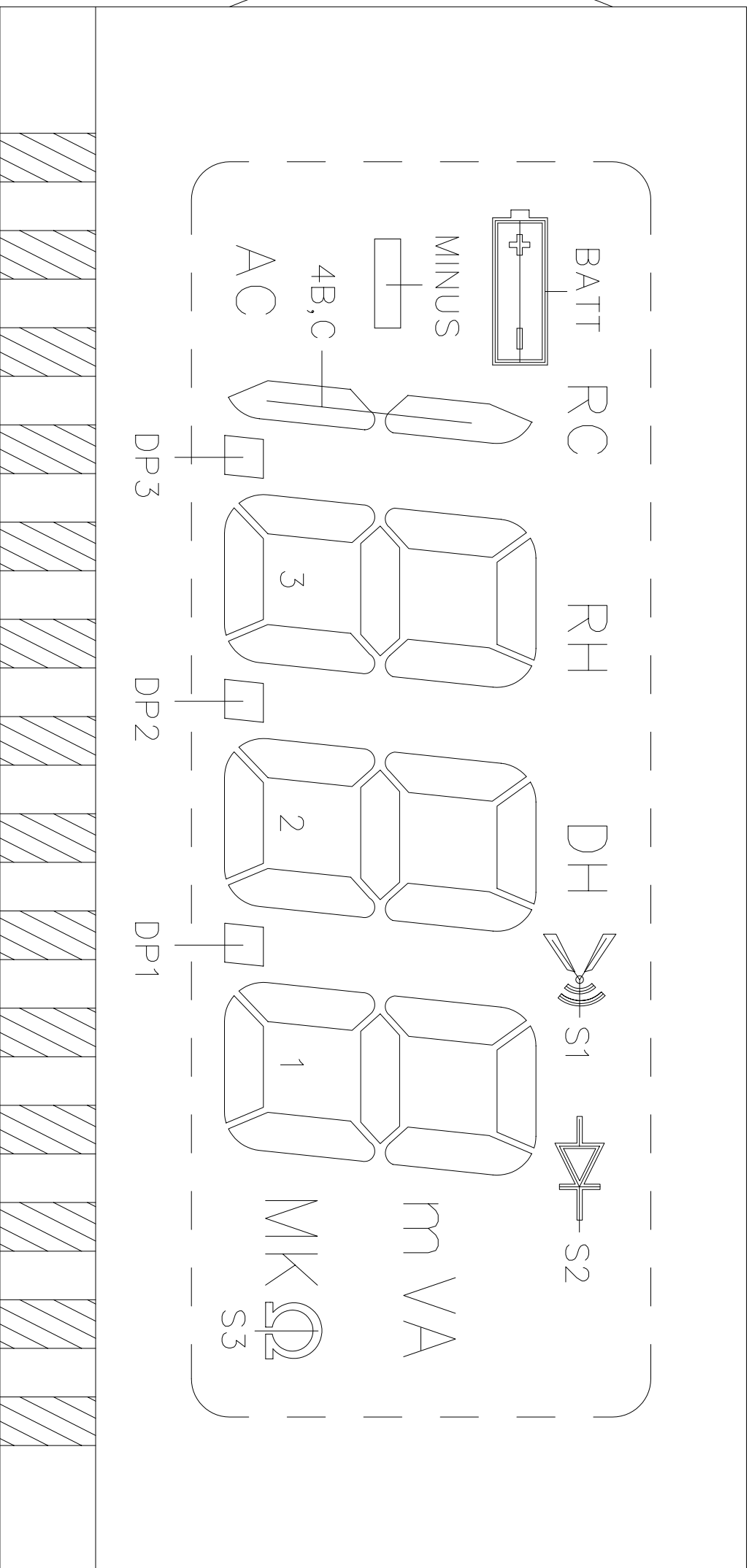
12 *



REMARKS : 1) * ----- REFER TO COVER PAGE
 ** ----- X.XX = 1.27 (FOR PIN LENGTH \geq 3.20 & \leq 10.00mm.)
 ** ----- X.XX = 0.875 (FOR PIN LENGTH $>$ 10.00 & \leq 19.50mm.)
 2) CHARACTER FONT = HELVETICA MEDIUM (HM)

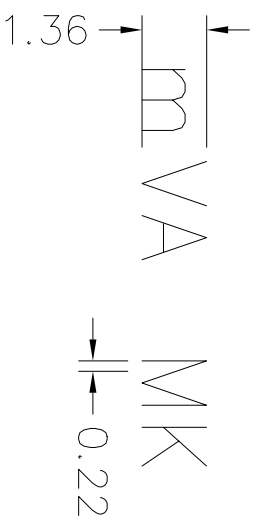
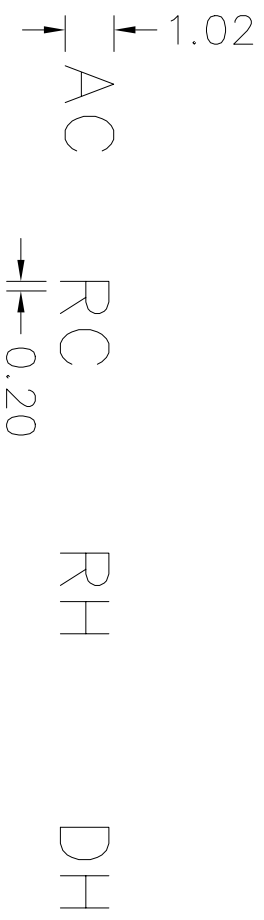
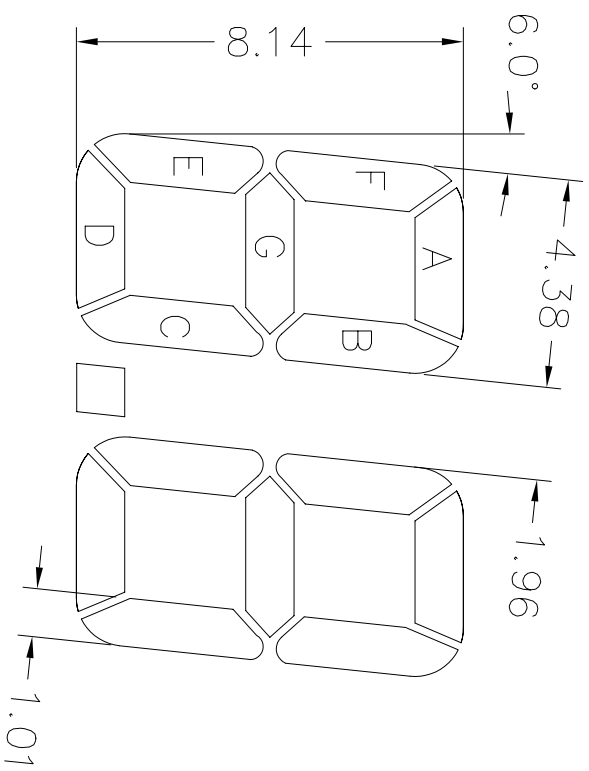
VARITRONIX LTD.		3 rd ANGLE PROJECTION	
Dimension : mm	TOL : ± 0.15 IF NOT SPECIFY	DD NOT SCALE DRAWING	
Drawn by : MAKD	Date : 98/11/05		
Checked by :	Date :		
DWG NO. : VIM-332-DP0	REV : 0		

DWG. NO.: VIM-332-DP (REV.0)

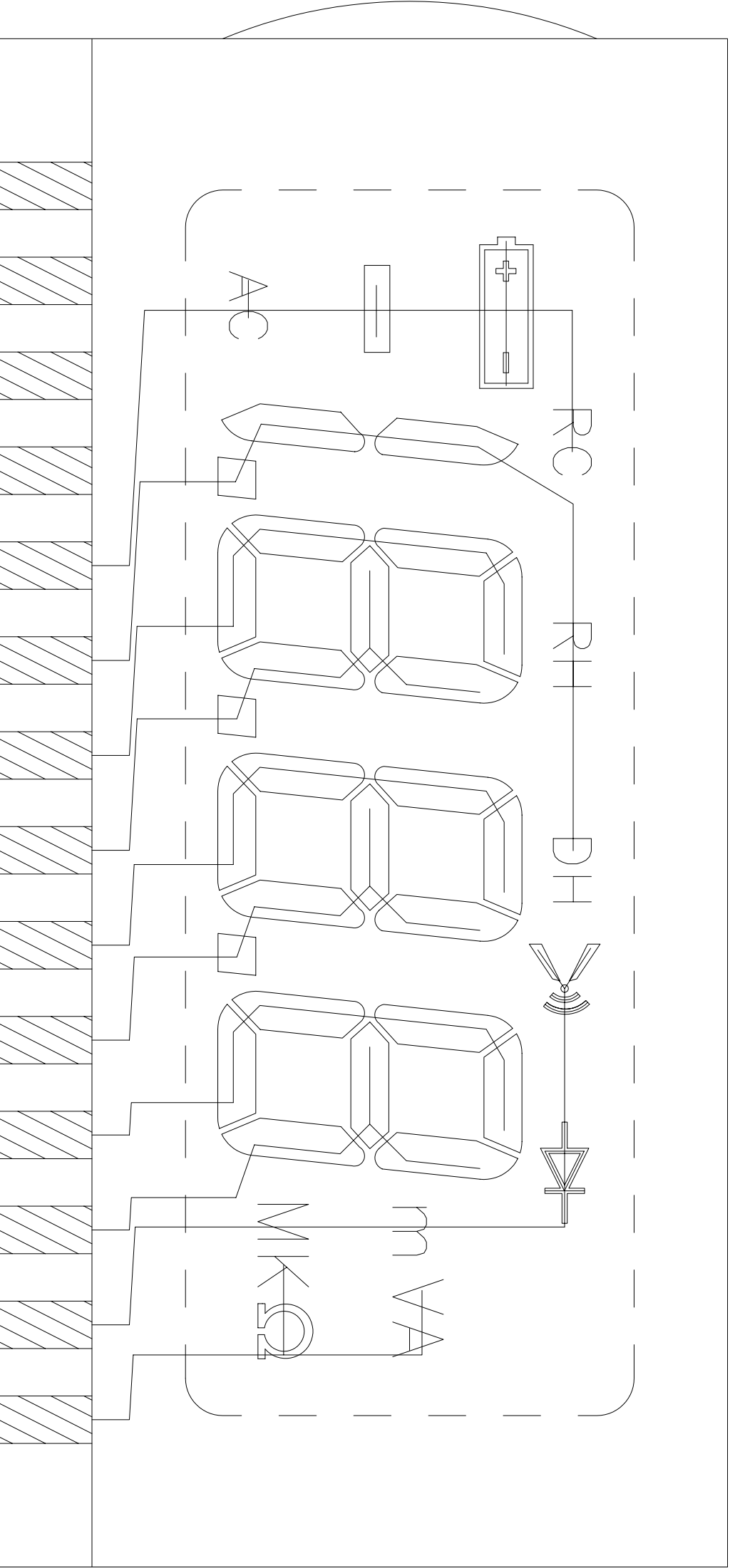


PIN1

PIN14



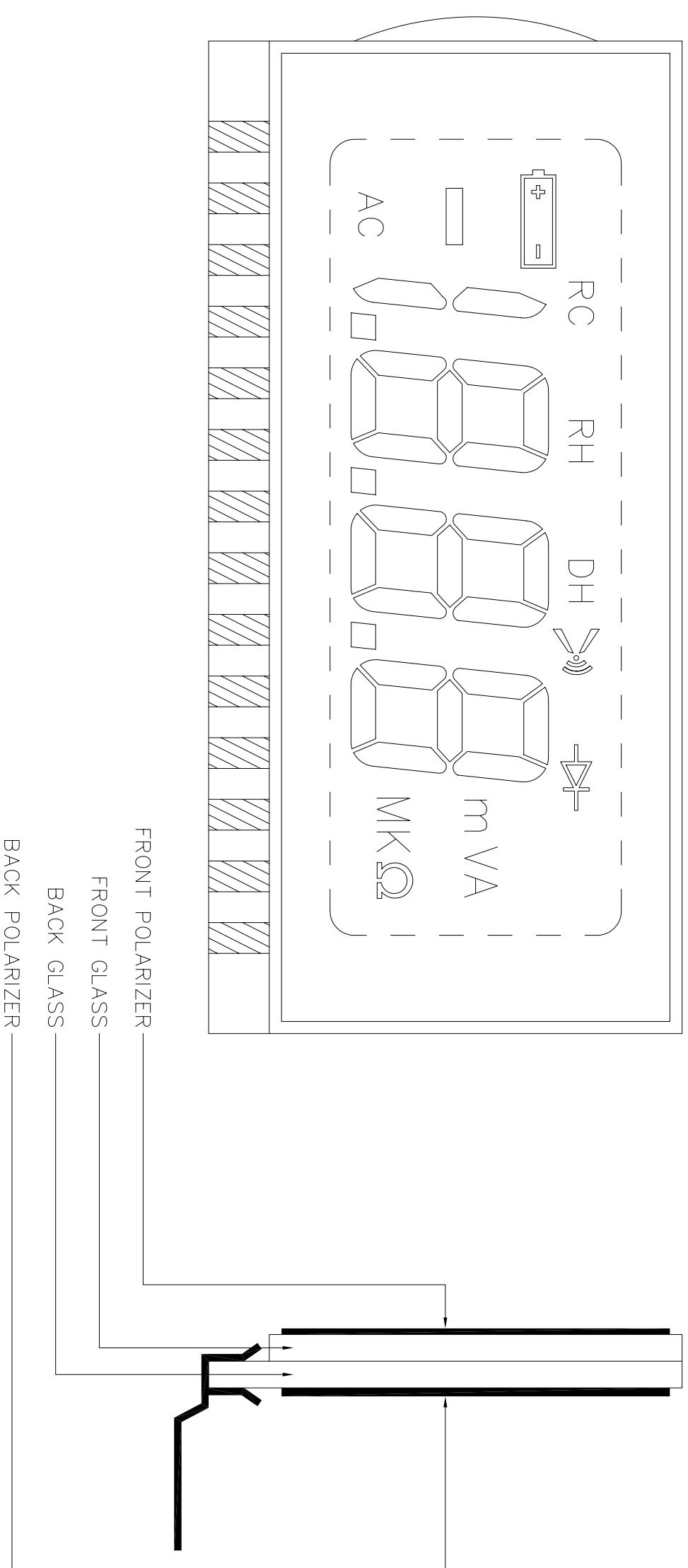
DWG. NO.: VIM-332-DP (REV.0)
SEGMENT TRACKING



PIN1

PIN14

DWG. NO.: VIM-332-DP (REV.0)



DWG. NO. : VIM-332-DP (REV.0)

PIN	COM1	COM2	COM3	COM4
1	COM1	----	----	----
2	----	COM2	----	----
3	----	----	COM3	----
4	----	----	----	COM4
5	RC	BATT	MINUS	AC
6	DH	RH	4B,C	DP3
7	3A	3F	3E	3D
8	3B	3G	3C	DP2
9	2A	2F	2E	2D
10	2B	2G	2C	DP1
11	1A	1F	1E	1D
12	1B	1G	1C	----
13	S1	S2	m	M
14	A	V	K	S3